



# T&S BRASS AND BRONZE WORKS, INC.

2 Saddleback Cove / P.O. Box 1088  
Travelers Rest, SC 29690



REG. #A2601  
ISO #9001

Model No.

**B-0693-POL**

Item No.

Travelers Rest, SC: 800-476-4103 Simi Valley, CA: 800-423-0150 Fax: 864-834-3518 www.tsbrass.com

This Space for Architect/Engineer Approval

Job Name \_\_\_\_\_ Date \_\_\_\_\_

Model Specified \_\_\_\_\_ Quantity \_\_\_\_\_

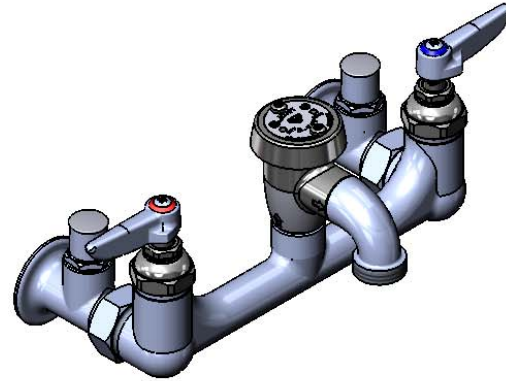
Customer/Wholesaler \_\_\_\_\_

Contractor \_\_\_\_\_

Architect/Engineer \_\_\_\_\_



**ADA Compliant**

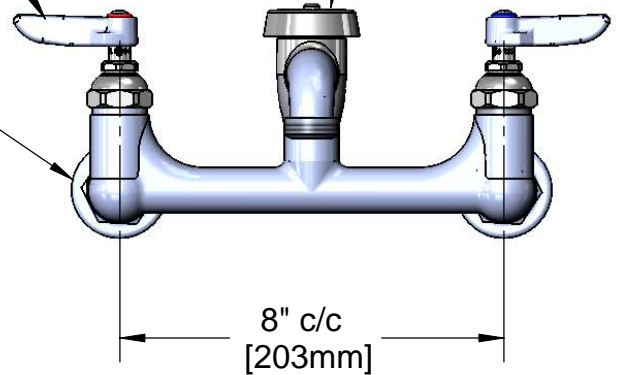
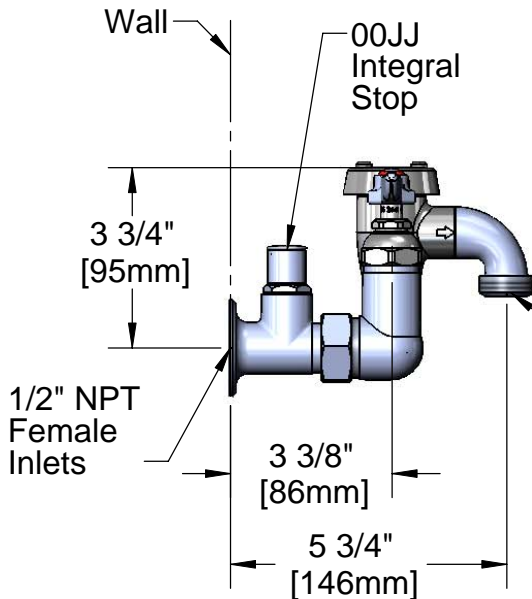


Hot & Cold  
Eterna Cartridges  
w/ Spring Checks  
& Lever Handles  
w/ Color Coded  
Indexes

B-0969  
1/2" Vacuum  
Breaker

Ø 2"  
[51mm]  
Flanges

Male Garden  
Hose Outlet



Product Specifications:

**Service Sink Faucet, Polished Chrome Finish, Lever  
Handles, 00JJ Integral Stops, Vacuum Breaker,  
1/2" NPT Female Inlets & Male Garden Hose Outlet**

Drawn  
KJG

Checked  
DMH

Approved  
JHB

Scale:

1:4

Date:

04/26/10



**T&S BRASS AND BRONZE WORKS, INC.**

2 Saddleback Cove / P.O. Box 1088  
Travelers Rest, SC 29690



REG. #A2601  
ISO #9001

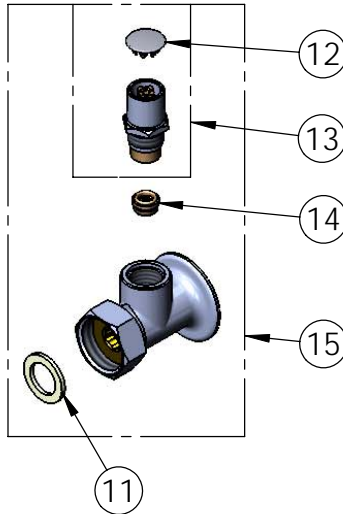
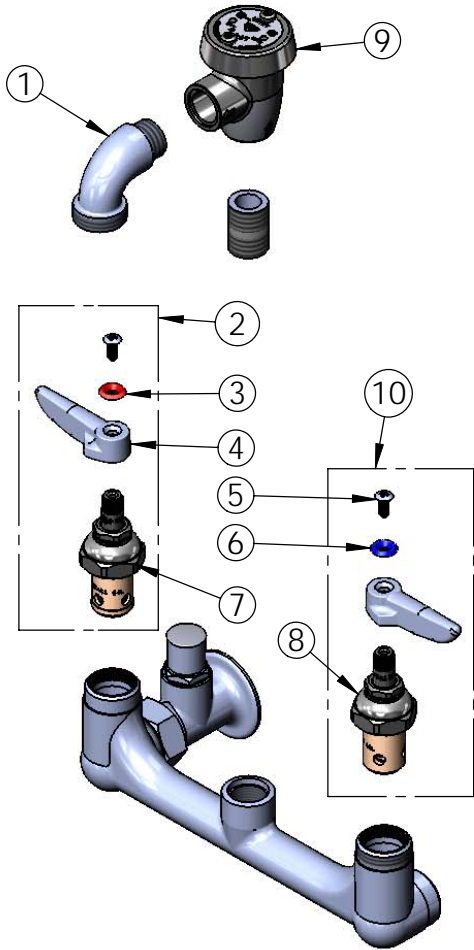
Model No.

**B-0693-POL**

Item No.

Travelers Rest, SC: 800-476-4103 Simi Valley, CA: 800-423-0150 Fax: 864-834-3518 www.tsbrass.com

ITEM NO.	SALES NO.	DESCRIPTION
1	001618-40	Spout, Short
2	002712-40	Hot Eterna Spindle Assembly w/ Spring Check, Handle, Index & Screw
3	001661-45	Red Index-HW
4	001638-45	Lever Handle
5	000922-45	Lever Handle Screw
6	001660-45	Blue Index-CW
7	012443-40	Hot Eterna Spindle Assembly w/ Spring Check
8	012442-40	Cold Eterna Spindle Assembly w/ Spring Check
9	B-0969	Vacuum Breaker, 1/2"
10	002711-40	Cold Eterna Spindle Assembly w/ Spring Check, Handle, Index & Screw
11	001019-45	Coupling Nut Washer
12	001605-45	Cap
13	002892-40	Spindle Asm w/ Cap
14	000763-20	Seat
15	00JJ	Flange w/ Integral Stop Asm, 1/2" NPT Female Inlet



Product Specifications:

Service Sink Faucet, Polished Chrome Finish, Lever Handles, 00JJ Integral Stops, Vacuum Breaker, 1/2" NPT Female Inlets & Male Garden Hose Outlet

Drawn <b>KJG</b>	Checked <b>DMH</b>	Approved <b>JHB</b>
Scale: <b>1:4</b>		Date: <b>04/26/10</b>