



T&S BRASS AND BRONZE WORKS, INC.
 2 Saddleback Cove / P.O. Box 1088
 Travelers Rest, SC 29690

Model No.

B-0695-ST

Item No.

Travelers Rest, SC: 800-476-4103 • Simi Valley, CA: 800-423-0150 • Fax: 864-834-3518 • www.tsbrass.com

This Space for Architect/Engineer Approval

Job Name _____ Date _____

Model Specified _____ Quantity _____

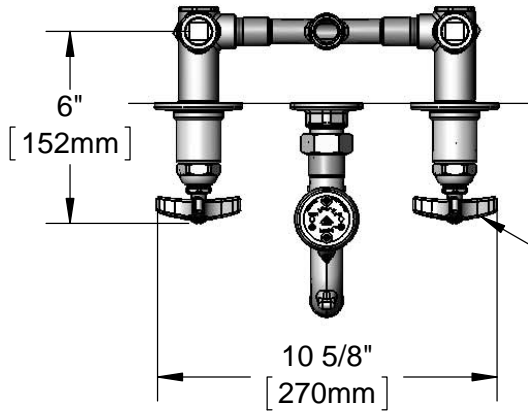
Customer/Wholesaler _____

Contractor _____

Architect/Engineer _____

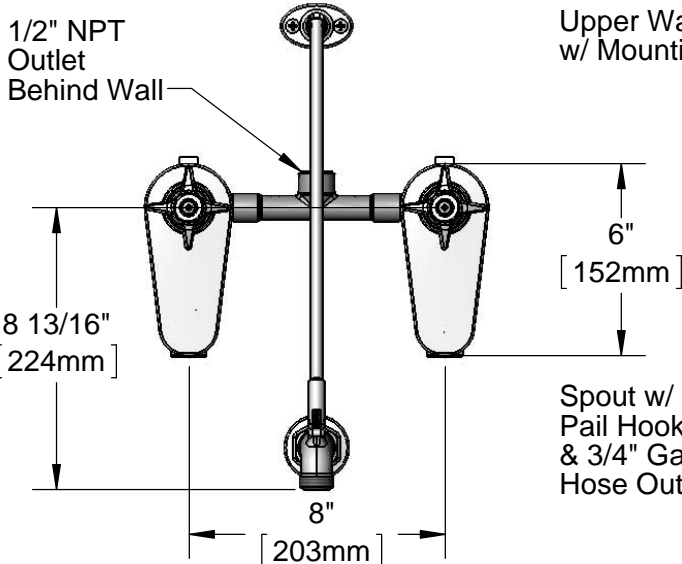
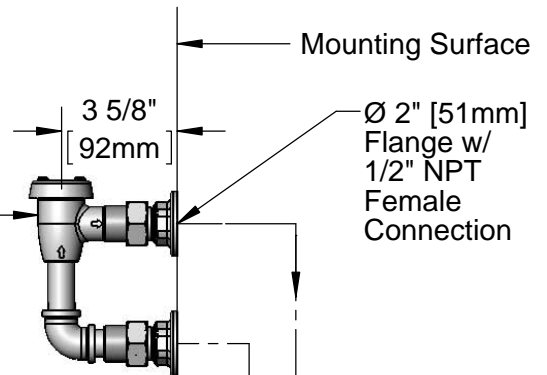
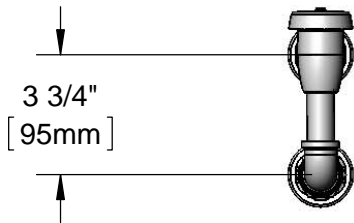


ADA Compliant



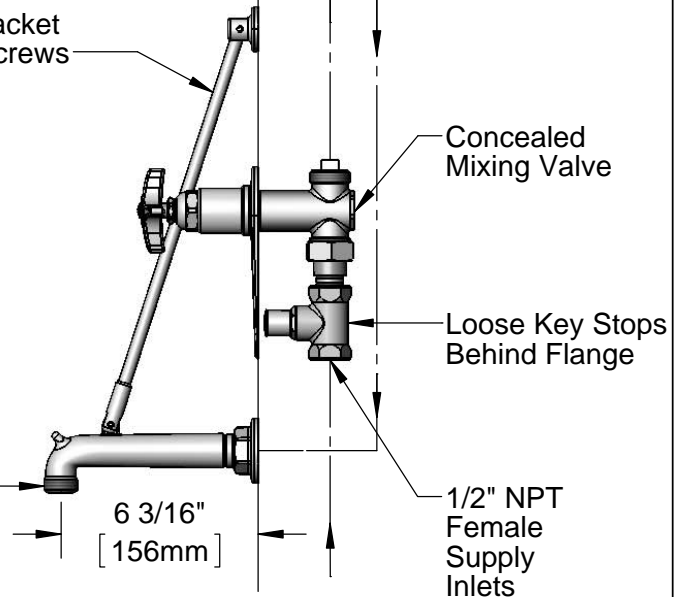
Eterna Cartridges &
 4-Arm Handle w/
 Color Coded Indexes

B-0969
 1/2" NPT
 Vacuum
 Breaker



Upper Wall Bracket
 w/ Mounting Screws

Spout w/
 Pail Hook
 & 3/4" Garden
 Hose Outlet



Rough-In Requirement:
 (2) ϕ 1 1/2" [38mm] Mounting Holes

Product Specifications:
 8" Wall Mount Sevice Sink w/ Concealed Mixing Valve,
 Eterna Cartridges, 4-Arm Handles, Loose Key Stops, Elevated
 Vacuum Breaker, Upper Wall Bracket & 1/2" Female Inlets/Outlets

Drawn

DHL

Checked

DMH

Approved

JHB

Scale:

1:6

Date:

11/02/12



T&S BRASS AND BRONZE WORKS, INC.

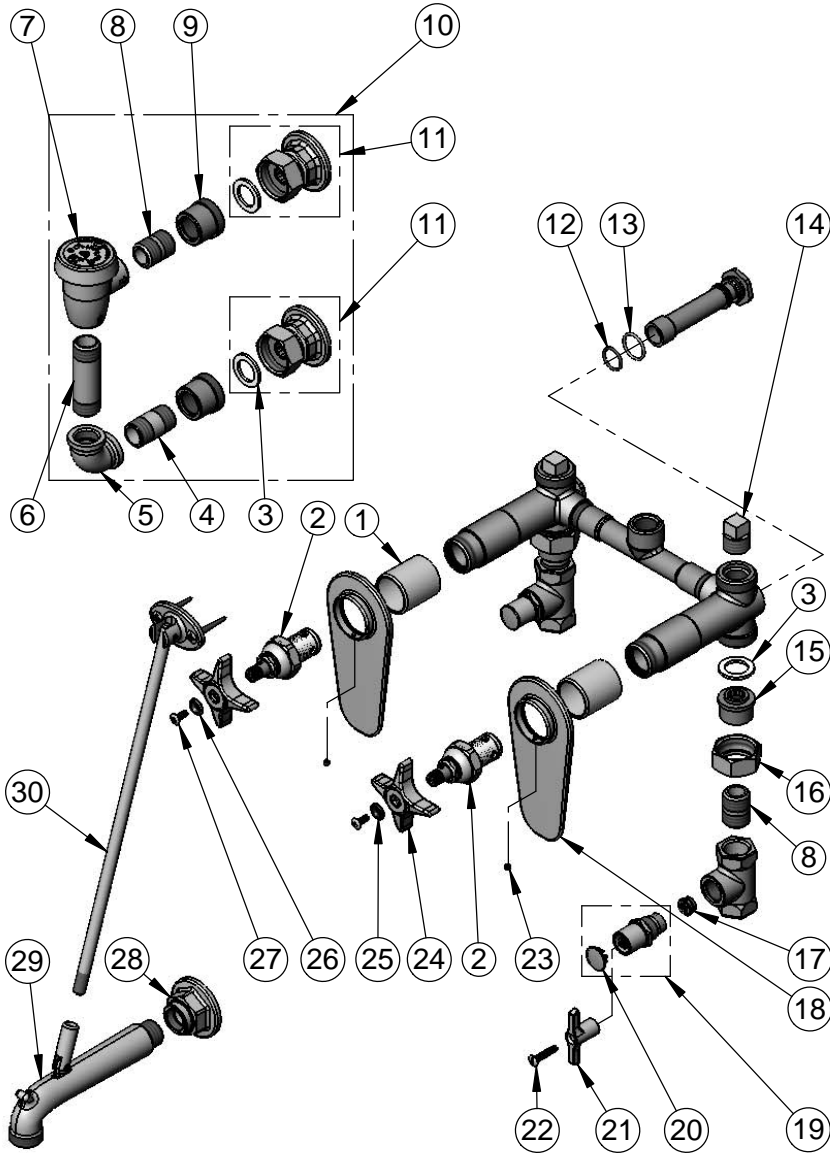
2 Saddleback Cove / P.O. Box 1088
Travelers Rest, SC 29690

Model No.

B-0695-ST

Item No.

Travelers Rest, SC: 800-476-4103 • Simi Valley, CA: 800-423-0150 • Fax: 864-834-3518 • www.tsbrass.com



ITEM NO.	SALES NO.	DESCRIPTION
1	151F	Escutcheon Tube
2	005960-40	Eterna Cartridge, RTC
3	001019-45	Coupling Nut Washer
4	001509-40	Nipple, 1/2" NPT x 1 1/2"
5	001357-40	1/2" NPT Elbow
6	001510-40	Nipple, 1/2" NPT x 2 5/8"
7	B-0969	1/2" NPT Vacuum Breaker
8	002534-25	Close Nipple, 1/2" x 1 5/32" Lg Rough Chrome
9	000870-40	Union, Male Half
10	B-0929-A	1/2" NPT Atmospheric Vacuum Breaker
11	00AA	1/2" NPT Eccentric Female Flange
12	001062-45	O-Ring
13	001702-45	O-Ring
14	001347-20	1/2" NPT Plug
15	153F	Union Half, 1/2 NPT w/ Washer
16	000721-25	Flange Coupling Nut
17	000763-20	Seat
18	002820-40	Tear-Drop Escutcheon
19	002892-40	Stop Spindle w/ Cap
20	001605-45	Cap
21	001802-45	Handle, Supply Stop "T"
22	002432-45	Screw, Tee Handle
23	000939-45	Escutcheon, Set Screw
24	002521-45	4-Arm Handle
25	001660-45	Blue Index-CW
26	001661-45	Red Index-HW
27	000922-45	Lever Handle Screw
28	000013-40	Flange, 1/2" NPT Wall Mount
29	009545-40	Nozzle w/ Upper Clevis & Pail Hook
30	009546-40	Upper Support Rod

Product Specifications:

8" Wall Mount Service Sink w/ Concealed Mixing Valve, Eterna Cartridges, 4-Arm Handles, Loose Key Stops, Elevated Vacuum Breaker, Upper Wall Bracket & 1/2" Female Inlets/Outlets

Drawn

DHL

Checked

DMH

Approved

JHB

Scale:

NTS

Date:

11/02/12