



T&S BRASS AND BRONZE WORKS, INC.

2 Saddleback Cove / P.O. Box 1088
Travelers Rest, SC 29690

Model No.

B-0710

Item No.

Travelers Rest, SC: 800-476-4103 • Simi Valley, CA: 800-423-0150 • Fax: 864-834-3518 • www.tsbrass.com



ADA Compliant

This Space for Architect/Engineer Approval

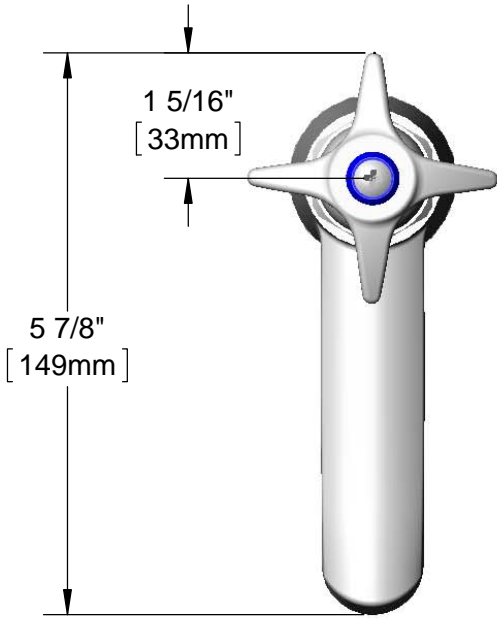
Job Name _____ Date _____

Model Specified _____ Quantity _____

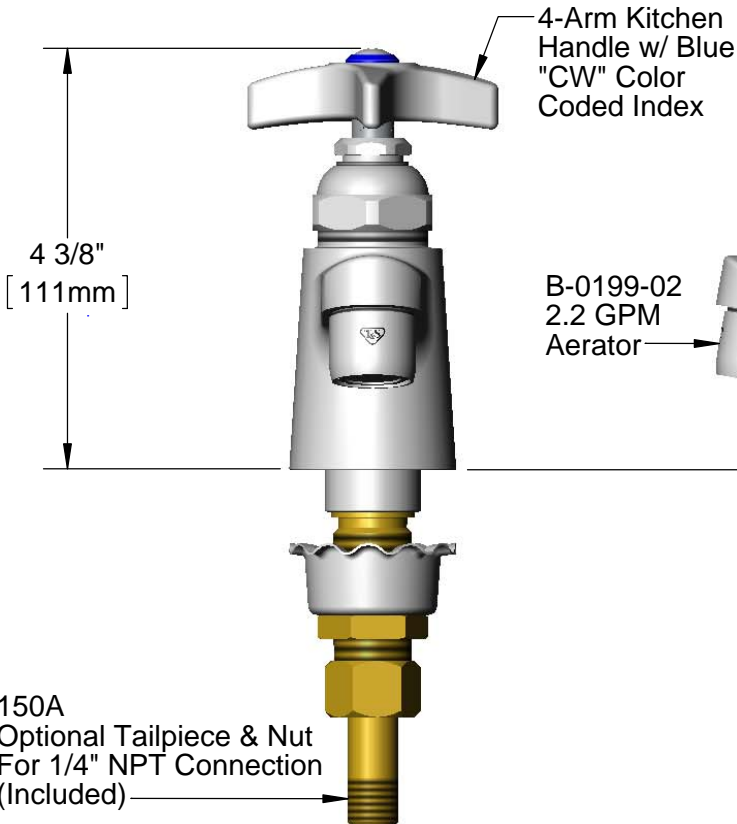
Customer/Wholesaler _____

Contractor _____

Architect/Engineer _____



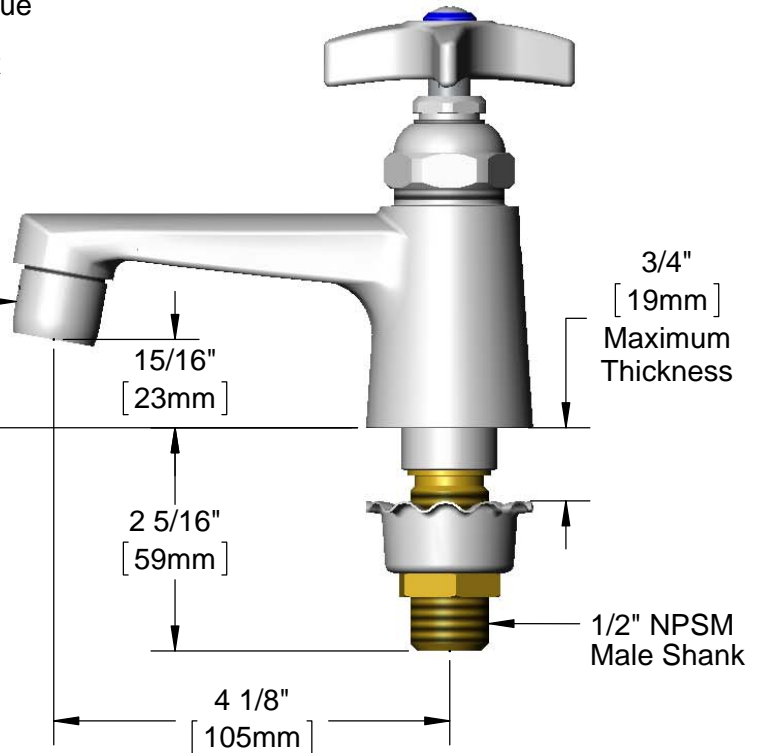
5 7/8"
[149mm]



4-Arm Kitchen Handle w/ Blue "CW" Color Coded Index

B-0199-02
2.2 GPM
Aerator

150A
Optional Tailpiece & Nut
For 1/4" NPT Connection
(Included)



3/4"
[19mm]
Maximum
Thickness

1/2" NPSM
Male Shank

Rough-In Requirement:
Ø 1 1/8" [29mm] Mounting Hole

Product Specifications:
Single Hole, Single Temperature Basin Faucet, 4-Arm Handle,
2.2 GPM Aerator & 1/2" NPSM Male Shank Inlet

Drawn

DHL

Checked

JRM

Approved

JHB

Scale:

1:2

Date:

03/18/13

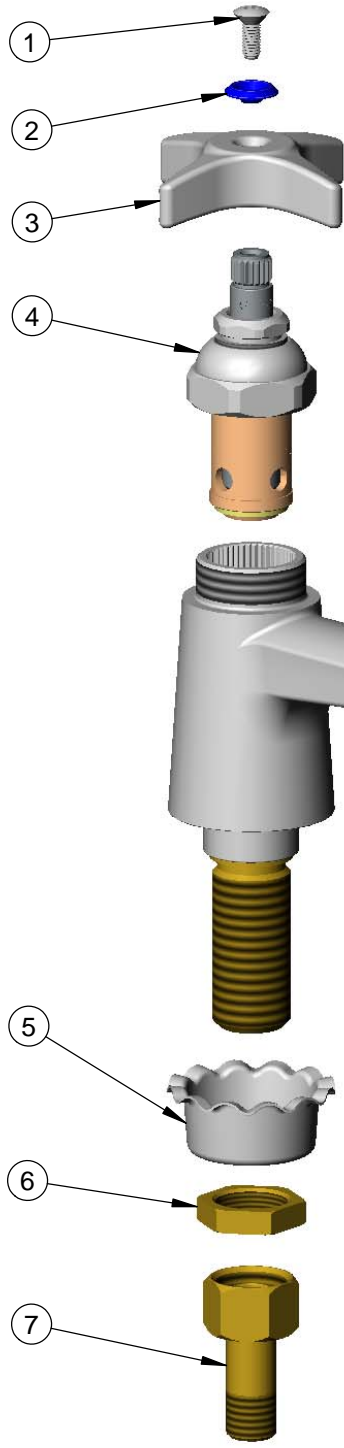


T&S BRASS AND BRONZE WORKS, INC.
 2 Saddleback Cove / P.O. Box 1088
 Travelers Rest, SC 29690

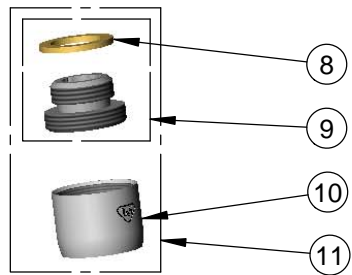
Model No.
B-0710

Item No.

Travelers Rest, SC: 800-476-4103 • Simi Valley, CA: 800-423-0150 • Fax: 864-834-3518 • www.tsbrass.com



ITEM NO.	SALES NO.	DESCRIPTION
1	000922-45	Lever Handle Screw
2	001660-45	Blue Index-CW
3	002521-45	4-Arm Handle
4	005960-40	Eterna Cartridge, RTC
5	001000-45	Rosette Washer
6	002954-45	Shank Lock Nut
7	150A	1/4" NPT Tailpiece & Nut
8	001043-45	Washer
9	044A	3/8" to Aerator Adapter w/ Washer
10	B-0199-01	2.2 GPM Aerator, 55/64"-27 UN Female
11	B-0199-02	2.2 GPM Aerator, 3/8" NPSM Male



Product Specifications:
 Single Hole, Single Temperature Basin Faucet, 4-Arm Handle,
 2.2 GPM Aerator & 1/2" NPSM Male Shank Inlet

Drawn DHL	Checked JRM	Approved JHB
Scale: NTS		Date: 03/18/13