



**T&S BRASS AND BRONZE WORKS, INC.**

2 Saddleback Cove / P.O. Box 1088  
 Travelers Rest, SC 29690



REG. #A2601  
 ISO #9001

Model No.

**B-0720**

Item No.

Travelers Rest, SC: 800-476-4103 • Simi Valley, CA: 800-423-0150 • Fax: 864-834-3518 • www.tsbrass.com

This Space for Architect/Engineer Approval

Job Name \_\_\_\_\_ Date \_\_\_\_\_

Model Specified \_\_\_\_\_ Quantity \_\_\_\_\_

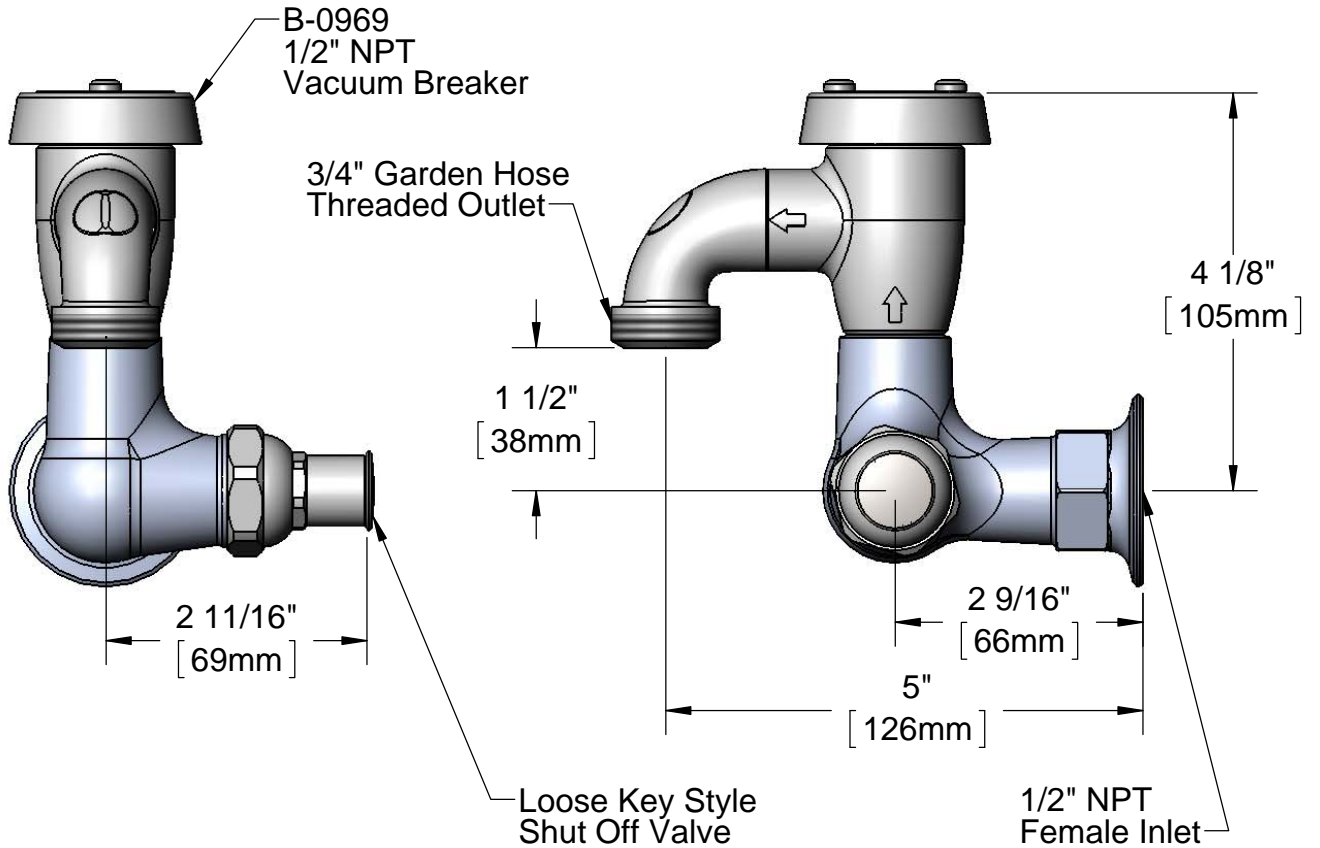
Customer/Wholesaler \_\_\_\_\_

Contractor \_\_\_\_\_

Architect/Engineer \_\_\_\_\_



Supplied w/ T-Handle  
 & Mounting Screw



Product Specifications:  
 Sill Faucet w/ 1/2" NPT Vacuum Breaker, 3/4" Garden Hose Outlet,  
 Polished Chrome Finish & 1/2" Female Inlet

Drawn <b>DHL</b>	Checked <b>DMH</b>	Approved <b>JHB</b>
Scale: <b>1:2</b>		Date: <b>07/26/11</b>



**T&S BRASS AND BRONZE WORKS, INC.**

2 Saddleback Cove / P.O. Box 1088  
Travelers Rest, SC 29690



REG. #A2601  
ISO #9001

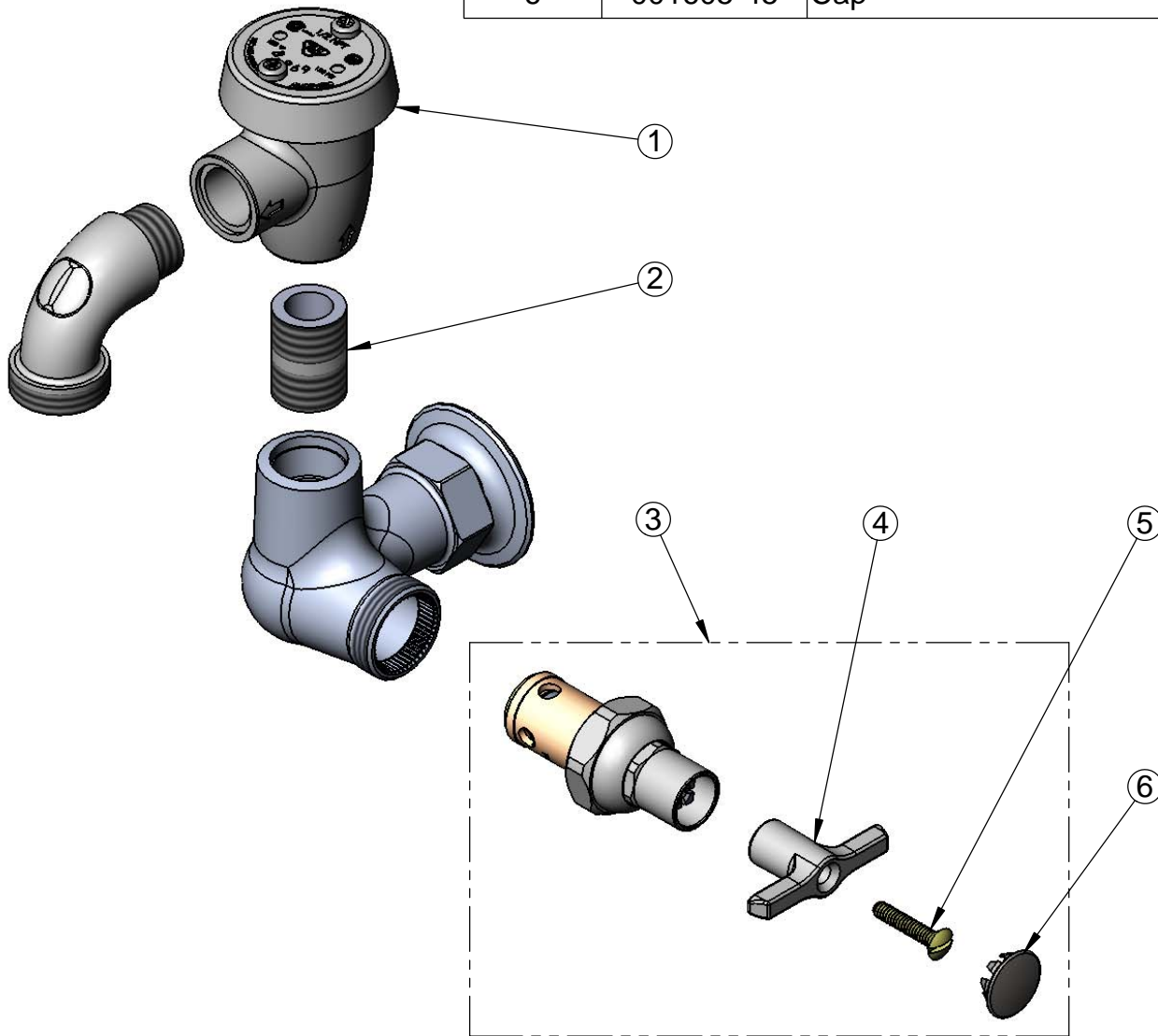
Model No.

**B-0720**

Item No.

Travelers Rest, SC: 800-476-4103 • Simi Valley, CA: 800-423-0150 • Fax: 864-834-3518 • www.tsbrass.com

ITEM NO.	SALES NO.	DESCRIPTION
1	B-0969	Atmospheric Vacuum Breaker, 1/2" NPT Inlet & Outlet
2	002534-25	Close Nipple, 1/2" x 1 5/32" Lg Rough Chrome
3	124A	Spindle Assembly, Supplied w/ Loose Key T-Handle & Mounting Screw
4	001802-45	Handle, Supply Stop "T"
5	002432-45	Screw, Tee Handle
6	001605-45	Cap



Product Specifications:

Sill Faucet w/ 1/2" NPT Vacuum Breaker, 3/4" Garden Hose Outlet, Polished Chrome Finish & 1/2" Female Inlet

Drawn

**DHL**

Checked

**DMH**

Approved

**JHB**

Scale:

**NTS**

Date:

**07/26/11**