



**T&S BRASS AND BRONZE WORKS, INC.**  
 2 Saddleback Cove / P.O. Box 1088  
 Travelers Rest, SC 29690

Model No.  
**B-0736-POL**

Item No.

Travelers Rest, SC: 800-476-4103 • Simi Valley, CA: 800-423-0150 • Fax: 864-834-3518 • www.tsbrass.com

This Space for Architect/Engineer Approval

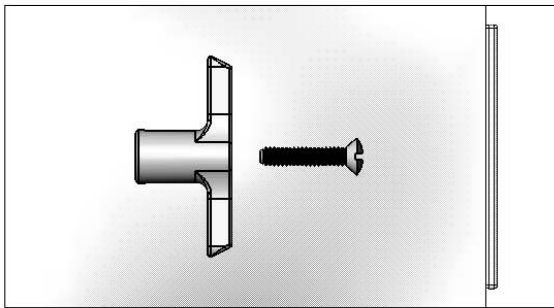
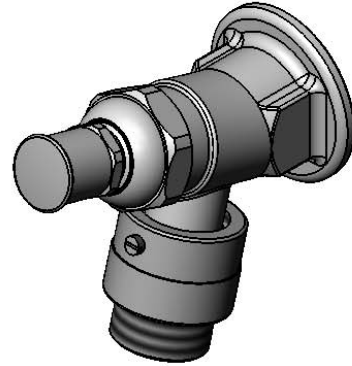
Job Name \_\_\_\_\_ Date \_\_\_\_\_

Model Specified \_\_\_\_\_ Quantity \_\_\_\_\_

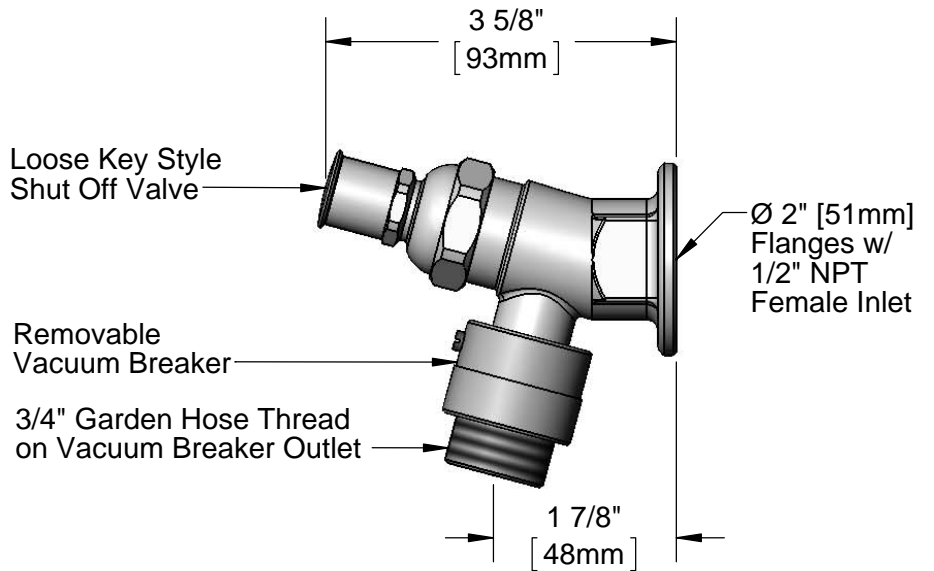
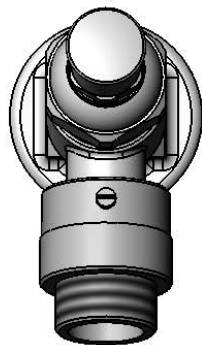
Customer/Wholesaler \_\_\_\_\_

Contractor \_\_\_\_\_

Architect/Engineer \_\_\_\_\_



T-Handle Kit w/ Mounting Screw  
 For Supply Stop



Product Specifications:  
 Polish Chrome Sill Faucet w/ Loose Key Style Shut Off Valve,  
 3/4" Garden Hose Thread on Removable Vacuum Breaker Outlet  
 & 1/2" Female Inlet

Drawn

DHL

Checked

DMH

Approved

JHB

Scale:

1:2

Date:

08/29/12



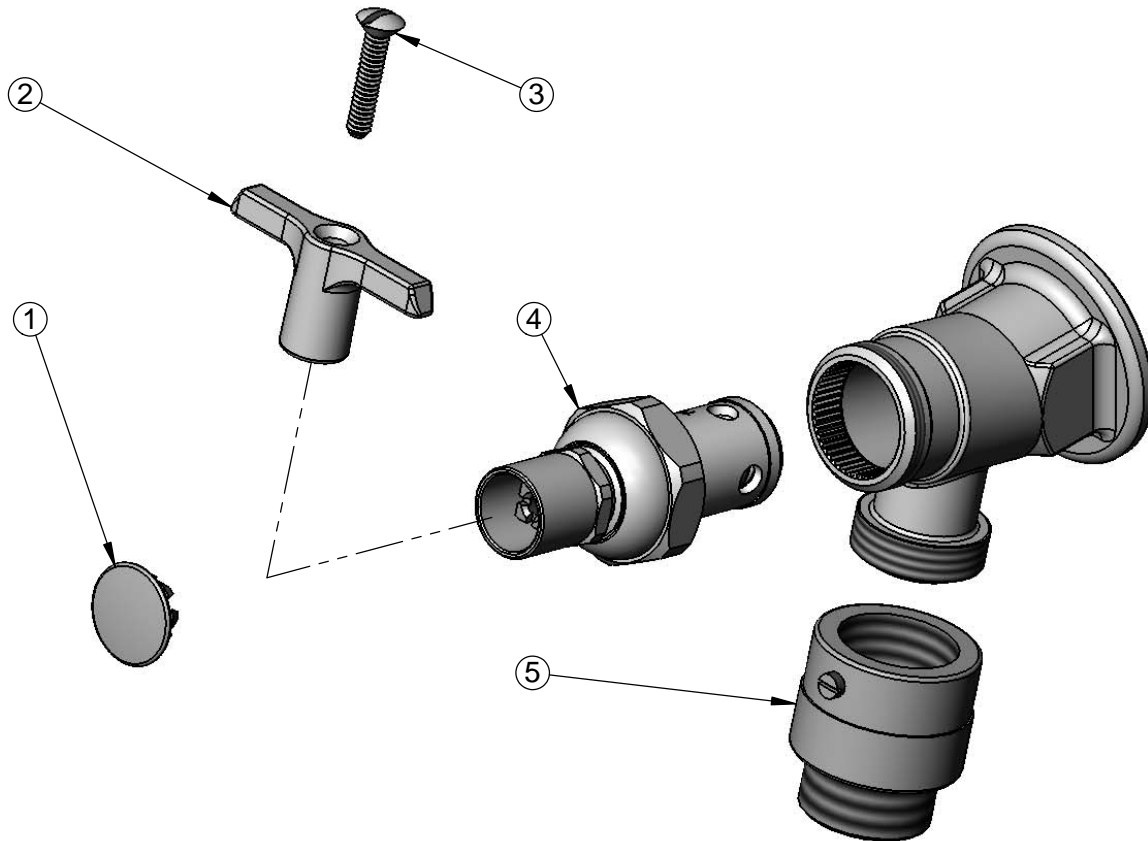
**T&S BRASS AND BRONZE WORKS, INC.**  
 2 Saddleback Cove / P.O. Box 1088  
 Travelers Rest, SC 29690

Model No.  
**B-0736-POL**

Item No.

Travelers Rest, SC: 800-476-4103 • Simi Valley, CA: 800-423-0150 • Fax: 864-834-3518 • www.tsbrass.com

ITEM NO.	SALES NO.	DESCRIPTION
1	001605-45	Cap
2	001802-45	Supply Stop T-Handle
3	002432-45	Loose Key Handle Mounting Screw
4	124A	Loose Key Spindle, RTC w/ T-Handle & Screw
5	B-0972	3/4" Garden Hose Thread Atmospheric, Non-Continuous Vacuum Breaker



Product Specifications:  
 Polish Chrome Sill Faucet w/ Loose Key Style Shut Off Valve,  
 3/4" Garden Hose Thread on Removable Vacuum Breaker Outlet  
 & 1/2" Female Inlet

Drawn <b>DHL</b>	Checked <b>DMH</b>	Approved <b>JHB</b>
Scale: <b>NTS</b>		Date: <b>08/29/12</b>