



T&S BRASS AND BRONZE WORKS, INC.
 2 Saddleback Cove / P.O. Box 1088
 Travelers Rest, SC 29690

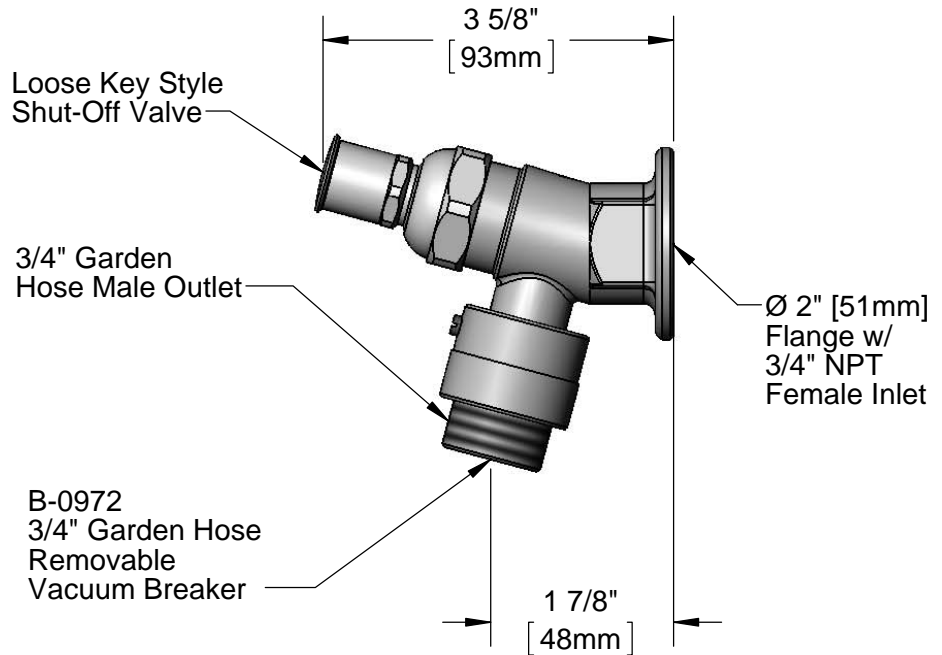
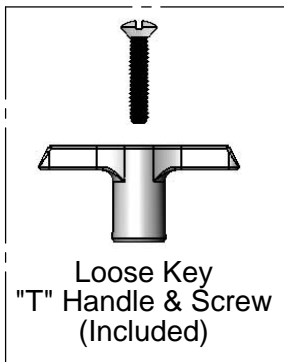
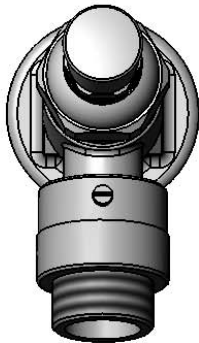
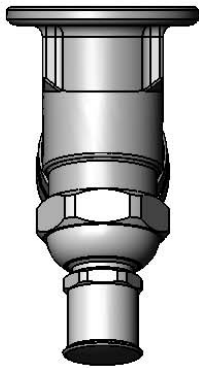
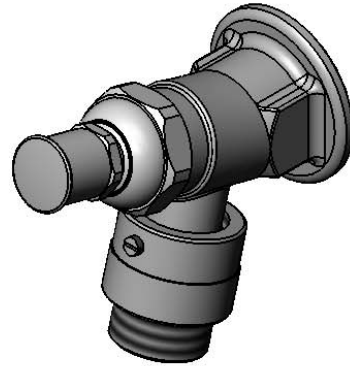
Model No.
B-0737

Item No.

Travelers Rest, SC: 800-476-4103 • Simi Valley, CA: 800-423-0150 • Fax: 864-834-3518 • www.tsbrass.com

This Space for Architect/Engineer Approval

Job Name _____ Date _____
 Model Specified _____ Quantity _____
 Customer/Wholesaler _____
 Contractor _____
 Architect/Engineer _____



Product Specifications:
 Single Hole Single Temp Wall Mount Rough Chrome Sill Faucet,
 Loose Key Style Shut-Off, Removable Vacuum Breaker
 w/ 3/4" Garden Hose Male Outlet & 3/4" Flanged Female Inlet

Drawn DHL	Checked DMH	Approved JHB
Scale: 1:2		Date: 11/02/12



T&S BRASS AND BRONZE WORKS, INC.

2 Saddleback Cove / P.O. Box 1088
Travelers Rest, SC 29690

Model No.

B-0737

Item No.

Travelers Rest, SC: 800-476-4103 • Simi Valley, CA: 800-423-0150 • Fax: 864-834-3518 • www.tsbrass.com

ITEM NO.	SALES NO.	DESCRIPTION
1	001605-45	Cap
2	124A	Loose Key Stop Spindle, RTC w/ "T" Handle & Mounting Screw
3	001802-45	Handle, Supply Stop "T"
4	002432-45	Screw, Tee Handle
5	B-0972	Vacuum Breaker, 3/4" Garden Hose



Product Specifications:

Single Hole Single Temp Wall Mount Rough Chrome Sill Faucet,
Loose Key Style Shut-Off, Removable Vacuum Breaker
w/ 3/4" Garden Hose Male Outlet & 3/4" Flanged Female Inlet

Drawn

DHL

Checked

DMH

Approved

JHB

Scale:

NTS

Date:

11/02/12