



# T&S BRASS AND BRONZE WORKS, INC.

2 Saddleback Cove / P.O. Box 1088  
Travelers Rest, SC 29690

Model No.

**B-0805-VR**

Item No.

Travelers Rest, SC: 800-476-4103 • Simi Valley, CA: 800-423-0150 • Fax: 864-834-3518 • www.tsbrass.com



**ADA Compliant**

This Space for Architect/Engineer Approval

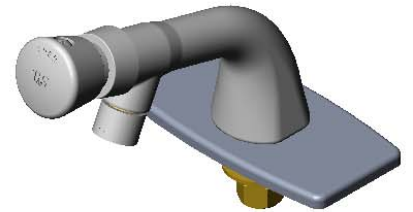
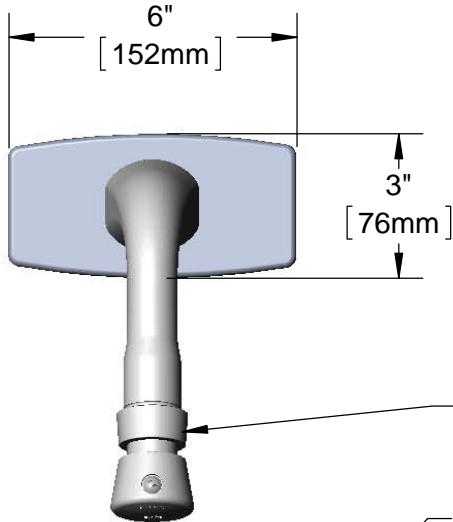
Job Name \_\_\_\_\_ Date \_\_\_\_\_

Model Specified \_\_\_\_\_ Quantity \_\_\_\_\_

Customer/Wholesaler \_\_\_\_\_

Contractor \_\_\_\_\_

Architect/Engineer \_\_\_\_\_



Metering Cartridge  
(Requires 3/32" Hex Key for Adjustment)

Blank Push Button  
Cap & Spanner Bit

Polish Chrome Plated  
Solid Brass Deck Plate

B-0199-07  
2.2 GPM VR  
Aerator w/ Key

3/4"  
[19mm]  
Maximum  
Thickness

Mounting Surface

1/2" NPSM  
Male Inlet w/  
Coupling Nut

5/16"  
[8mm]

4"  
[102mm]

∅ 1" [25mm]  
Locking Studs

1 15/16"  
[50mm]

6 9/16"  
[167mm]

5 5/16"  
[135mm]

4 5/16"  
[110mm]

**Rough-In Requirement:**  
Center Shank - ∅ 1 1/4" [32mm] Mounting Hole  
Posts - (2) ∅ 1 1/8" [29mm] Mounting Holes

**Product Specifications:**  
Single Temperature Deck Mount Faucet, Push Button Metering Cartridge, 2.2 GPM VR Aerator, Chrome Plated Forged VR Deck Plate & 1/2" NPSM Male Inlet

Drawn

**KJG**

Checked

**DHL**

Approved

**JHB**

Scale:

**1:4**

Date:

**03/18/13**



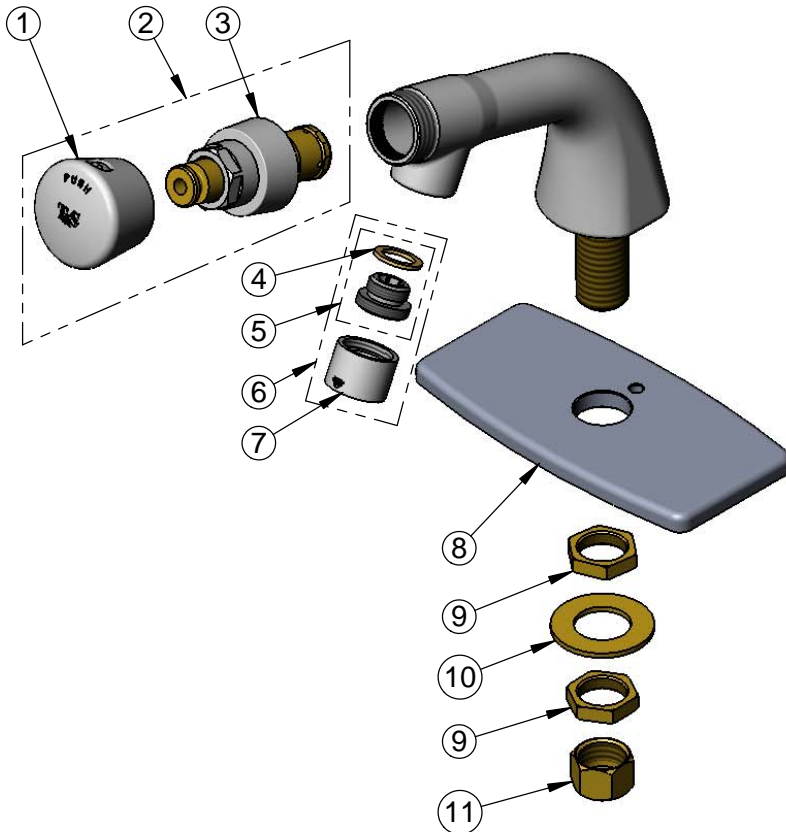
**T&S BRASS AND BRONZE WORKS, INC.**  
 2 Saddleback Cove / P.O. Box 1088  
 Travelers Rest, SC 29690

Model No.  
**B-0805-VR**

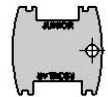
Item No.

Travelers Rest, SC: 800-476-4103 • Simi Valley, CA: 800-423-0150 • Fax: 864-834-3518 • www.tsbrass.com

ITEM NO.	SALES NO.	DESCRIPTION
1	014193-40	Blank Push Button Cap w/ Spanner Bit
2	238AB	Metering Cartridge w/ Blank Push Button Cap & Spanner Bit
3	238A	Push Button Metering Cartridge
4	001043-45	Washer
5	044A	3/8" to Aerator Adapter
6	B-0199-07	VR 2.2 GPM Aerator, 3/8" NPSM Male w/ Key
7	B-0199-06	VR 2.2 GPM Aerator, 55/64"-27 UN Female w/ Key
8	013657-40	Forged Deck Plate
9	002954-45	Shank Lock Nut
10	000999-45	Brass Lock Washer
11	000958-20	Coupling Nut



014734-45  
Spanner Bit



015425-45  
Vandal Resistant Key

Product Specifications:  
 Single Temperature Deck Mount Faucet, Push Button Metering Cartridge, 2.2 GPM VR Aerator, Chrome Plated Forged VR Deck Plate & 1/2" NPSM Male Inlet

Drawn <b>KJG</b>	Checked <b>DHL</b>	Approved <b>JHB</b>
Scale: <b>NTS</b>		Date: <b>03/18/13</b>