



T&S BRASS AND BRONZE WORKS, INC.
 2 Saddleback Cove / P.O. Box 1088
 Travelers Rest, SC 29690

Model No.
B-0806

Item No.

Travelers Rest, SC: 800-476-4103 • Simi Valley, CA: 800-423-0150 • Fax: 864-834-3518 • www.tsbrass.com

This Space for Architect/Engineer Approval

Job Name _____ Date _____

Model Specified _____ Quantity _____

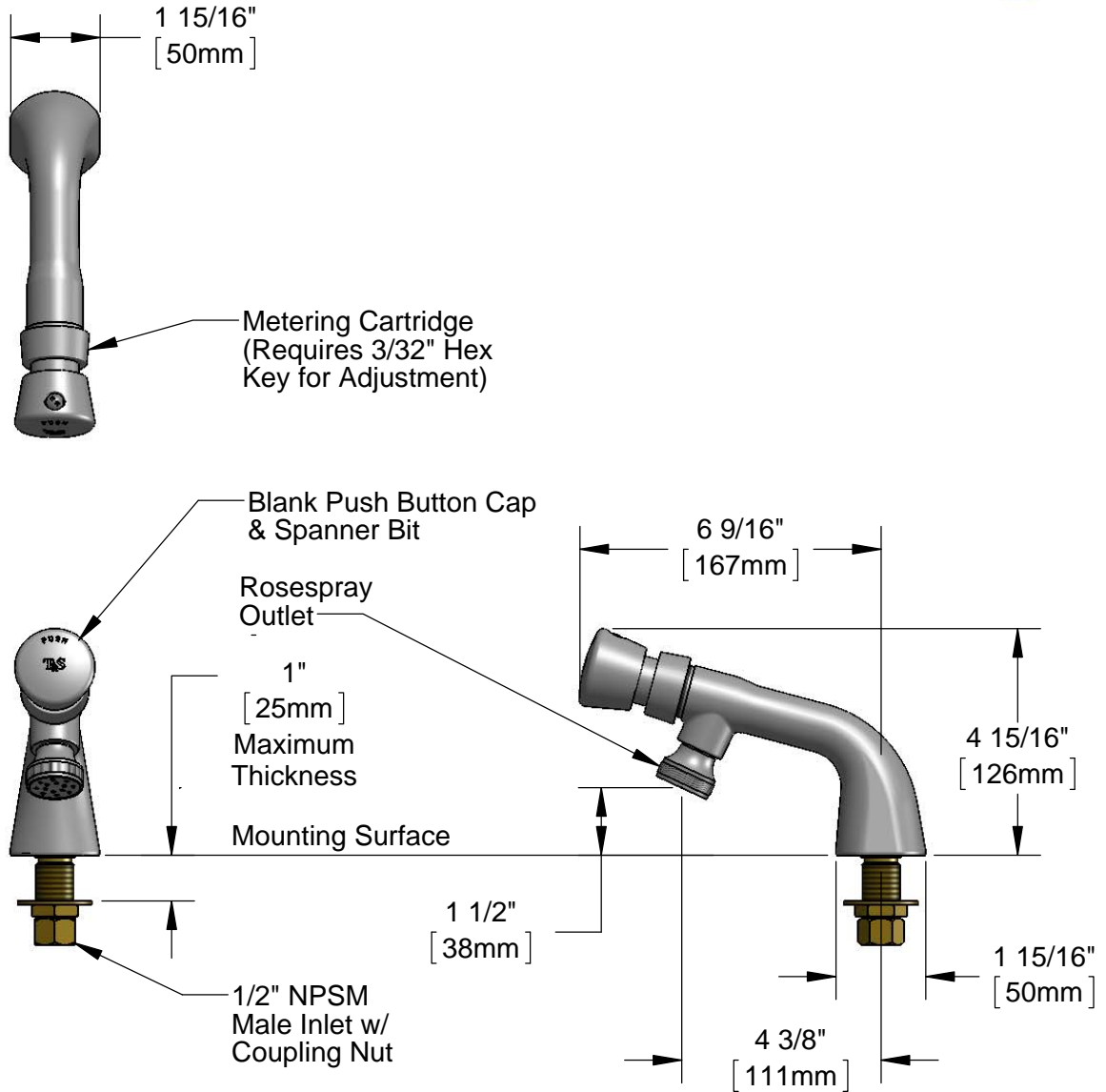
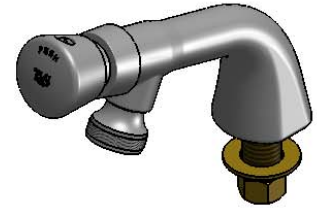
Customer/Wholesaler _____

Contractor _____

Architect/Engineer _____



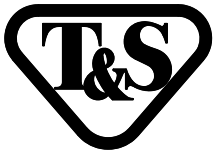
ADA Compliant



Rough-In Requirement:
 Ø 1" [25mm] Mounting Hole

Product Specifications:
 Single Temperature Deck Mount Faucet, Push Button Metering Cartridge, Rosespray Outlet & 1/2" NPSM Male Inlet

Drawn KJG	Checked DHL	Approved JHB
Scale: 1:4		Date: 03/18/13



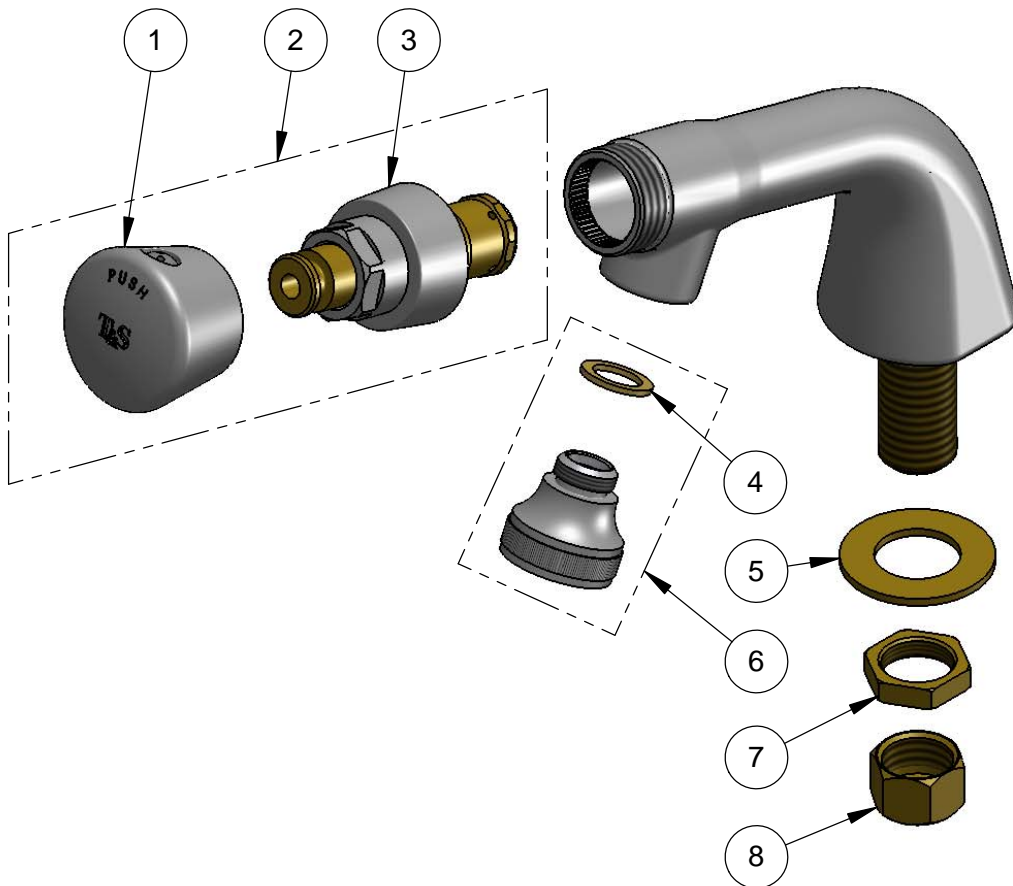
T&S BRASS AND BRONZE WORKS, INC.
 2 Saddleback Cove / P.O. Box 1088
 Travelers Rest, SC 29690

Model No.
B-0806

Item No.

Travelers Rest, SC: 800-476-4103 • Simi Valley, CA: 800-423-0150 • Fax: 864-834-3518 • www.tsbrass.com

ITEM NO.	SALES NO.	DESCRIPTION
1	014193-40	Blank Push Button Cap w/ Spanner Bit
2	238AB	Metering Cartridge w/ Blank Push Button Cap & Spanner Bit
3	238A	Push Button Metering Cartridge
4	001043-45	Washer
5	000999-45	Brass Lock Washer
6	B-0103	Rosespray Outlet
7	002954-45	Shank Lock Nut
8	000958-20	Coupling Nut



014734-45
 Spanner Bit

Product Specifications:
 Single Temperature Deck Mount Faucet, Push Button Metering
 Cartridge, Rosespray Outlet & 1/2" NPSM Male Inlet

Drawn KJG	Checked DHL	Approved JHB
Scale: NTS		Date: 03/18/13