



T&S BRASS AND BRONZE WORKS, INC.

2 Saddleback Cove / P.O. Box 1088
Travelers Rest, SC 29690

Model No.

B-0808

Item No.

Travelers Rest, SC: 800-476-4103 • Simi Valley, CA: 800-423-0150 • Fax: 864-834-3518 • www.tsbrass.com

This Space for Architect/Engineer Approval

Job Name _____ Date _____

Model Specified _____ Quantity _____

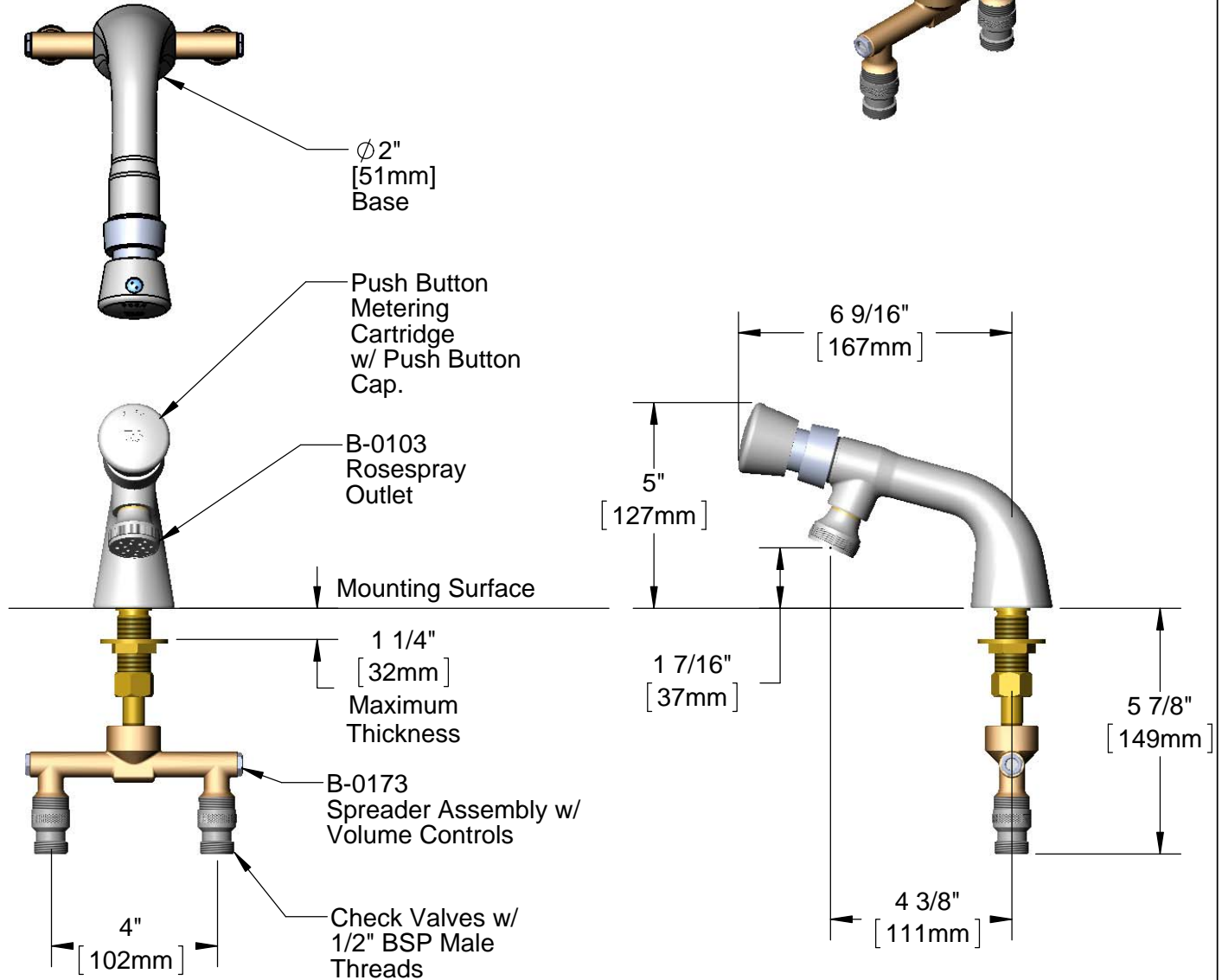
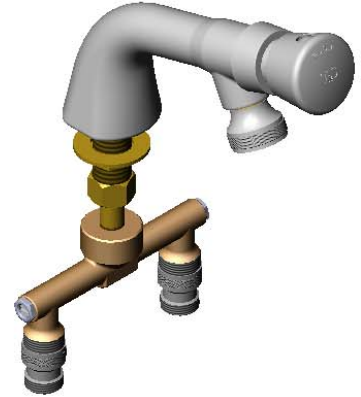
Customer/Wholesaler _____

Contractor _____

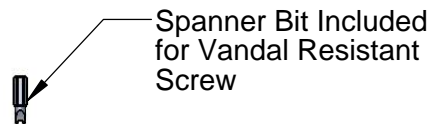
Architect/Engineer _____



ADA Compliant



Rough-In Requirement:
 $\phi 1''$ [25mm] Mounting Hole



Product Specifications:

Single Temperature Deck Mount Faucet w/
Undercounter Spreader Assembly, Check Valves,
Push Button Metering Cartridge, Rosespray Outlet

Drawn

KJG

Checked

GEF

Approved

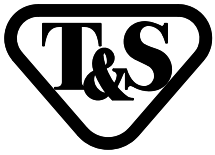
JHB

Scale:

1:4

Date:

05/22/12



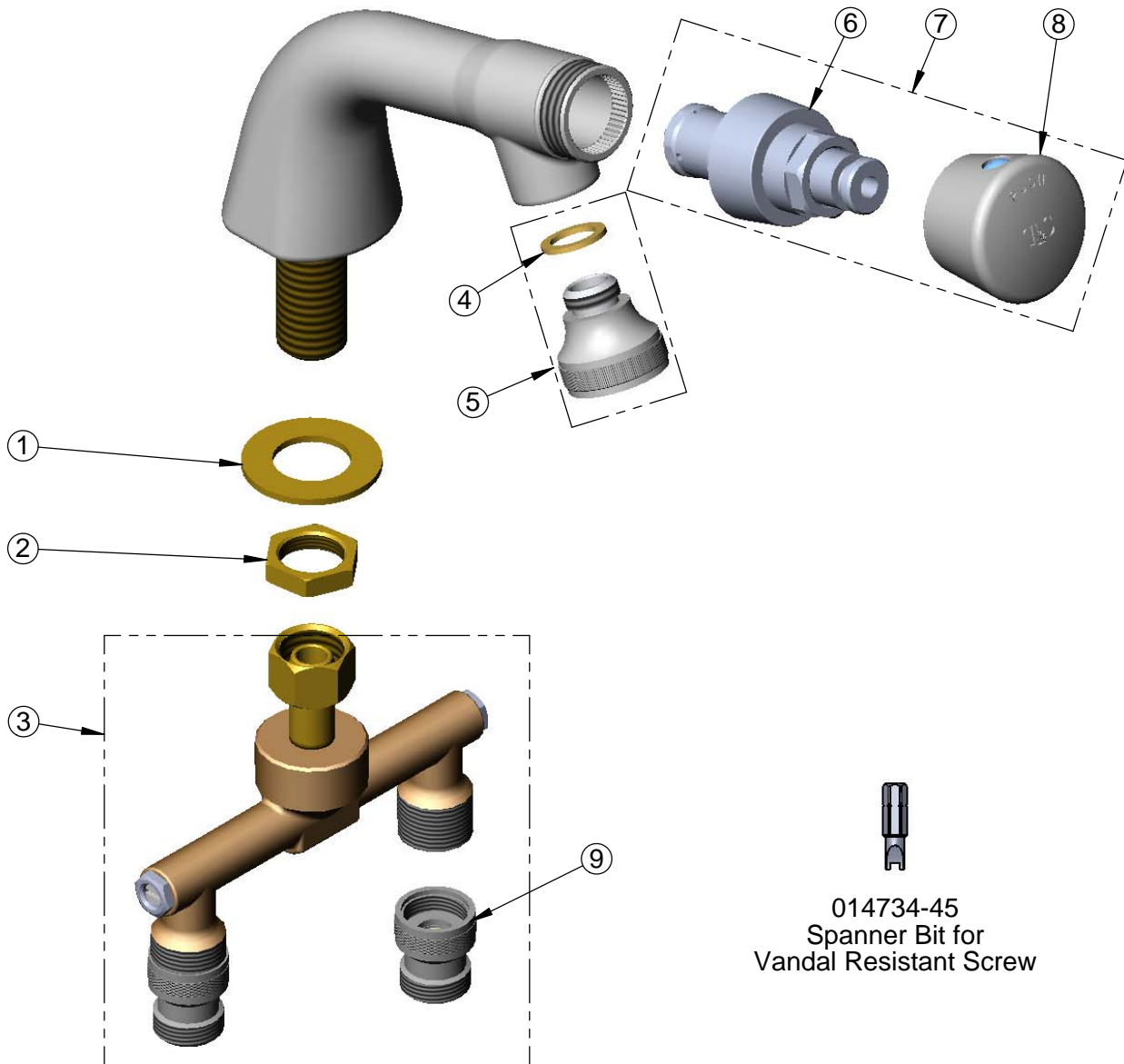
T&S BRASS AND BRONZE WORKS, INC.
 2 Saddleback Cove / P.O. Box 1088
 Travelers Rest, SC 29690

Model No.
B-0808

Item No.

Travelers Rest, SC: 800-476-4103 • Simi Valley, CA: 800-423-0150 • Fax: 864-834-3518 • www.tsbrass.com

ITEM NO.	SALES NO.	DESCRIPTION
1	000999-45	Brass Lock Washer
2	002954-45	Shank Lock Nut
3	002899-40	B-0173 Spreader
4	001043-45	Washer
5	B-0103	Spray Head Assembly
6	238A	Push Button Metering Cartridge
7	238AB	Push Button Metering Cartridge w/ Push Button Cap
8	014193-40	Blank Push Cap Asm
9	010321-45	Check Valve Assembly



014734-45
 Spanner Bit for
 Vandal Resistant Screw

Product Specifications:
 Single Temperature Deck Mount Faucet w/
 Undercounter Spreader Assembly, Check Valves,
 Push Button Metering Cartridge, Rosespray Outlet

Drawn KJG	Checked GEF	Approved JHB
Scale: NTS		Date: 05/22/12