



# T&S BRASS AND BRONZE WORKS, INC.

2 Saddleback Cove / P.O. Box 1088  
Travelers Rest, SC 29690

Model No.

**B-0874**

Item No.

Travelers Rest, SC: 800-476-4103 • Simi Valley, CA: 800-423-0150 • Fax: 864-834-3518 • www.tsbrass.com



**ADA Compliant**

This Space for Architect/Engineer Approval

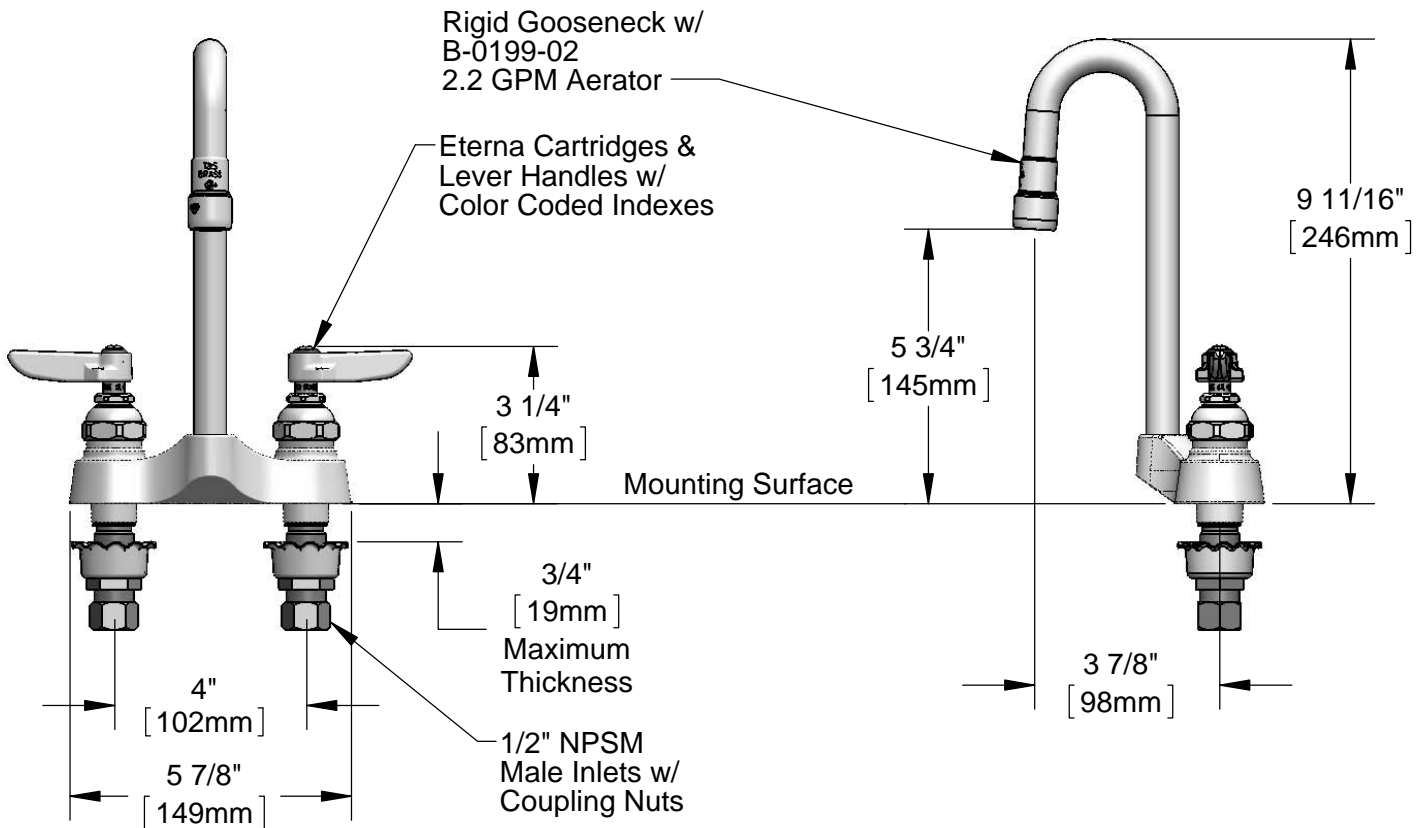
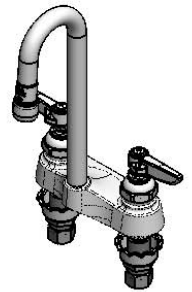
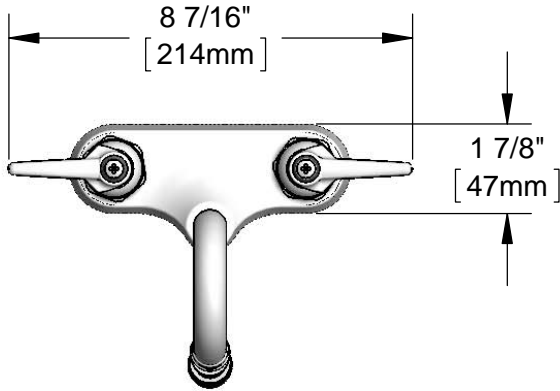
Job Name \_\_\_\_\_ Date \_\_\_\_\_

Model Specified \_\_\_\_\_ Quantity \_\_\_\_\_

Customer/Wholesaler \_\_\_\_\_

Contractor \_\_\_\_\_

Architect/Engineer \_\_\_\_\_



**Rough-In Requirement:**  
(2)  $\phi$  1 1/8" [29mm] Mounting Holes

**Product Specifications:**  
4" Centerset Deck Mount Faucet, Eterna Cartridges, Lever Handles, Rigid Gooseneck, 2.2 GPM Aerator & 1/2" NPSM Male Inlets w/ Coupling Nuts

**Product Compliance:**  
ASME A112.18.1 / CSA B125.1  
NSF 61 - Section 9  
NSF 372 (Low Lead Content)  
ANSI A117.1 (ADA)



# T&S BRASS AND BRONZE WORKS, INC.

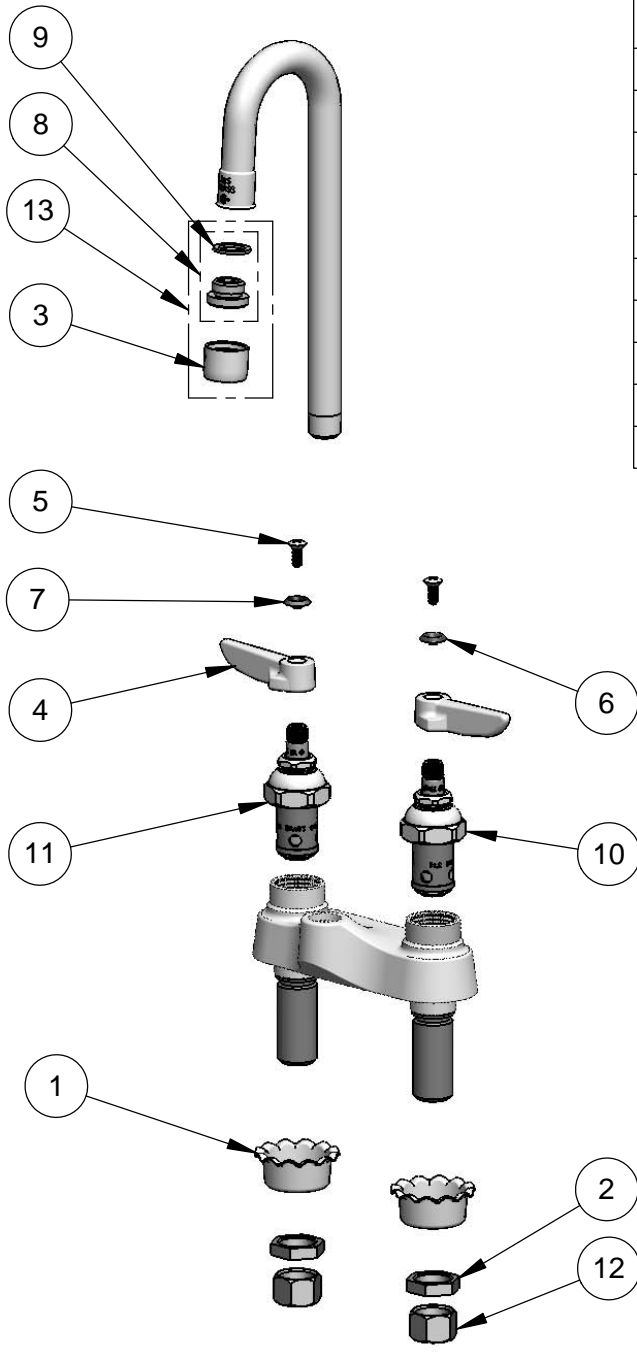
2 Saddleback Cove / P.O. Box 1088  
Travelers Rest, SC 29690

Model No.

**B-0874**

Item No.

Travelers Rest, SC: 800-476-4103 • Simi Valley, CA: 800-423-0150 • Fax: 864-834-3518 • www.tsbrass.com



| ITEM NO. | SALES NO. | DESCRIPTION                          |
|----------|-----------|--------------------------------------|
| 1        | 001000-45 | Rosette Washer                       |
| 2        | 002954-45 | Shank Lock Nut                       |
| 3        | B-0199-01 | 2.2 GPM Aerator, 55/64"-27 UN Female |
| 4        | 001638-45 | Lever Handle                         |
| 5        | 000922-45 | Lever Handle Screw                   |
| 6        | 001660-45 | Blue Index-CW                        |
| 7        | 001661-45 | Red Index-HW                         |
| 8        | 044A      | 3/8" to Aerator Adapter              |
| 9        | 001043-45 | Washer                               |
| 10       | 005959-40 | Eterna Cartridge, LTC                |
| 11       | 005960-40 | Eterna Cartridge, RTC                |
| 12       | 000958-20 | Coupling Nut                         |
| 13       | B-0199-02 | Aerator, 2.2 GPM, 3/8" NPSM          |

**Product Specifications:**

4" Centerset Deck Mount Faucet, Eterna Cartridges, Lever Handles, Rigid Gooseneck, 2.2 GPM Aerator & 1/2" NPSM Male Inlets w/ Coupling Nuts

**Product Compliance:**

ASME A112.18.1 / CSA B125.1  
NSF 61 - Section 9  
NSF 372 (Low Lead Content)  
ANSI A117.1 (ADA)