



**T&S BRASS AND BRONZE WORKS, INC.**  
 2 Saddleback Cove / P.O. Box 1088  
 Travelers Rest, SC 29690

Model No.  
**B-0970-FEZ**

Item No.

Travelers Rest, SC: 800-476-4103 • Simi Valley, CA: 800-423-0150 • Fax: 864-834-3518 • www.tsbrass.com

This Space for Architect/Engineer Approval

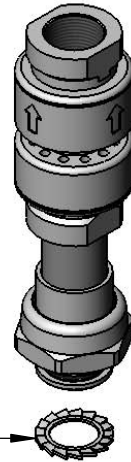
Job Name \_\_\_\_\_ Date \_\_\_\_\_

Model Specified \_\_\_\_\_ Quantity \_\_\_\_\_

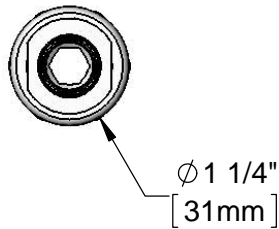
Customer/Wholesaler \_\_\_\_\_

Contractor \_\_\_\_\_

Architect/Engineer \_\_\_\_\_



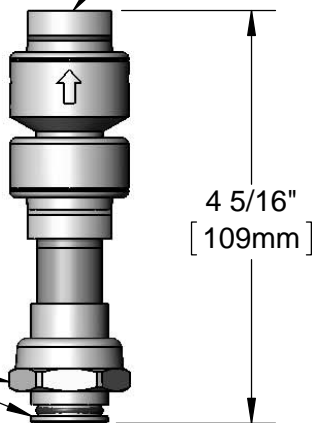
Rigid Conversion  
 Requires 014200-45  
 Lock Washer  
 (Included)



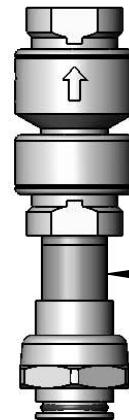
$\phi$  1 1/4"  
 [31mm]

3/8" NPT  
 Female Outlet

EasyInstall  
 Bushing & Nut  
 Fits Standard  
 T&S Swivel Base  
 Faucets



4 5/16"  
 [109mm]



B-0970-FE  
 Continuous Pressure  
 Vacuum Breaker

3/8" NPT x 2" Riser

Product Specifications:  
 3/8" Atmospheric Vacuum Breaker Kit For Continuous Pressure  
 Applications Fitted w/ EasyInstall Mechanism

Drawn <b>DHL</b>	Checked <b>DMH</b>	Approved <b>JHB</b>
Scale: <b>1:2</b>		Date: <b>12/20/12</b>



# T&S BRASS AND BRONZE WORKS, INC.

2 Saddleback Cove / P.O. Box 1088  
Travelers Rest, SC 29690

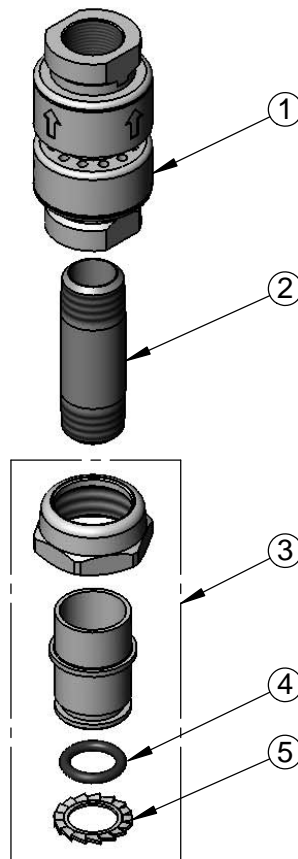
Model No.

**B-0970-FEZ**

Item No.

Travelers Rest, SC: 800-476-4103 • Simi Valley, CA: 800-423-0150 • Fax: 864-834-3518 • www.tsbrass.com

ITEM NO.	SALES NO.	DESCRIPTION
1	B-0970-FE	3/8" NPT Vacuum Breaker
2	000357-40	Nipple, 3/8" NPT x 2"
3	EZ-K	T&S EasyInstall Kit w/ Hex L-Key
4	001065-45	O-Ring
5	014200-45	Star Washer, Anti-Rotation



Product Specifications:  
3/8" Atmospheric Vacuum Breaker Kit For Continuous Pressure  
Applications Fitted w/ EasyInstall Mechanism

Drawn

**DHL**

Checked

**DMH**

Approved

**JHB**

Scale:

**NTS**

Date:

**12/20/12**