

**T&S BRASS AND BRONZE WORKS, INC.**  
 2 Saddleback Cove / P.O. Box 1088  
 Travelers Rest, SC 29690

Model No.  
**B-1100-LN**

Item No.

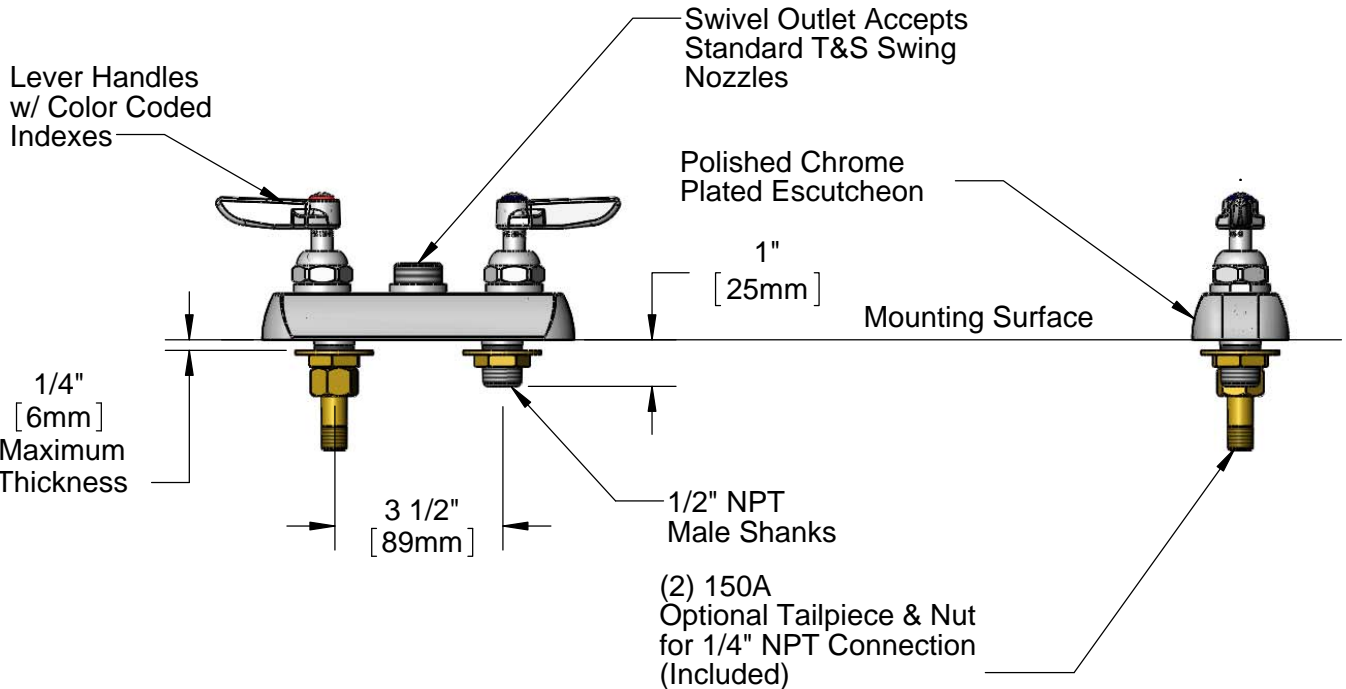
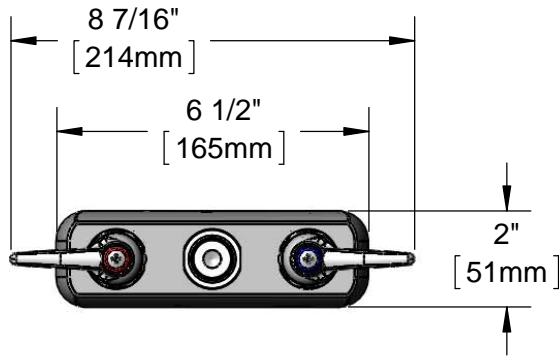
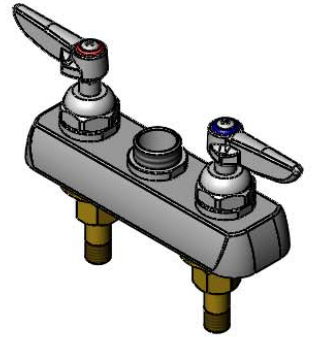
Travelers Rest, SC: 800-476-4103 • Simi Valley, CA: 800-423-0150 • Fax: 864-834-3518 • www.tsbrass.com

This Space for Architect/Engineer Approval

Job Name \_\_\_\_\_ Date \_\_\_\_\_  
 Model Specified \_\_\_\_\_ Quantity \_\_\_\_\_  
 Customer/Wholesaler \_\_\_\_\_  
 Contractor \_\_\_\_\_  
 Architect/Engineer \_\_\_\_\_



**ADA Compliant**



**Rough-In Requirement:**  
 (2)  $\varnothing$  1" [25mm] Mounting Holes

Product Specifications:  
 3 1/2" Workboard Faucet Less Nozzle w/  
 Lever Handles & 1/2" NPT Male Shanks

Drawn <b>KJG</b>	Checked <b>JRM</b>	Approved <b>JHB</b>
Scale: <b>1:4</b>		Date: <b>05/30/12</b>

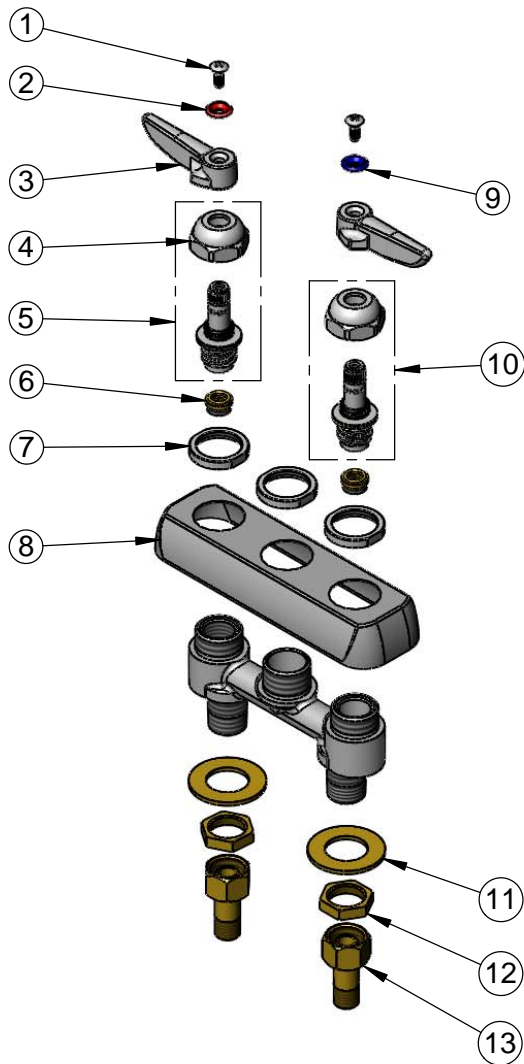


**T&S BRASS AND BRONZE WORKS, INC.**  
 2 Saddleback Cove / P.O. Box 1088  
 Travelers Rest, SC 29690

Model No.  
**B-1100-LN**

Item No.

Travelers Rest, SC: 800-476-4103 • Simi Valley, CA: 800-423-0150 • Fax: 864-834-3518 • www.tsbrass.com



ITEM NO.	SALES NO.	DESCRIPTION
1	000922-45	Lever Handle Screw
2	001661-45	Red Index-HW
3	001638-45	Lever Handle
4	009749-25	Bonnet Nut
5	009753-25	B-1100 Spindle Assembly, RTC
6	000763-20	Seat
7	000712-25	Escutcheon Lock Nut
8	001258-40	Escutcheon
9	001660-45	Blue Index-CW
10	009754-25	B-1100 Spindle Assembly, LTC
11	000999-45	Brass Lock Washer
12	002954-45	Shank Lock Nut
13	150A	Bag of (1) Nut & (1) Tailpiece

Product Specifications:  
 3 1/2" Workboard Faucet Less Nozzle w/  
 Lever Handles & 1/2" NPT Male Shanks

Drawn <b>KJG</b>	Checked <b>JRM</b>	Approved <b>JHB</b>
---------------------	-----------------------	------------------------

Scale: <b>NTS</b>	Date: <b>05/30/12</b>
----------------------	--------------------------