



**T&S BRASS AND BRONZE WORKS, INC.**  
 2 SADDLEBACK COVE / P.O. BOX 1088 / TRAVELERS REST, SC 29690  
 PHONE 800-476-4103 - FAX 864- 834-3518



Model No.

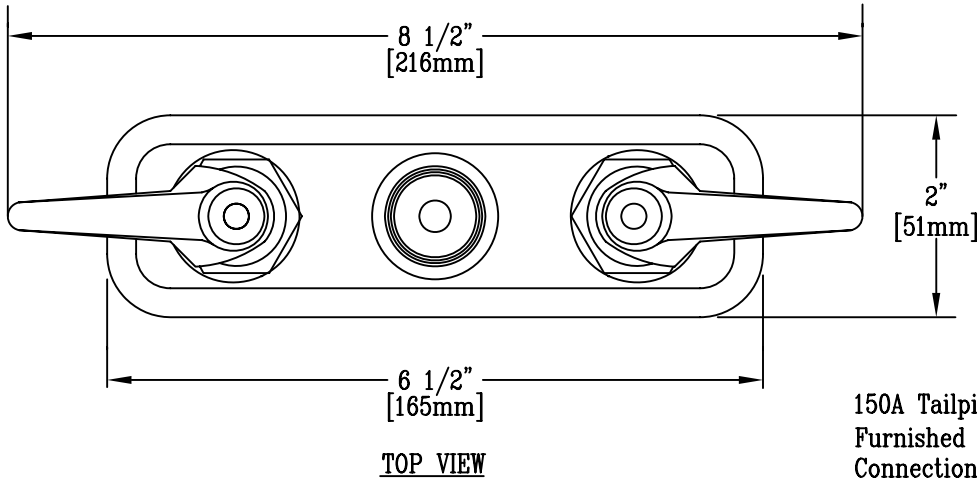
B-1101

**RELIABILITY  
 BUILT IN**

Job Name:

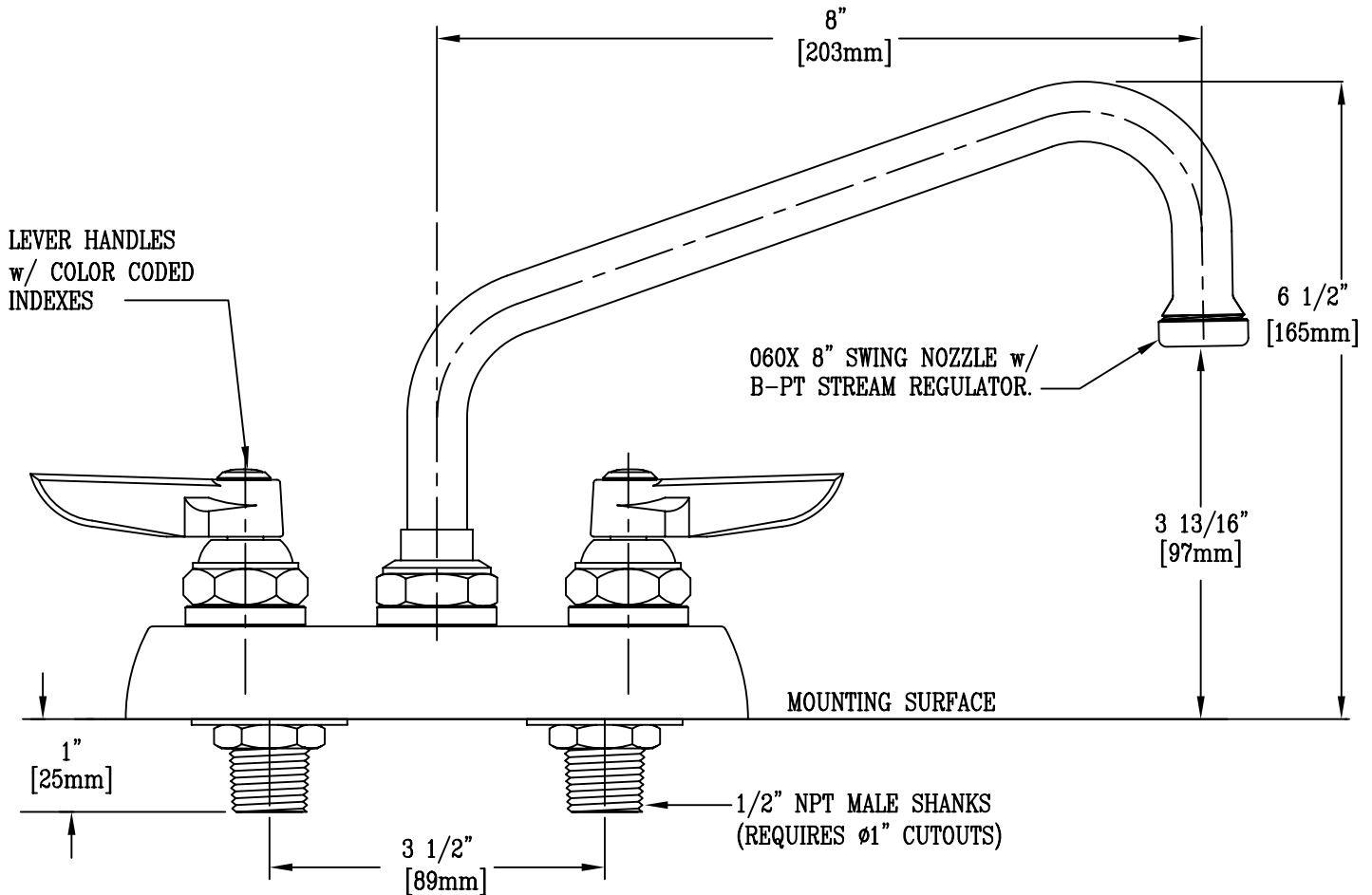
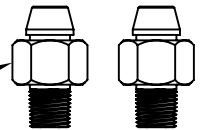
Architect/Engineer Approval:

Notes:



**ADA Compliant**

150A Tailpiece and Nut  
 Furnished for 1/4" NPT  
 Connection



Product Description:  
 WORKBOARD FAUCET WITH 1/2" NPT MALE SHANKS,  
 3 1/2" INLET CENTERS, 060X 8" SWING NOZZLE,  
 B-PT STREAM REGULATOR, LEVER HANDLES

Drawn: KJG	Checked JRM	Scale: 1 : 2
Approved JHB	Date: 12/19/07	