

T&S BRASS AND BRONZE WORKS, INC.

2 SADDLEBACK COVE / P.O. BOX 1088 / TRAVELERS REST, SC 29690

PHONE 800-476-4103 - FAX 864- 834-3518



REG.#A2601
ISO #9001

Model No.

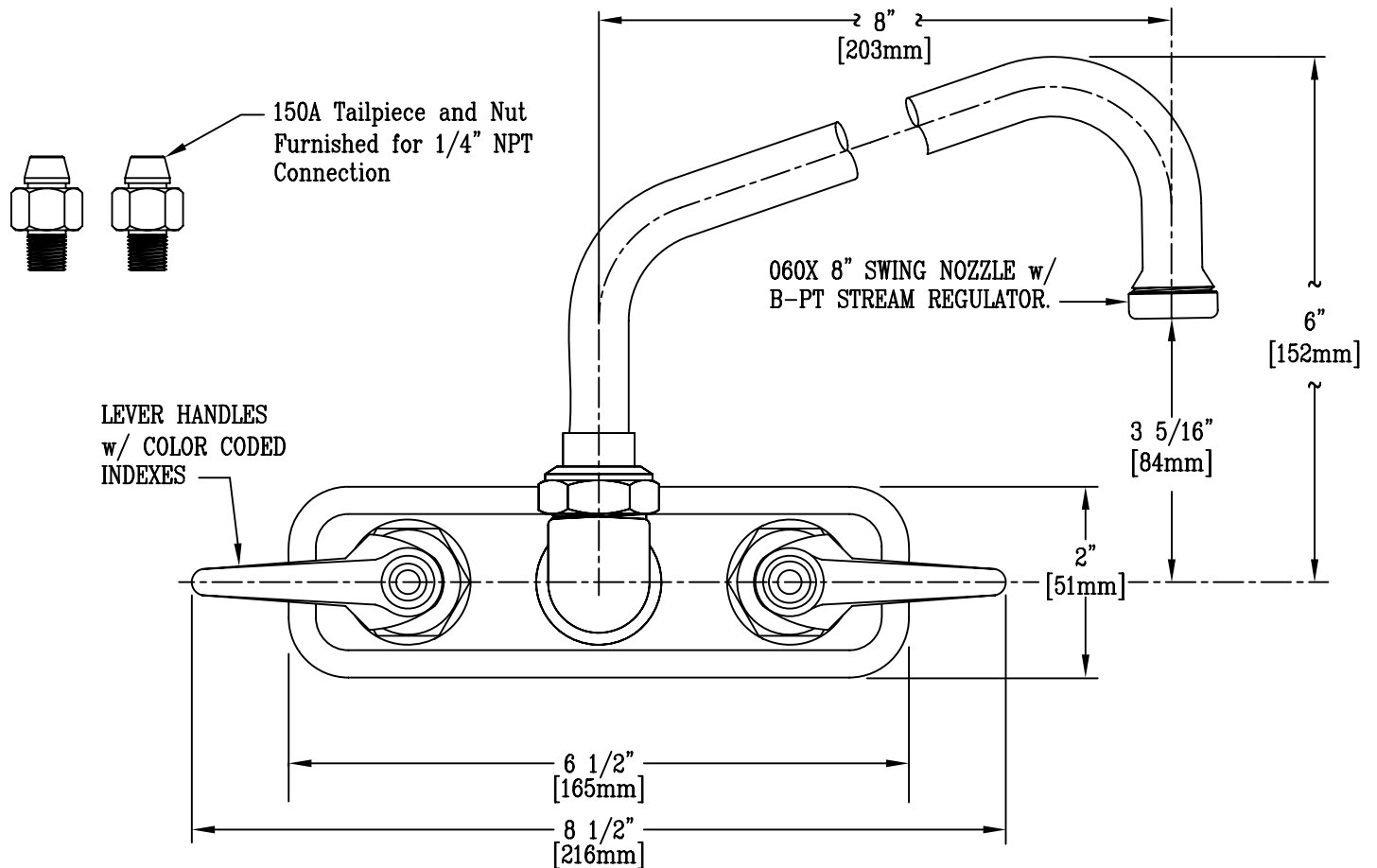
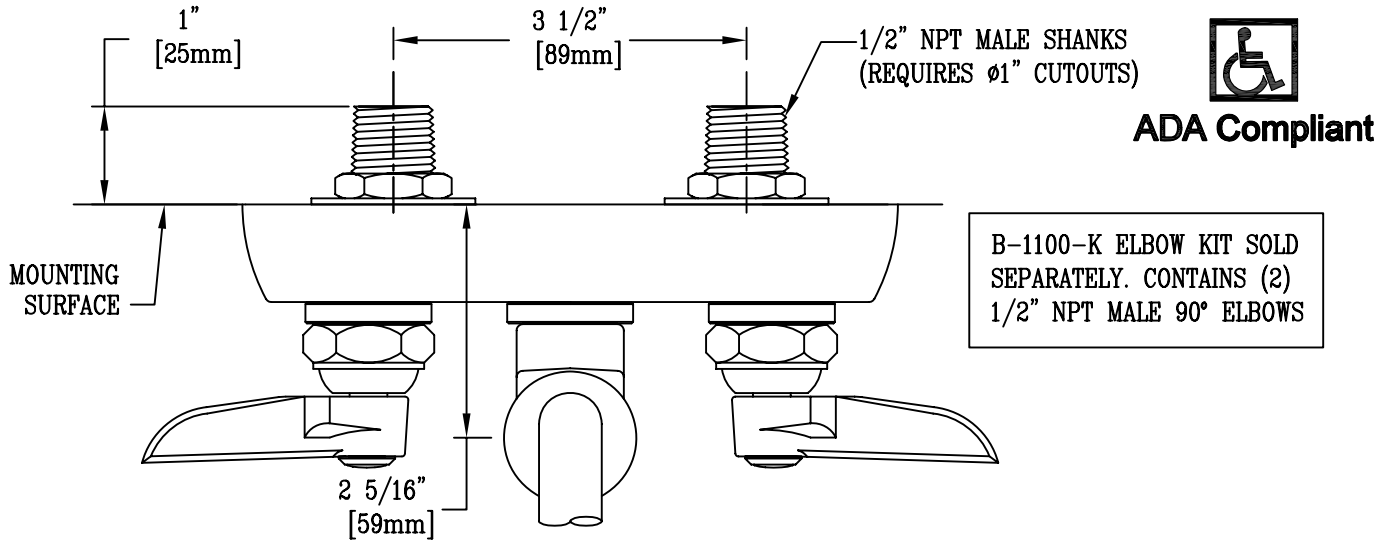
B-1106

**RELIABILITY
BUILT IN**

Job Name:

Architect/Engineer Approval:

Notes:



Product Description:
WALL MOUNT WORKBOARD FAUCET WITH 1/2" NPT MALE SHANKS, 3 1/2" INLET CENTERS, 060X 8" SWING NOZZLE, B-PT STREAM REGULATOR & LEVER HANDLES

Drawn: KJG	Checked JRM	Scale: 1 : 2
Approved JHB	Date: 12/19/07	