



# T&S BRASS AND BRONZE WORKS, INC.

2 Saddleback Cove / P.O. Box 1088  
Travelers Rest, SC 29690



REG. #A2601  
ISO #9001

Model No.

**B-1110-LN-WH4**

Item No.

Travelers Rest, SC: 800-476-4103 Simi Valley, CA: 800-423-0150 Fax: 864-834-3518 www.tsbrass.com

This Space for Architect/Engineer Approval

Job Name \_\_\_\_\_ Date \_\_\_\_\_

Model Specified \_\_\_\_\_ Quantity \_\_\_\_\_

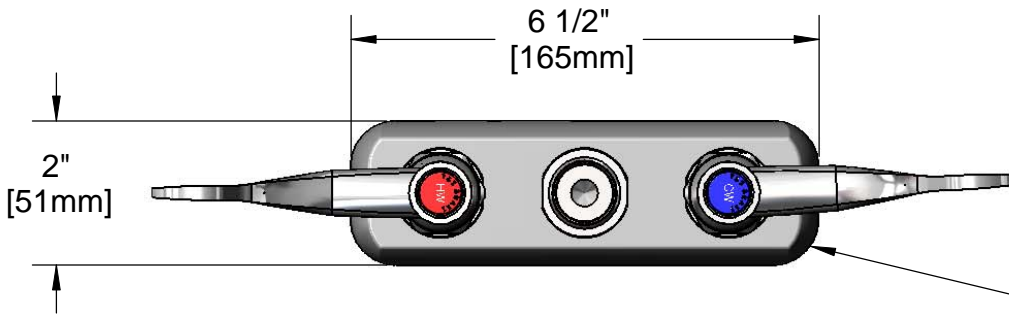
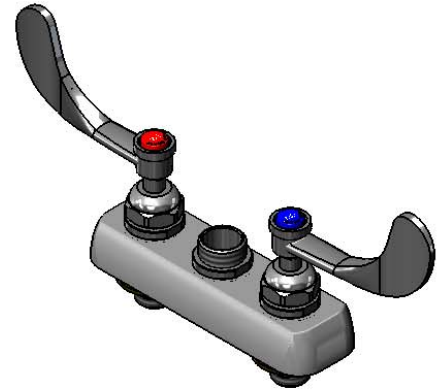
Customer/Wholesaler \_\_\_\_\_

Contractor \_\_\_\_\_

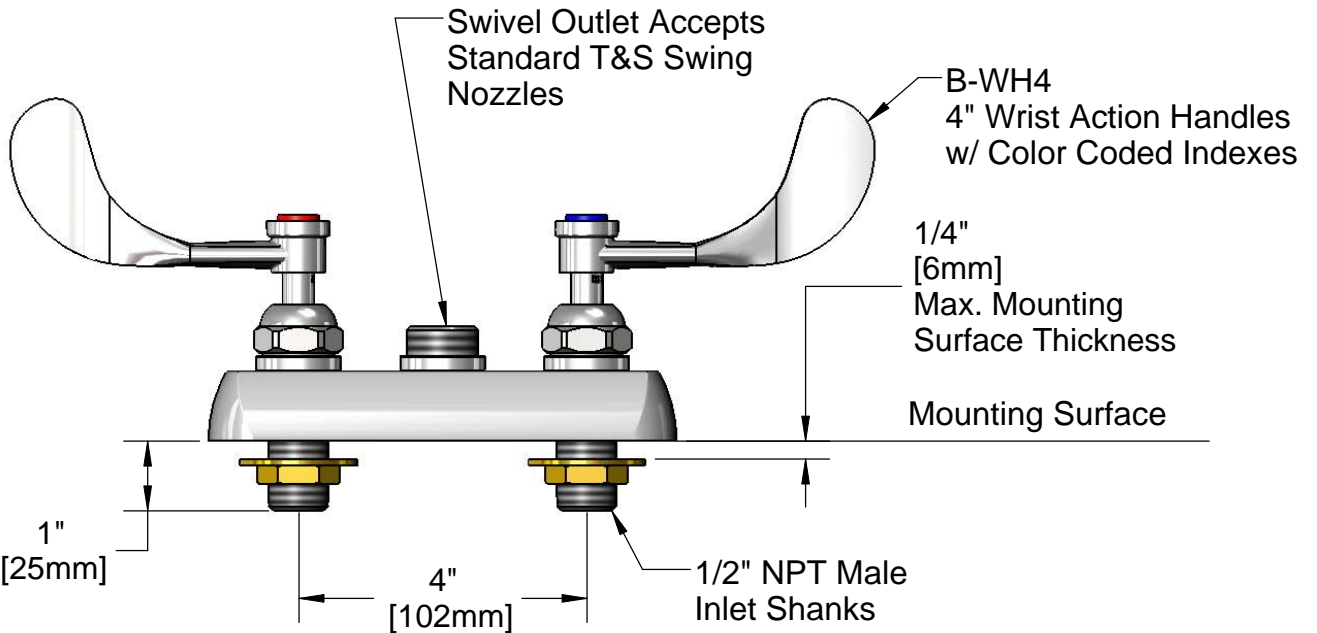
Architect/Engineer \_\_\_\_\_



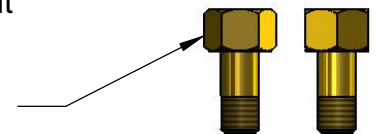
**ADA Compliant**



Polished Chrome Plated Escutcheon



150A  
Tailpiece & Nut  
for 1/4" NPT  
Connection  
(Included)



**Note: Rough-In Requirements**  
(2)  $\phi$  1" [25mm] Holes

Product Specifications:  
4" c/c Deck Mount Workboard Faucet Less Nozzle  
w/ 4" Wrist Action Handles & 1/2" NPT Male Shanks

Drawn <b>KJG</b>	Checked <b>GEF</b>	Approved <b>JHB</b>
Scale: <b>NTS</b>		Date: <b>08/18/10</b>



**T&S BRASS AND BRONZE WORKS, INC.**

2 Saddleback Cove / P.O. Box 1088  
Travelers Rest, SC 29690



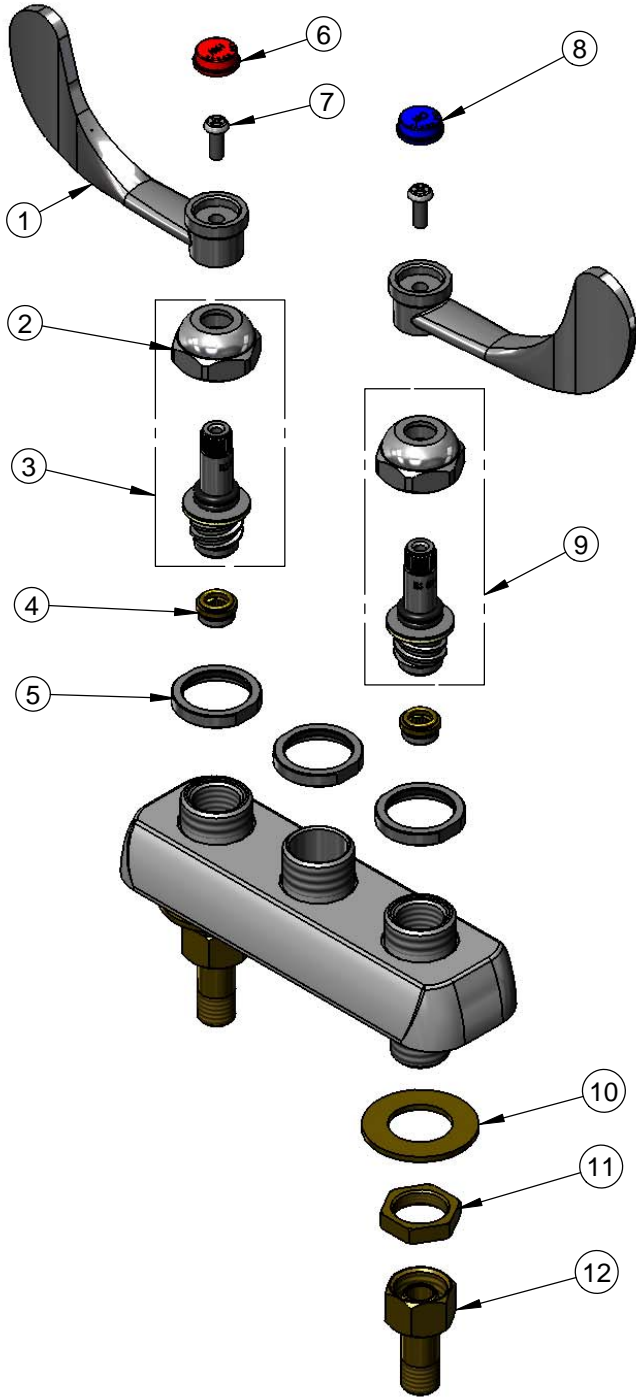
REG. #A2601  
ISO #9001

Model No.

**B-1110-LN-WH4**

Item No.

Travelers Rest, SC: 800-476-4103 Simi Valley, CA: 800-423-0150 Fax: 864-834-3518 www.tsbrass.com



ITEM NO.	SALES NO.	DESCRIPTION
1	B-WH4	4" Wrist Action Handle
2	009749-25	Bonnet Nut
3	009423-40	B-2346 RH Spindle Assembly
4	000763-20	Seat
5	000712-25	Escutcheon Lock Nut
6	001194-45	Red HW Index
7	000925-45	Lab Handle Screw
8	001686-45	Blue CW Index
9	009424-40	B-2346 LH Spindle Assembly
10	000999-45	Brass Lock Washer
11	002954-45	Shank Lock Nut
12	000958-20	Coupling Nut

Product Specifications:

4" c/c Deck Mount Workboard Faucet Less Nozzle  
w/ 4" Wrist Action Handles & 1/2" NPT Male Shanks

Drawn <b>KJG</b>	Checked <b>GEF</b>	Approved <b>JHB</b>
Scale: <b>NTS</b>		Date: <b>08/18/10</b>