



T&S BRASS AND BRONZE WORKS, INC.

2 Saddleback Cove / P.O. Box 1088
Travelers Rest, SC 29690



REG. #A2601
ISO #9001

Model No.

B-1110-QT

Item No.

Travelers Rest, SC: 800-476-4103 Simi Valley, CA: 800-423-0150 Fax: 864-834-3518 www.tsbrass.com

This Space for Architect/Engineer Approval

Job Name _____ Date _____

Model Specified _____ Quantity _____

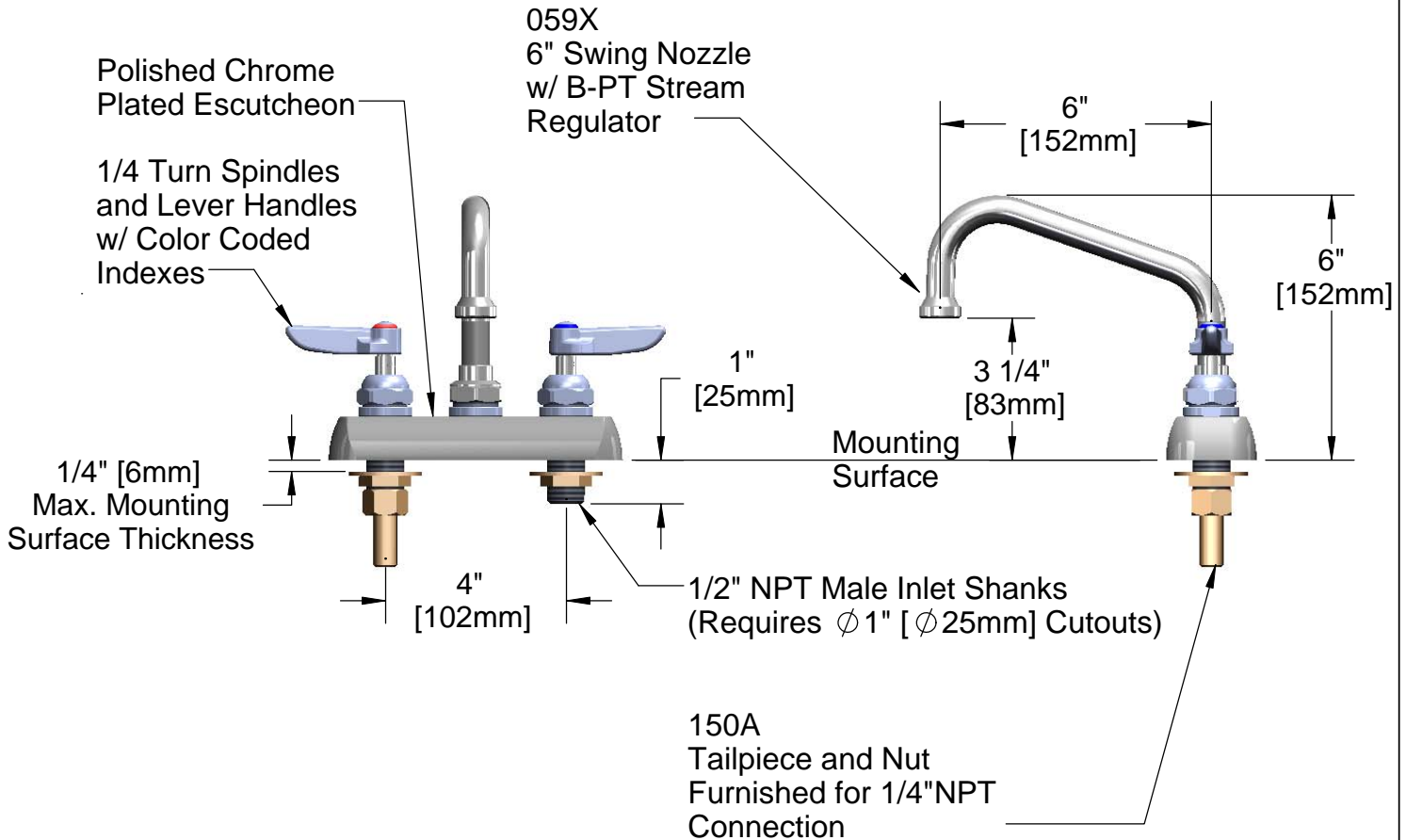
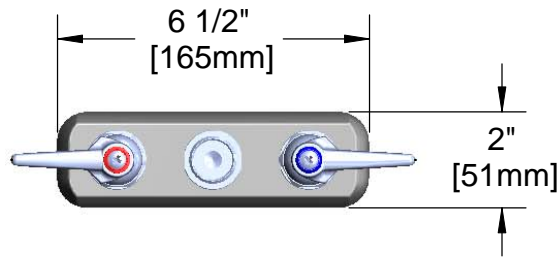
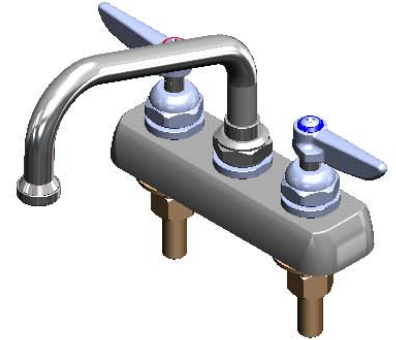
Customer/Wholesaler _____

Contractor _____

Architect/Engineer _____



ADA Compliant



Product Specifications:
4" Inlet Centers Deck Mount Workboard Mixing Faucet w/
1/4 Turn Spindles, Lever Handles, 6" Swing Nozzle,
B-PT Stream Regulator & 1/2" NPT Male Shanks

Drawn GEF	Checked DMH	Approved JHB
Scale: 1:4		Date: 04/08/11



T&S BRASS AND BRONZE WORKS, INC.

2 Saddleback Cove / P.O. Box 1088
Travelers Rest, SC 29690



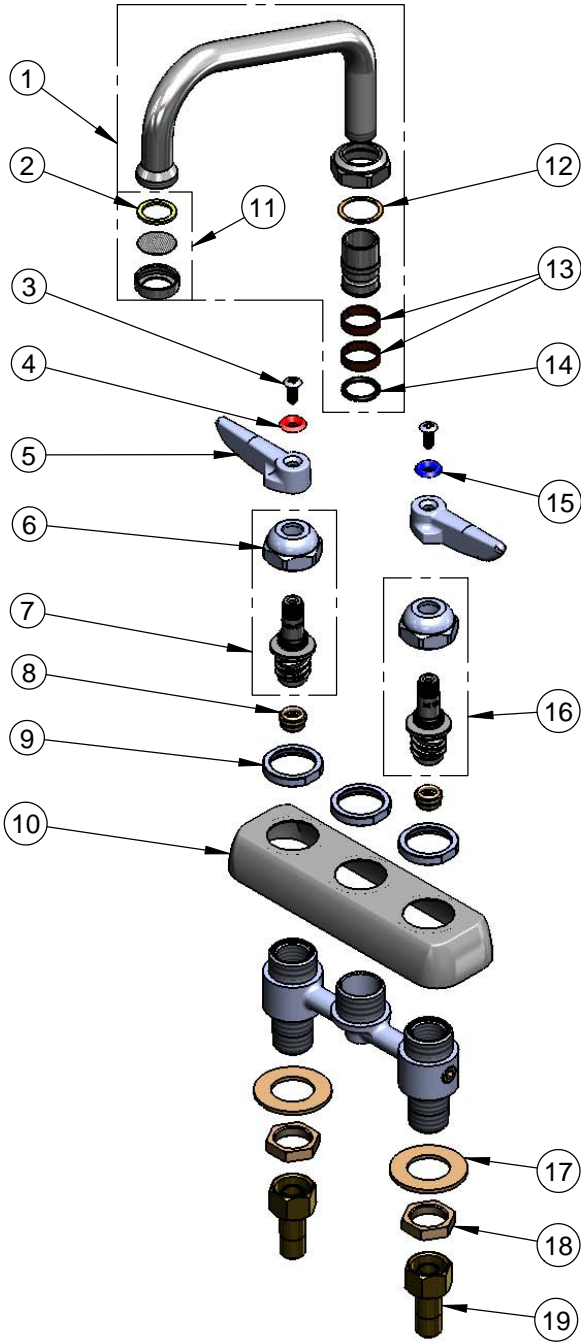
REG. #A2601
ISO #9001

Model No.

B-1110-QT

Item No.

Travelers Rest, SC: 800-476-4103 Simi Valley, CA: 800-423-0150 Fax: 864-834-3518 www.tsbrass.com



ITEM NO.	SALES NO.	DESCRIPTION
1	059X	6" Swing Nozzle Assembly
2	001048-45	Nozzle Tip Washer
3	000922-45	Lever Handle Screw
4	001661-45	Red Index-HW
5	001638-45	Lever Handle
6	009749-25	Bonnet Nut
7	009753-25QT	1/4 Turn Spindle Asm, RH Thread
8	000763-20	Seat
9	000712-25	Escutcheon Lock Nut
10	001258-40	Escutcheon
11	B-PT	Stream Regulator Outlet
12	009538-45	Swivel Washer
13	011429-45	Swivel Sleeves (2)
14	001074-45	O-Ring
15	001660-45	Blue Index-CW
16	009754-25QT	1/4 Turn Spindle Asm, LH Thread
17	000999-45	Brass Lock Washer
18	002954-45	Shank Lock Nut
19	150A	Bag of (1) Nut & (1) Tailpiece

Product Specifications:

4" Inlet Centers Deck Mount Workboard Mixing Faucet w/
1/4 Turn Spindles, Lever Handles, 6" Swing Nozzle,
B-PT Stream Regulator & 1/2" NPT Male Shanks

Drawn GEF	Checked DMH	Approved JHB
Scale: 1:4		Date: 04/08/11