

T&S BRASS AND BRONZE WORKS, INC.

2 Saddleback Cove / P.O. Box 1088
Travelers Rest, SC 29690

Model No.

B-1110-XS-LN

Item No.

Travelers Rest, SC: 800-476-4103 • Simi Valley, CA: 800-423-0150 • Fax: 864-834-3518 • www.tsbrass.com



ADA Compliant

This Space for Architect/Engineer Approval

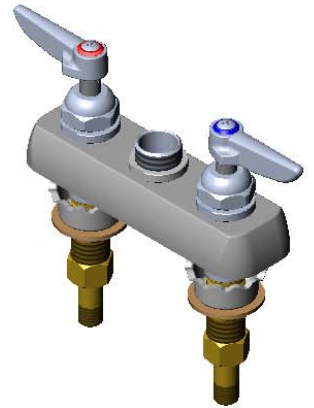
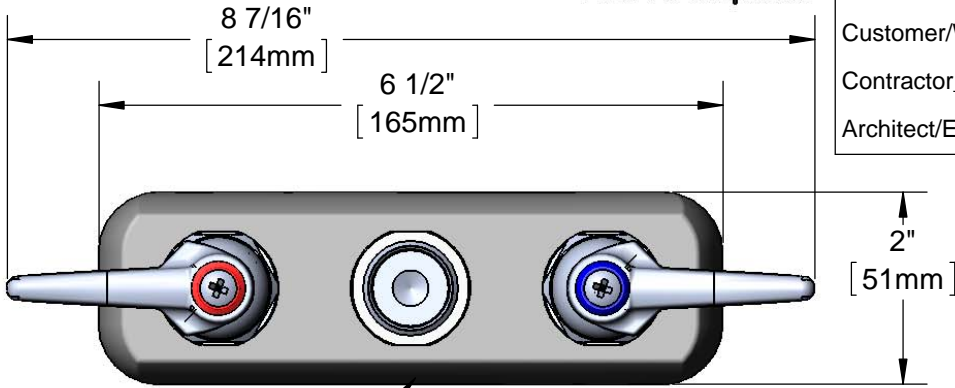
Job Name _____ Date _____

Model Specified _____ Quantity _____

Customer/Wholesaler _____

Contractor _____

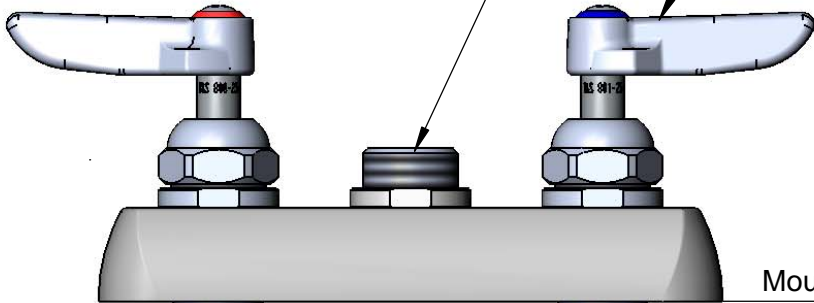
Architect/Engineer _____



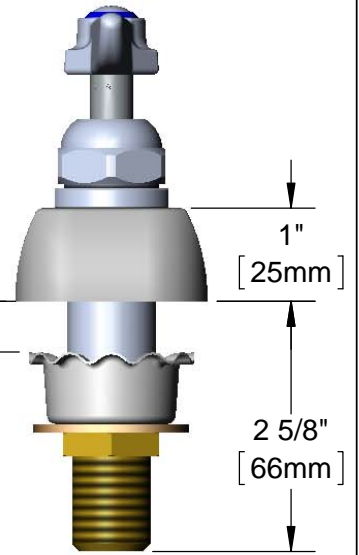
Polished Chrome Plated Escutcheon

Swivel Outlet Accepts Standard T&S Swing Nozzles

Lever Handles w/ Color Coded Indexes



Mounting Surface



1 1/8" [29mm] Maximum Thickness

1/2" NPSM Male Shanks

4" [102mm]

150A Tailpiece and Nut Furnished for 1/4" NPT Connection



Rough-In Requirement:
(2) ϕ 1" [25mm] Mounting Holes

Product Specifications:
4" Deck Mount Workboard Faucet, Lever Handles, w/ Color Coded Indexes, 1/2" NPSM Male Shanks & Less Nozzle

Drawn
KJG

Checked
GEF

Approved
JHB

Scale:
1:2

Date:
05/31/12



T&S BRASS AND BRONZE WORKS, INC.

2 Saddleback Cove / P.O. Box 1088

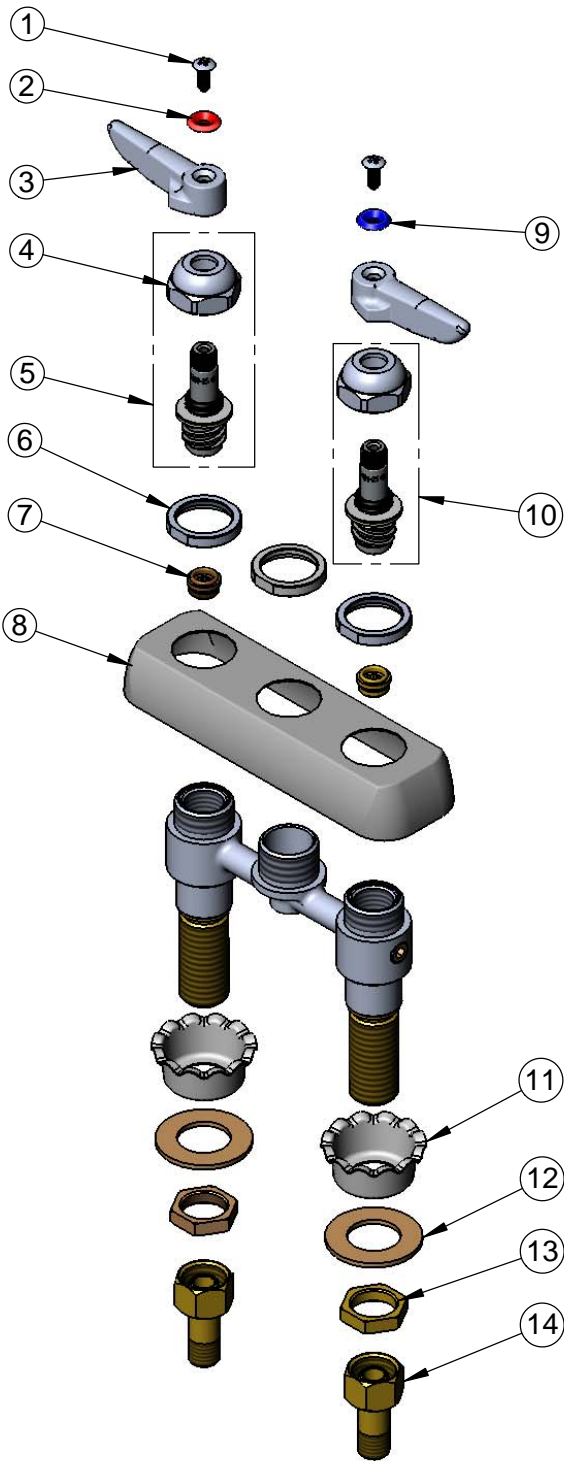
Travelers Rest, SC 29690

Model No.

B-1110-XS-LN

Item No.

Travelers Rest, SC: 800-476-4103 • Simi Valley, CA: 800-423-0150 • Fax: 864-834-3518 • www.tsbrass.com



ITEM NO.	SALES NO.	DESCRIPTION
1	000922-45	Lever Handle Screw
2	001661-45	Red Index-HW
3	001638-45	Lever Handle
4	009749-25	Bonnet Nut
5	009753-25	B-1100 RH Spindle Assembly
6	000712-25	Escutcheon Lock Nut
7	000763-20	Seat
8	001258-40	Escutcheon
9	001660-45	Blue Index-CW
10	009754-25	B-1100 LH Spindle Assembly
11	001000-45	Rosette Washer
12	000999-45	Brass Lock Washer
13	002954-45	Shank Lock Nut
14	150A	Bag of (1) Nut & (1) Tailpiece

Product Specifications:

4" Deck Mount Workboard Faucet, Lever Handles,
w/ Color Coded Indexes, 1/2" NPSM Male Shanks & Less Nozzle

Drawn

KJG

Checked

GEF

Approved

JHB

Scale:

NTS

Date:

05/31/12