

**T&S BRASS AND BRONZE WORKS, INC.**  
 2 SADDLEBACK COVE / P.O. BOX 1088 / TRAVELERS REST, SC 29690  
 PHONE 800-476-4103 - FAX 864- 834-3518



Model No.

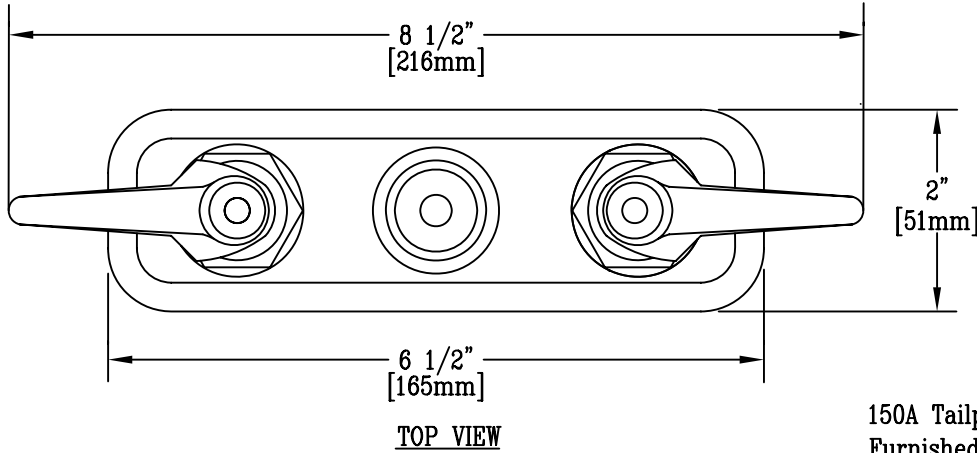
B-1112

**RELIABILITY  
BUILT IN**

Job Name:

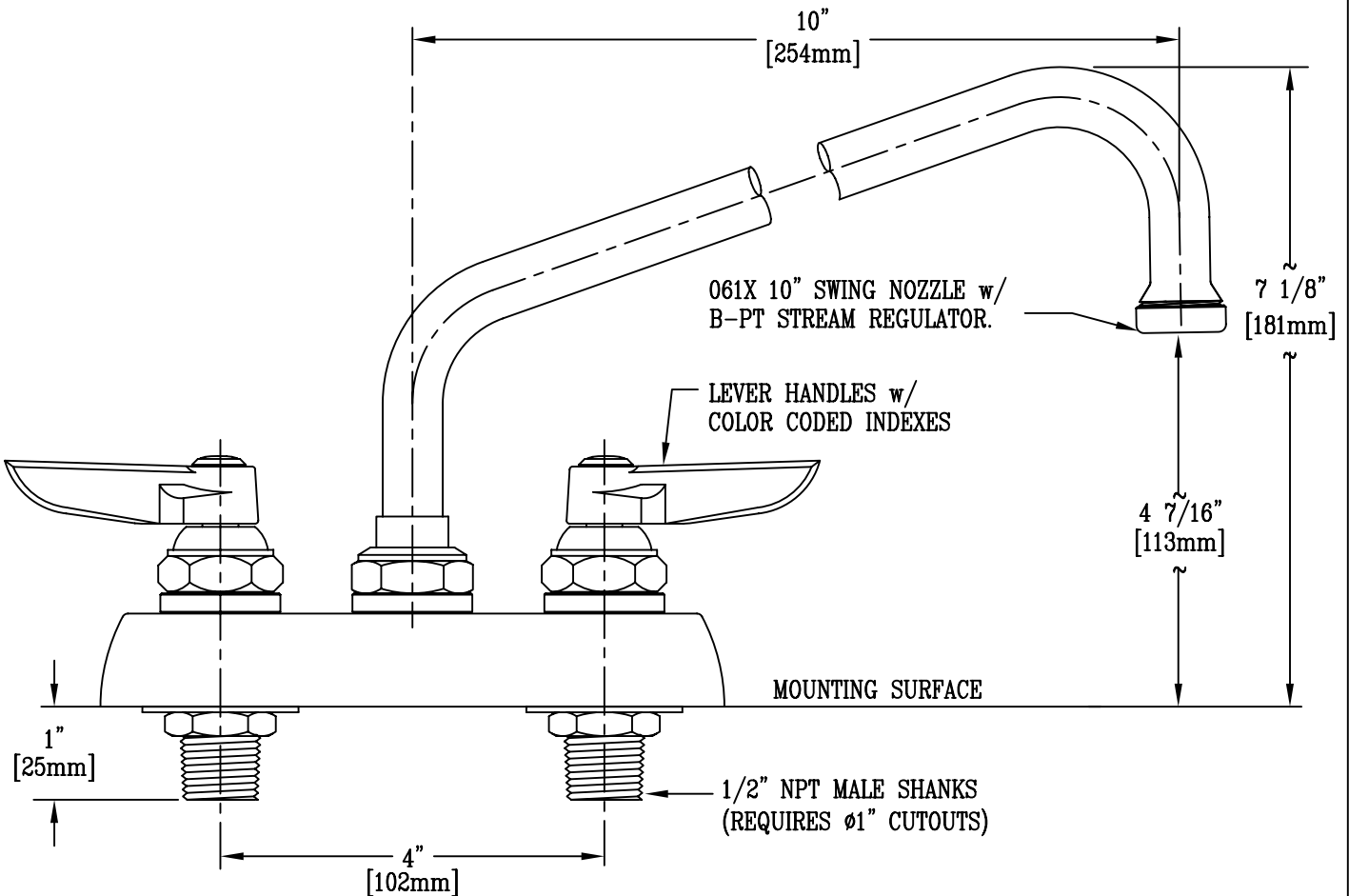
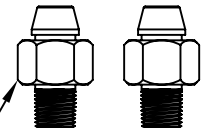
Architect/Engineer Approval:

Notes:



**ADA Compliant**

150A Tailpiece and Nut  
Furnished for 1/4" NPT  
Connection



Product Description:  
 WORKBOARD FAUCET WITH 1/2" NPT MALE SHANKS,  
 4" INLET CENTERS, 061X 10" SWING NOZZLE,  
 B-PT STREAM REGULATOR & LEVER HANDLES

Drawn:	Checked:	Scale:
KJG	JRM	1 : 2
Approved:	Date:	
JHB	12/19/07	