



# T&S BRASS AND BRONZE WORKS, INC.

2 Saddleback Cove / P.O. Box 1088  
Travelers Rest, SC 29690

Model No.

**B-1113**

Item No.

Travelers Rest, SC: 800-476-4103 • Simi Valley, CA: 800-423-0150 • Fax: 864-834-3518 • www.tsbrass.com

This Space for Architect/Engineer Approval

Job Name \_\_\_\_\_ Date \_\_\_\_\_

Model Specified \_\_\_\_\_ Quantity \_\_\_\_\_

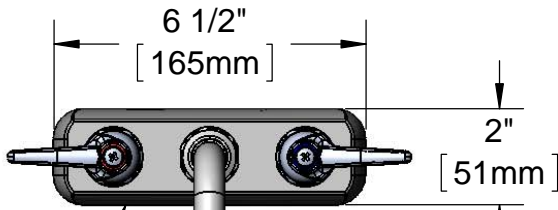
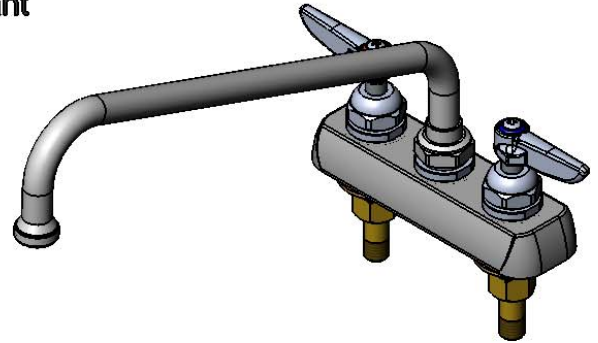
Customer/Wholesaler \_\_\_\_\_

Contractor \_\_\_\_\_

Architect/Engineer \_\_\_\_\_



**ADA Compliant**

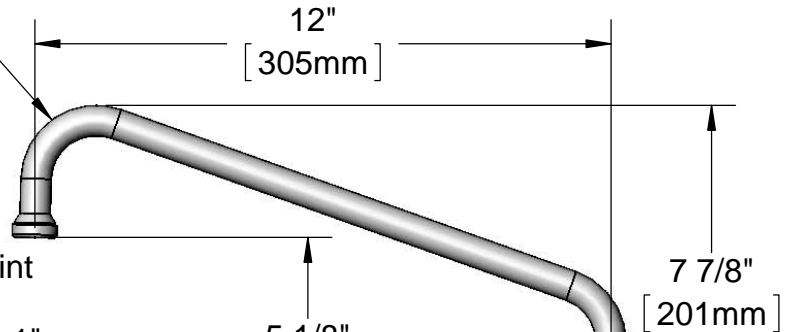


Polished Chrome Plated Escutcheon

062X  
12" Swing Nozzle w/  
B-PT  
Stream Regulator  
Outlet

Lever Handles  
w/ Color Coded  
Indexes

Swivel Joint



Mounting Surface

Fits Surfaces  
up to 1/4" [6mm]  
Maximum Thickness

1/2" NPT  
Male Shank  
Inlets

150A  
Tailpiece & Nut  
Furnished For  
1/4" NPT Connection

Note: Rough-In Requirement  
(2) Ø 1" [25mm] Mounting Holes

Product Specifications:  
4" Centers Workboard Faucet w/ 1/2" NPT Male Shank Inlets,  
Lever Handles & 12" Swing Nozzle w/ B-PT Stream Regulator  
Outlet

Drawn

**DHL**

Checked

**KJG**

Approved

**JHB**

Scale:

**1:4**

Date:

**01/05/12**



# T&S BRASS AND BRONZE WORKS, INC.

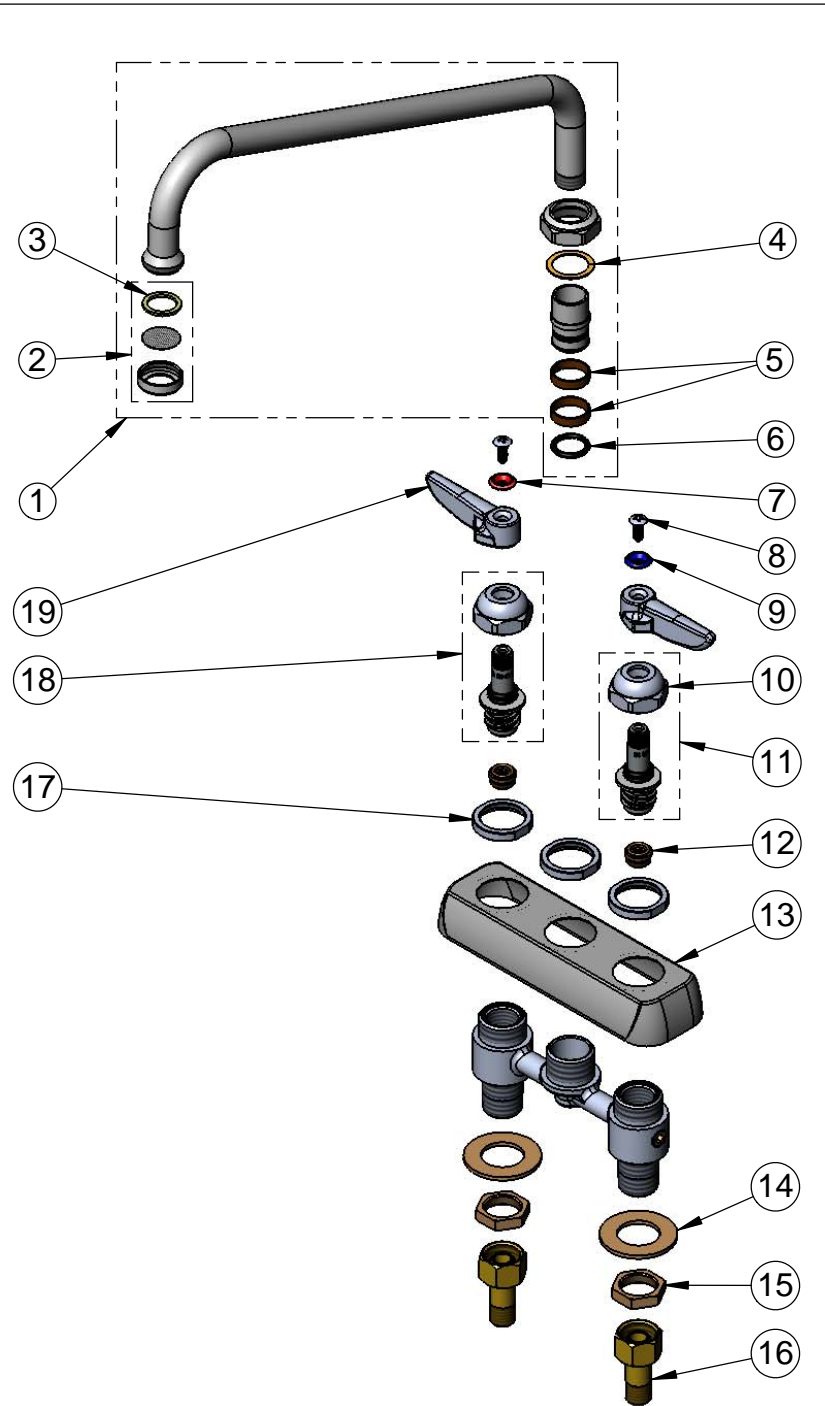
2 Saddleback Cove / P.O. Box 1088  
Travelers Rest, SC 29690

Model No.

**B-1113**

Item No.

Travelers Rest, SC: 800-476-4103 • Simi Valley, CA: 800-423-0150 • Fax: 864-834-3518 • www.tsbrass.com



ITEM NO.	SALES NO.	DESCRIPTION
1	062X	12" Swing Nozzle
2	B-PT	Stream Regulator
3	001048-45	Nozzle Tip Washer
4	009538-45	Swivel Washer
5	011429-45	Swivel Sleeves (2)
6	001074-45	O-Ring
7	001661-45	Red Index-HW
8	000922-45	Lever Handle Screw
9	001660-45	Blue Index-CW
10	009749-25	Bonnet Nut
11	009754-25	B-1100 Spindle Assembly (LTC)
12	000763-20	Seat
13	001258-40	Escutcheon
14	000999-45	Brass Lock Washer
15	002954-45	Shank Lock Nut
16	150A	Bag of (1) Nut & (1) Tailpiece
17	000712-25	Escutcheon Lock Nut
18	009753-25	B-1100 Spindle Assembly (RTC)
19	001638-45	Lever Handle

Product Specifications:  
4" Centers Workboard Faucet w/ 1/2" NPT Male Shank Inlets,  
Lever Handles & 12" Swing Nozzle w/ B-PT Stream Regulator  
Outlet

Drawn <b>DHL</b>	Checked <b>KJG</b>	Approved <b>JHB</b>
Scale: <b>NTS</b>		Date: <b>01/05/12</b>