



T&S BRASS AND BRONZE WORKS, INC.
 2 Saddleback Cove / P.O. Box 1088
 Travelers Rest, SC 29690

Model No.
B-1115

Item No.

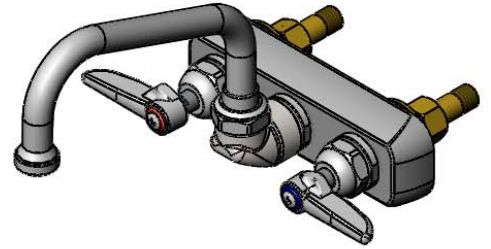
Travelers Rest, SC: 800-476-4103 • Simi Valley, CA: 800-423-0150 • Fax: 864-834-3518 • www.tsbrass.com

This Space for Architect/Engineer Approval

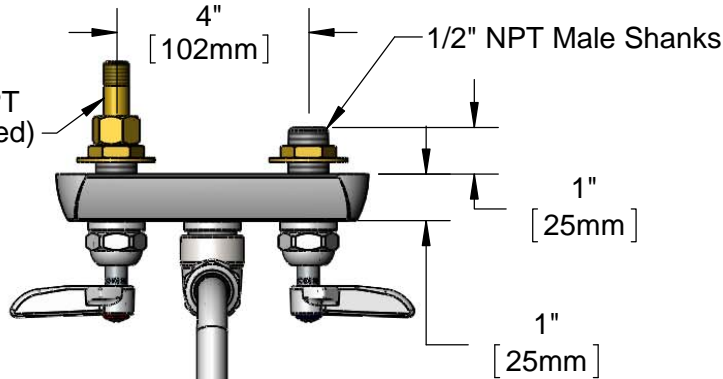
Job Name _____ Date _____
 Model Specified _____ Quantity _____
 Customer/Wholesaler _____
 Contractor _____
 Architect/Engineer _____



ADA Compliant



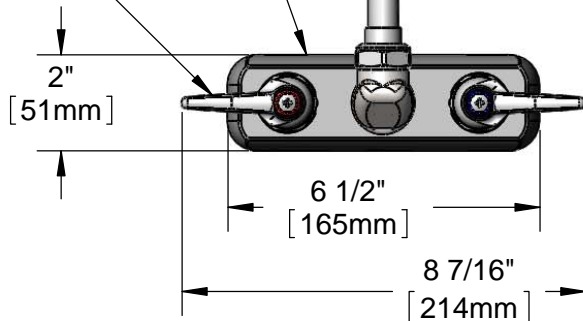
(2) 150A
 Optional Tailpiece
 and Nut for 1/4" NPT
 Connection (Included)



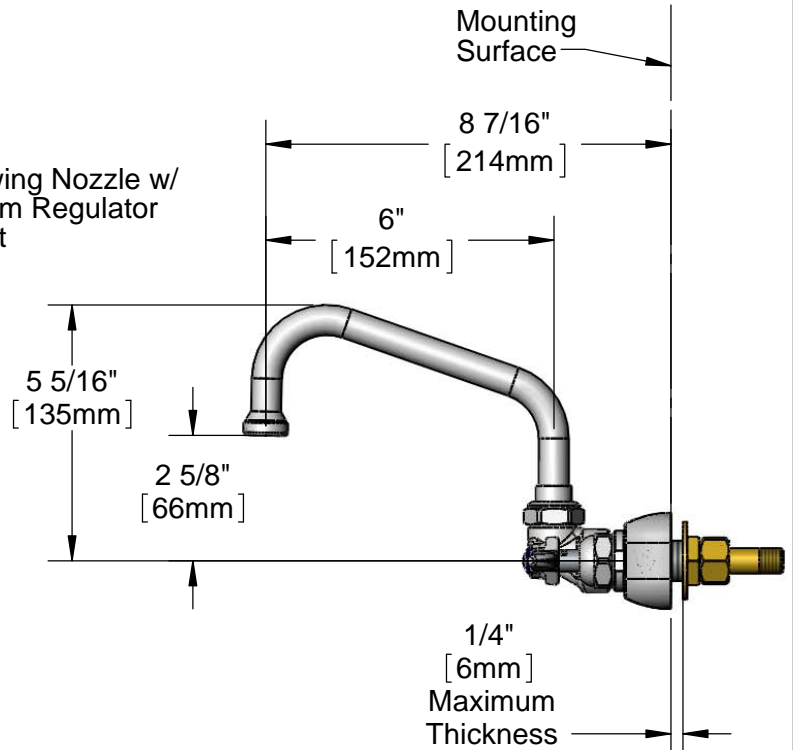
B-1100-K
 Elbow Kit w/
 (2) 1/2" NPT Male
 90° Elbows
 (Sold Separately)

Polished Chrome
 Plated Escutcheon

Lever Handles
 w/ Color Coded
 Indexes



059X
 6" Swing Nozzle w/
 Stream Regulator
 Outlet



Rough-In Requirement:
 (2) \varnothing 1" [25mm] Mounting Holes

Product Specifications:
 4" Wall Mount Workboard Faucet w/ Lever Handles, 6" Swing Nozzle,
 Stream Regulator Outlet & 1/2" NPT Male Shanks

Drawn KJG	Checked JRM	Approved JHB
---------------------	-----------------------	------------------------

Scale: 1:4	Date: 07/20/12
----------------------	--------------------------



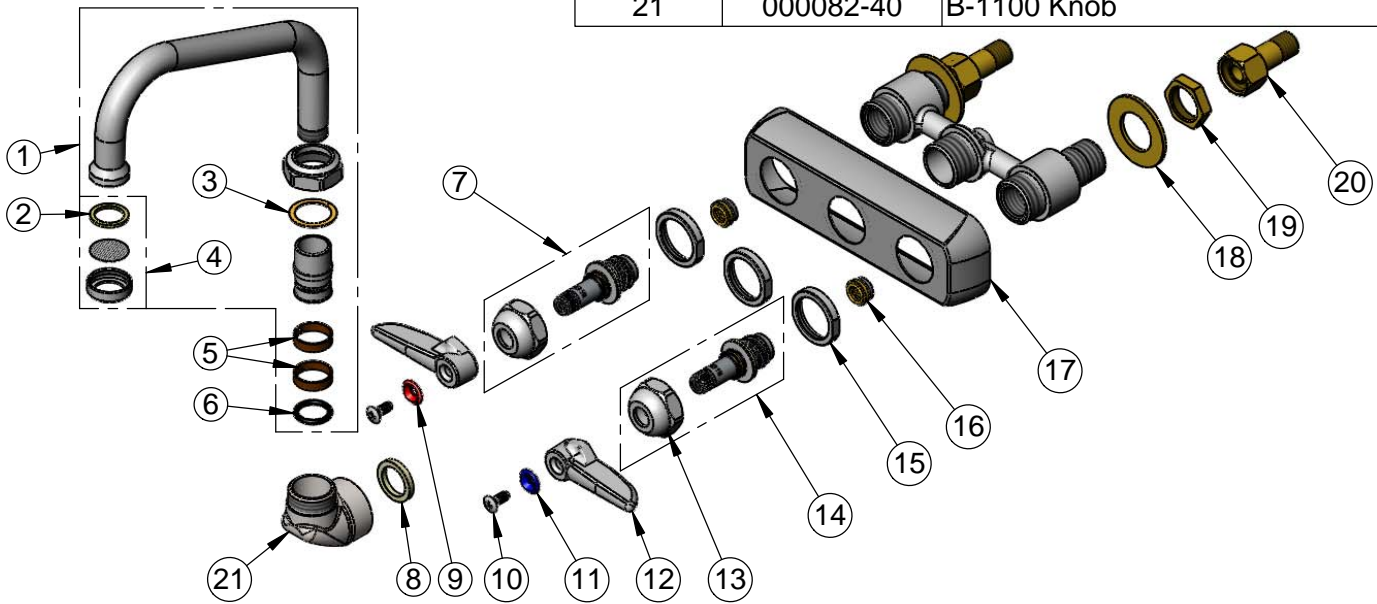
T&S BRASS AND BRONZE WORKS, INC.
 2 Saddleback Cove / P.O. Box 1088
 Travelers Rest, SC 29690

Model No.
B-1115

Item No.

Travelers Rest, SC: 800-476-4103 • Simi Valley, CA: 800-423-0150 • Fax: 864-834-3518 • www.tsbrass.com

ITEM NO.	SALES NO.	DESCRIPTION
1	059X	6" Swing Nozzle
2	001048-45	Nozzle Tip Washer
3	009538-45	Swivel Washer
4	B-PT	Stream Regulator Outlet
5	011429-45	Swivel Sleeves (2)
6	001074-45	O-Ring
7	009754-25	B-1100 Spindle Assembly, LTC
8	001017-45	Washer
9	001661-45	Red Index-HW
10	000922-45	Lever Handle Screw
11	001660-45	Blue Index-CW
12	001638-45	Lever Handle
13	009749-25	Bonnet Nut
14	009753-25	B-1100 Spindle Assembly, RTC
15	000712-25	Escutcheon Lock Nut
16	000763-20	Seat
17	001258-40	Escutcheon
18	000999-45	Brass Lock Washer
19	002954-45	Shank Lock Nut
20	150A	1/4" NPT Tailpiece & Nut
21	000082-40	B-1100 Knob



Product Specifications:
 4" Wall Mount Workboard Faucet w/ Lever Handles, 6" Swing Nozzle,
 Stream Regulator Outlet & 1/2" NPT Male Shanks

Drawn KJG	Checked JRM	Approved JHB
Scale: NTS		Date: 07/20/12