



T&S BRASS AND BRONZE WORKS, INC.

2 Saddleback Cove / P.O. Box 1088
Travelers Rest, SC 29690

Model No.

B-1117

Item No.

Travelers Rest, SC: 800-476-4103 • Simi Valley, CA: 800-423-0150 • Fax: 864-834-3518 • www.tsbrass.com

This Space for Architect/Engineer Approval

Job Name _____ Date _____

Model Specified _____ Quantity _____

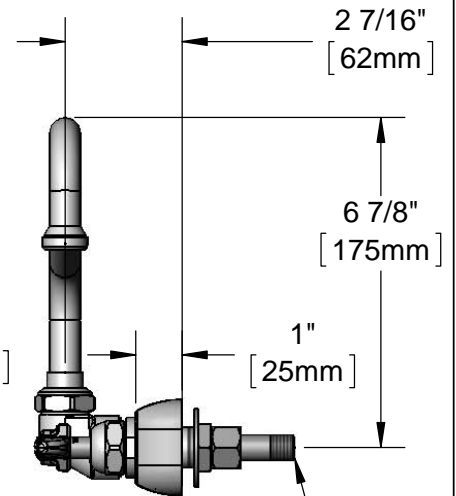
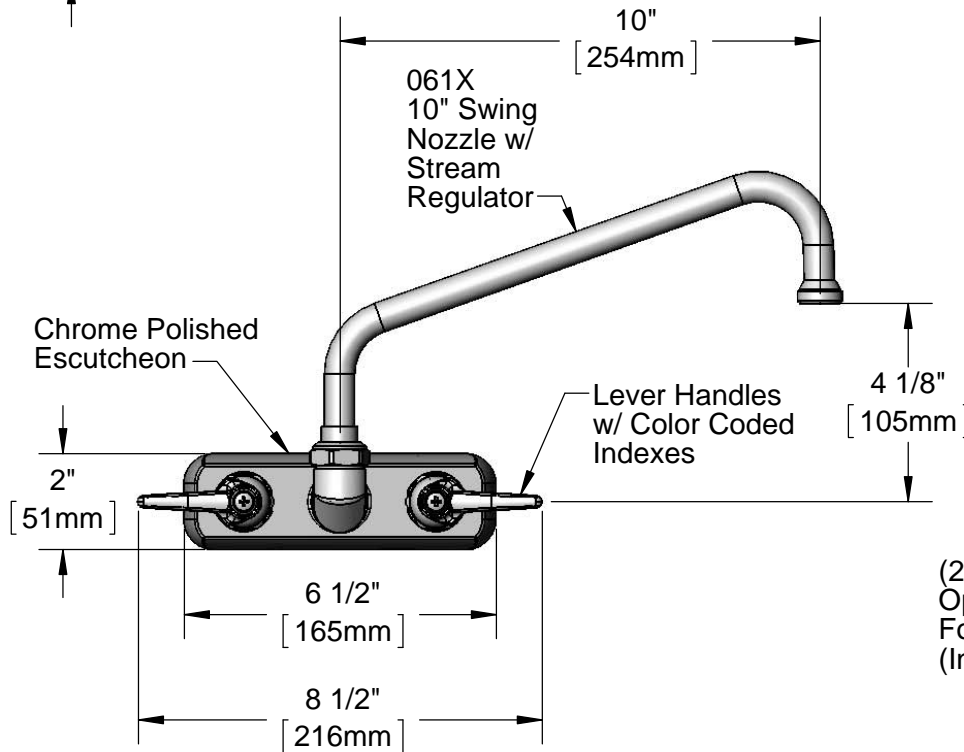
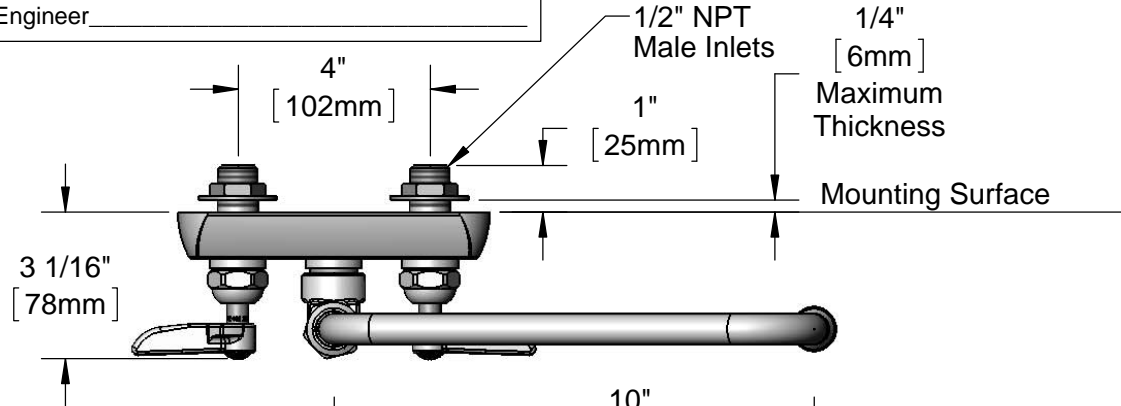
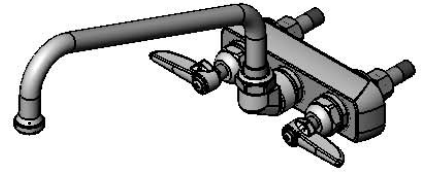
Customer/Wholesaler _____

Contractor _____

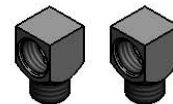
Architect/Engineer _____



ADA Compliant



(2) 150A
Optional Tailpiece & Nut
For 1/4" NPT Connection
(Included)



B-1100-K
Elbow Kit
(Sold Separately)

Rough-In Requirement:
(2) ϕ 1" [25mm] Mounting Holes

Product Specifications:
4" Wall Mount Workboard Faucet, Lever Handles, 10" Swing Nozzle w/ Stream Regulator Outlet & 1/2" NPT Male Shank Inlets

Drawn DHL	Checked DMH	Approved JHB
---------------------	-----------------------	------------------------

Scale: 1:4	Date: 11/02/12
----------------------	--------------------------



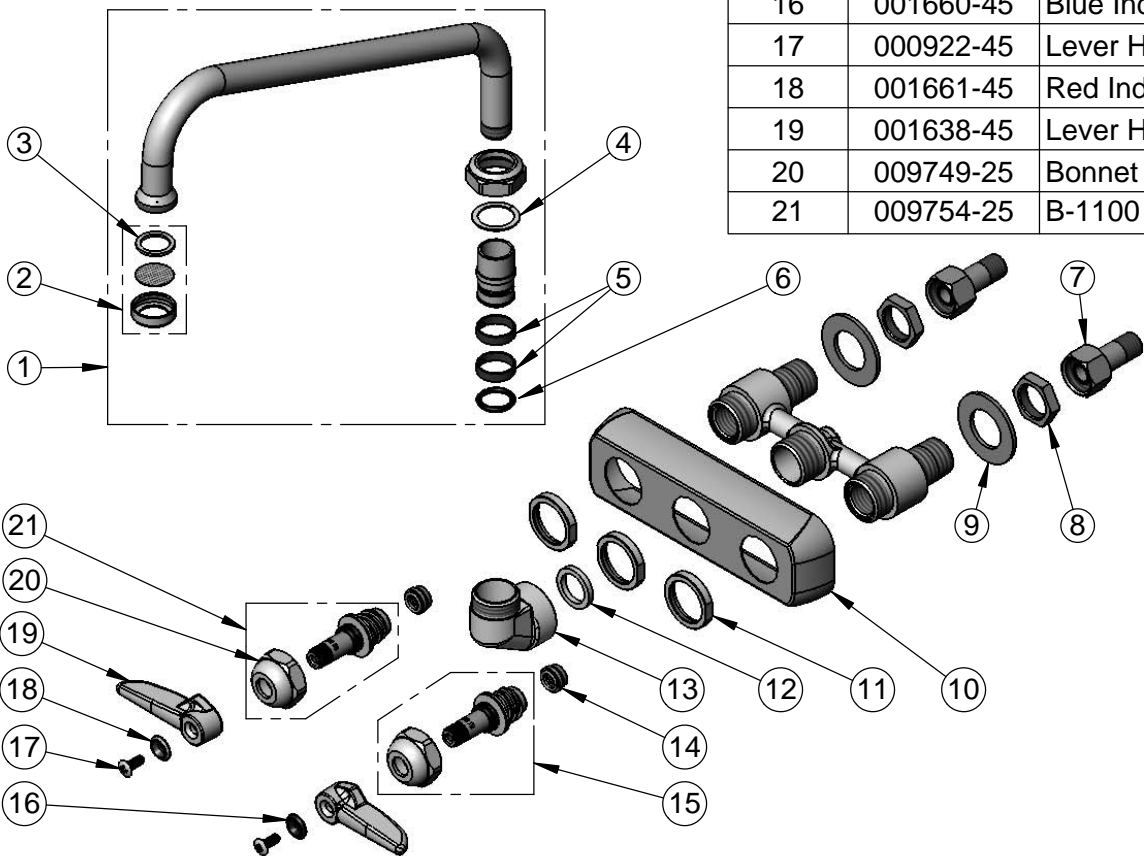
T&S BRASS AND BRONZE WORKS, INC.
 2 Saddleback Cove / P.O. Box 1088
 Travelers Rest, SC 29690

Model No.
B-1117

Item No.

Travelers Rest, SC: 800-476-4103 • Simi Valley, CA: 800-423-0150 • Fax: 864-834-3518 • www.tsbrass.com

ITEM NO.	SALES NO.	DESCRIPTION
1	061X	10" Swing Nozzle
2	B-PT	Stream Regulator
3	001048-45	Nozzle Tip Washer
4	009538-45	Swivel Washer
5	011429-45	Swivel Sleeves (2)
6	001074-45	O-Ring
7	150A	Bag Of (1) Tailpiece & (1) Nut
8	002954-45	Shank Lock Nut
9	000999-45	Brass Lock Washer
10	001258-40	Escutcheon
11	000712-25	Escutcheon Lock Nut
12	001017-45	Washer
13	000082-40	B-1100 Knob
14	000763-20	Seat
15	009753-25	B-1100 Spindle Assembly, RTC
16	001660-45	Blue Index-CW
17	000922-45	Lever Handle Screw
18	001661-45	Red Index-HW
19	001638-45	Lever Handle
20	009749-25	Bonnet Nut
21	009754-25	B-1100 Spindle Assembly, LTC



Product Specifications:
 4" Wall Mount Workboard Faucet, Lever Handles, 10" Swing Nozzle
 w/ Stream Regulator Outlet & 1/2" NPT Male Shank Inlets

Drawn DHL	Checked DMH	Approved JHB
Scale: NTS		Date: 11/02/12