



**T&S BRASS AND BRONZE WORKS, INC.**  
 2 SADDLEBACK COVE / P.O. BOX 1088 / TRAVELERS REST, SC 29690  
 PHONE 800-476-4103 - FAX 864- 834-3518



Model No.

B-1118

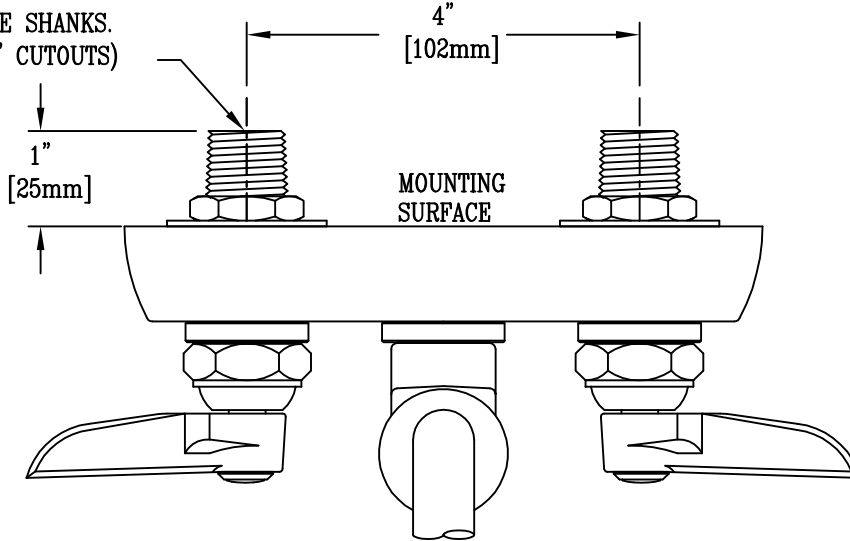
**RELIABILITY  
 BUILT IN**

Job Name:

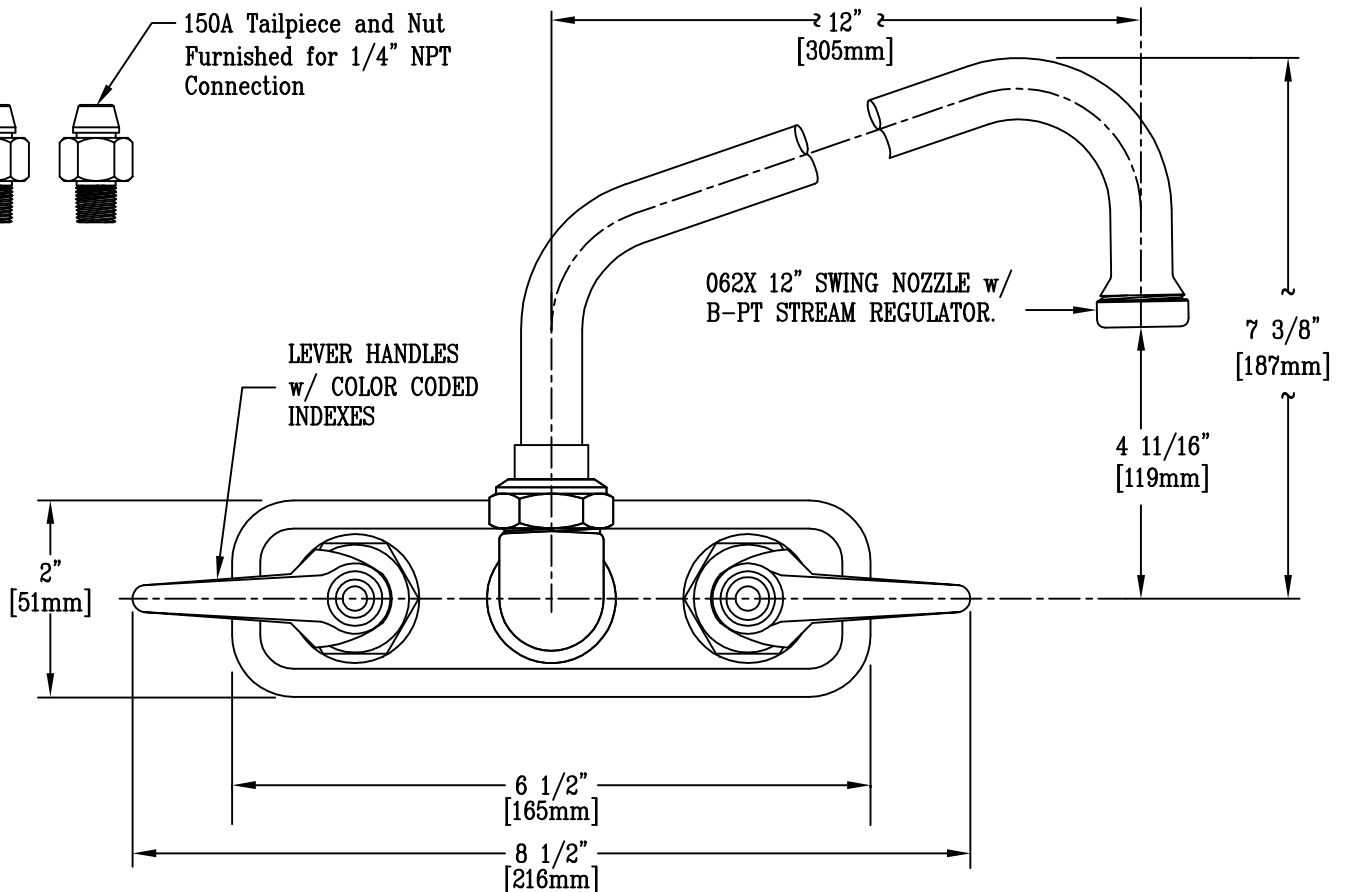
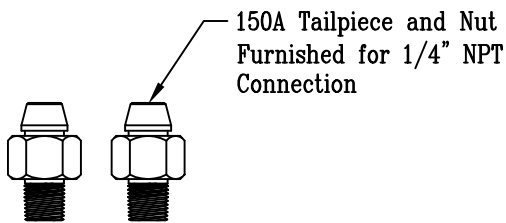
Architect/Engineer Approval:

Notes:

1/2" NPT MALE SHANKS.  
 (REQUIRES Ø1" CUTOUTS)



**ADA Compliant**



Product Description:  
 WALL MOUNT WORKBOARD FAUCET WITH 1/2" NPT MALE SHANKS, 4" INLET CENTERS, 062X 12" SWING NOZZLE, B-PT STREAM REGULATOR & LEVER HANDLES

Drawn:

KJG

Checked:

JRM

Scale:

1 : 2

Approved:

JHB

Date:

12/19/07