



# T&S BRASS AND BRONZE WORKS, INC.

2 Saddleback Cove / P.O. Box 1088  
Travelers Rest, SC 29690



REG. #A2601  
ISO #9001

Model No.

**B-1120-F22**

Item No.

Travelers Rest, SC: 800-476-4103 Simi Valley, CA: 800-423-0150 Fax: 864-834-3518 www.tsbrass.com

This Space for Architect/Engineer Approval

Job Name \_\_\_\_\_ Date \_\_\_\_\_

Model Specified \_\_\_\_\_ Quantity \_\_\_\_\_

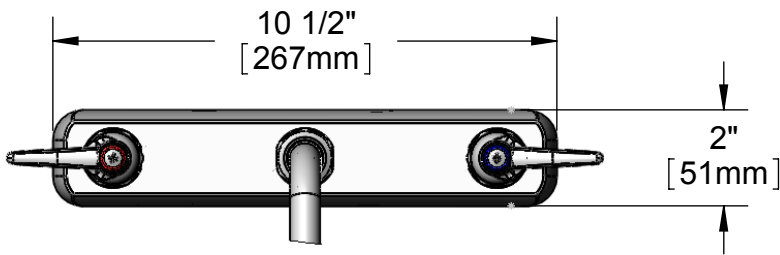
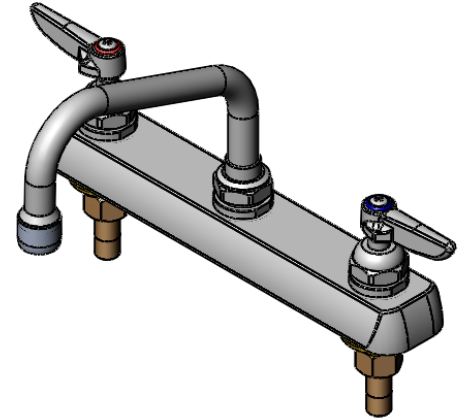
Customer/Wholesaler \_\_\_\_\_

Contractor \_\_\_\_\_

Architect/Engineer \_\_\_\_\_



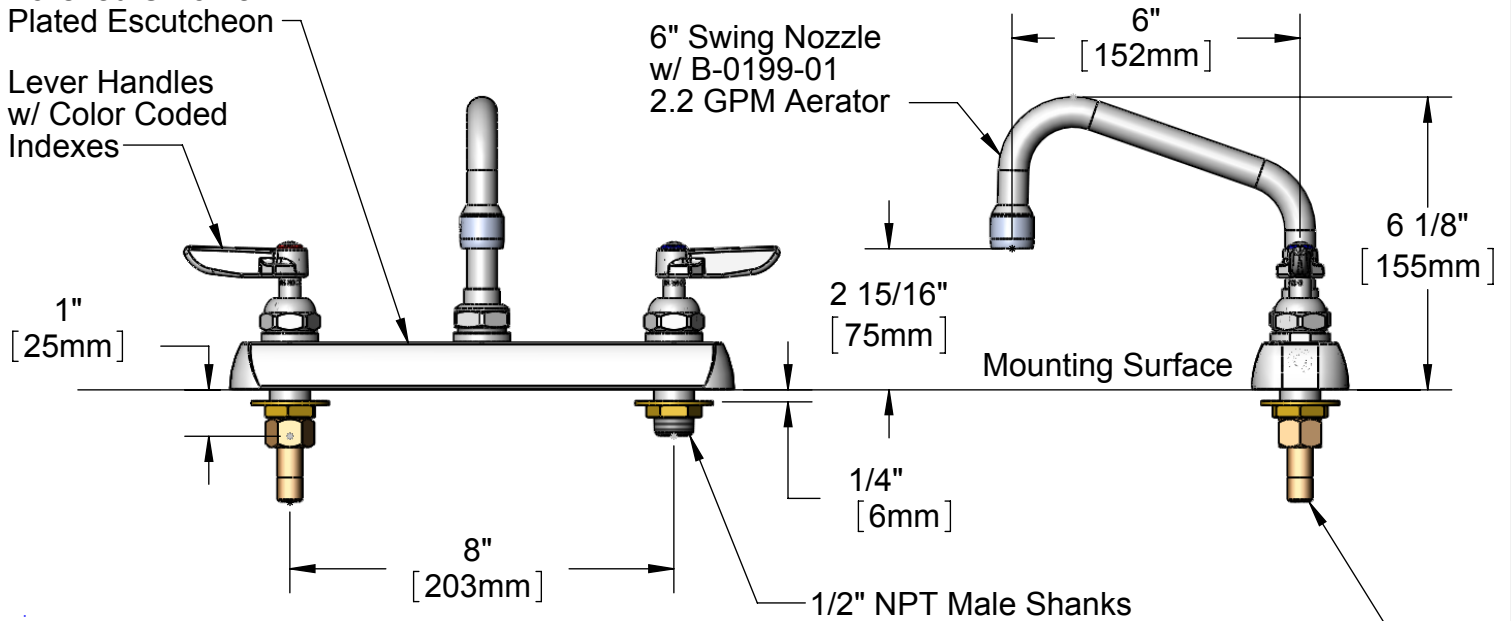
**ADA Compliant**



Polished Chrome Plated Escutcheon

Lever Handles w/ Color Coded Indexes

6" Swing Nozzle w/ B-0199-01 2.2 GPM Aerator



Note: Rough-In Requirement  
(2) Ø 1" [25mm] Mounting Holes

150A Tailpiece and Nut  
Furnished for 1/4" NPT  
Connection

Product Specifications:

8" Inlet Centers Workboard Faucet, Lever Handles, 6" Swing Nozzle w/ 2.2 GPM Aerator & 1/2" NPT Male Shanks

Drawn DHL	Checked JRM	Approved JHB
Scale: 1:4		Date: 08/22/11



**T&S BRASS AND BRONZE WORKS, INC.**

2 Saddleback Cove / P.O. Box 1088  
Travelers Rest, SC 29690



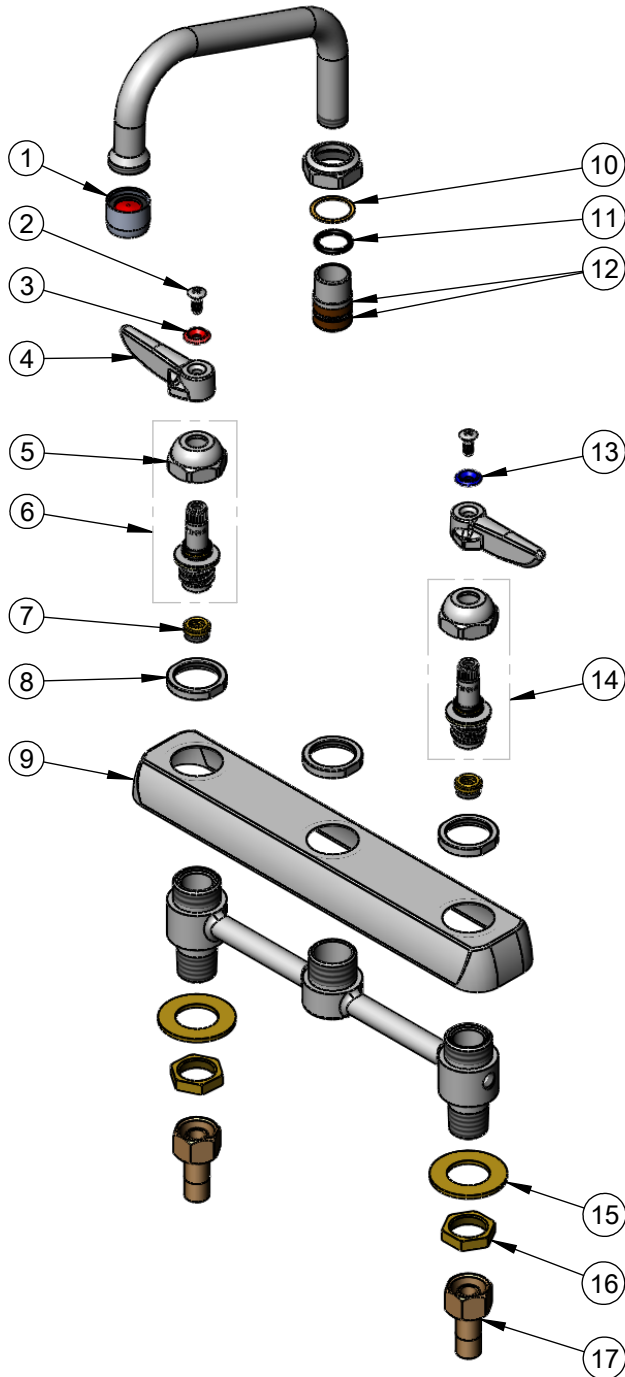
REG. #A2601  
ISO #9001

Model No.

**B-1120-F22**

Item No.

Travelers Rest, SC: 800-476-4103 • Simi Valley, CA: 800-423-0150 • Fax: 864-834-3518 • www.tsbrass.com



ITEM NO.	SALES NO.	DESCRIPTION
1	B-0199-01	2.2 GPM Aerator, Female
2	000922-45	Lever Handle Screw
3	001661-45	Red Index-HW
4	001638-45	Lever Handle
5	009749-25	Bonnet Nut
6	009753-25	Spindle Assembly - RH
7	000763-20	Seat
8	000712-25	Escutcheon Lock Nut
9	001259-40	Escutcheon
10	009538-45	Swivel Washer
11	001074-45	O-Ring
12	011429-45	Swivel Sleeves (2)
13	001660-45	Blue Index-CW
14	009754-25	Spindle Assembly - LH
15	000999-45	Brass Lock Washer
16	002954-45	Shank Lock Nut
17	150A	Bag of (1) Nut & (1) Tailpiece

Product Specifications:

8" Inlet Centers Workboard Faucet, Lever Handles, 6" Swing Nozzle w/ 2.2 GPM Aerator & 1/2" NPT Male Shanks

Drawn

DHL

Checked

JRM

Approved

JHB

Scale:

NTS

Date:

08/22/11