



T&S BRASS AND BRONZE WORKS, INC.

2 Saddleback Cove / P.O. Box 1088
Travelers Rest, SC 29690

Model No.

B-1120-XS-LN

Item No.

Travelers Rest, SC: 800-476-4103 • Simi Valley, CA: 800-423-0150 • Fax: 864-834-3518 • www.tsbrass.com

This Space for Architect/Engineer Approval

Job Name _____ Date _____

Model Specified _____ Quantity _____

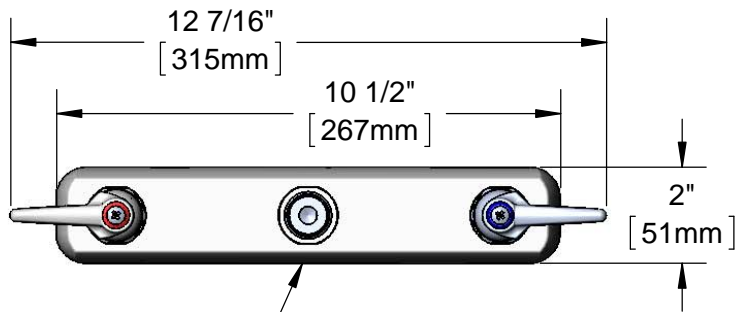
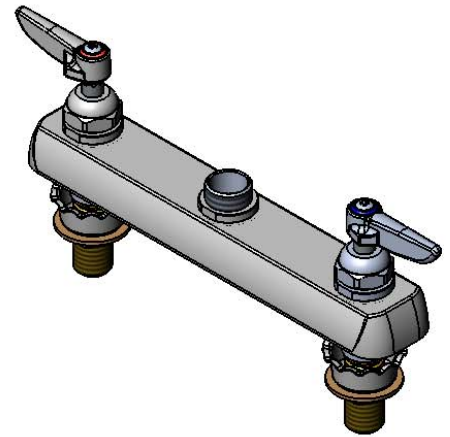
Customer/Wholesaler _____

Contractor _____

Architect/Engineer _____



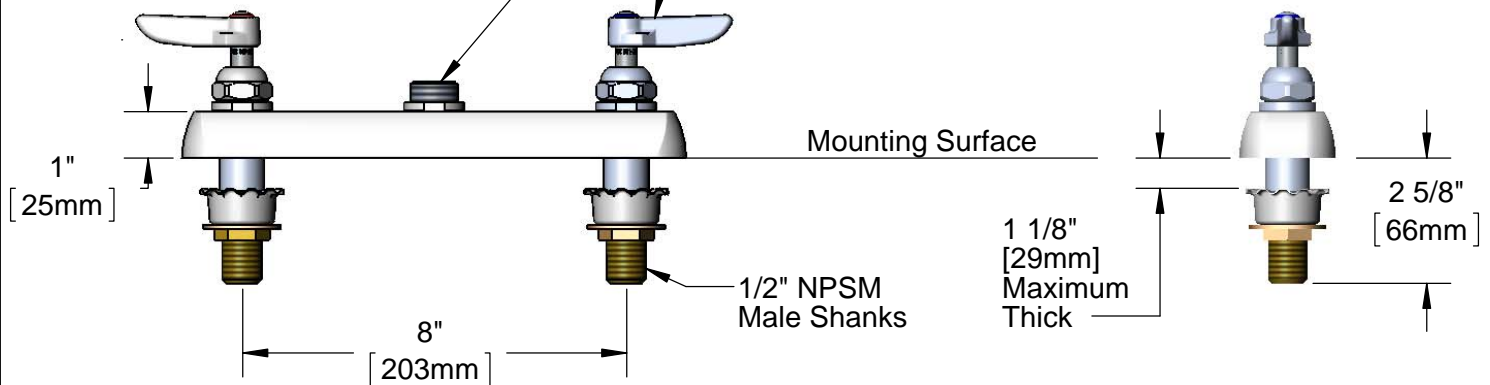
ADA Compliant



Polished Chrome
Plated Escutcheon

Swivel Outlet Accepts
Standard T&S Swing
Nozzles

Lever Handles w/
Color Coded Indexes



150A
Tailpiece and Nut
Furnished for 1/4\"/>



Rough-In Requirement:
(2) ϕ 1" [25mm] Mounting Holes

Product Specifications:
8" Deck Mount Workboard Faucet, Eterna Cartridges, Less Nozzle, Lever
Handles w/ Color Coded Indexes, & 1/2" NPSM Male Shanks

Drawn

KJG

Checked

GEF

Approved

JHB

Scale:

1:4

Date:

05/31/12



T&S BRASS AND BRONZE WORKS, INC.

2 Saddleback Cove / P.O. Box 1088

Travelers Rest, SC 29690

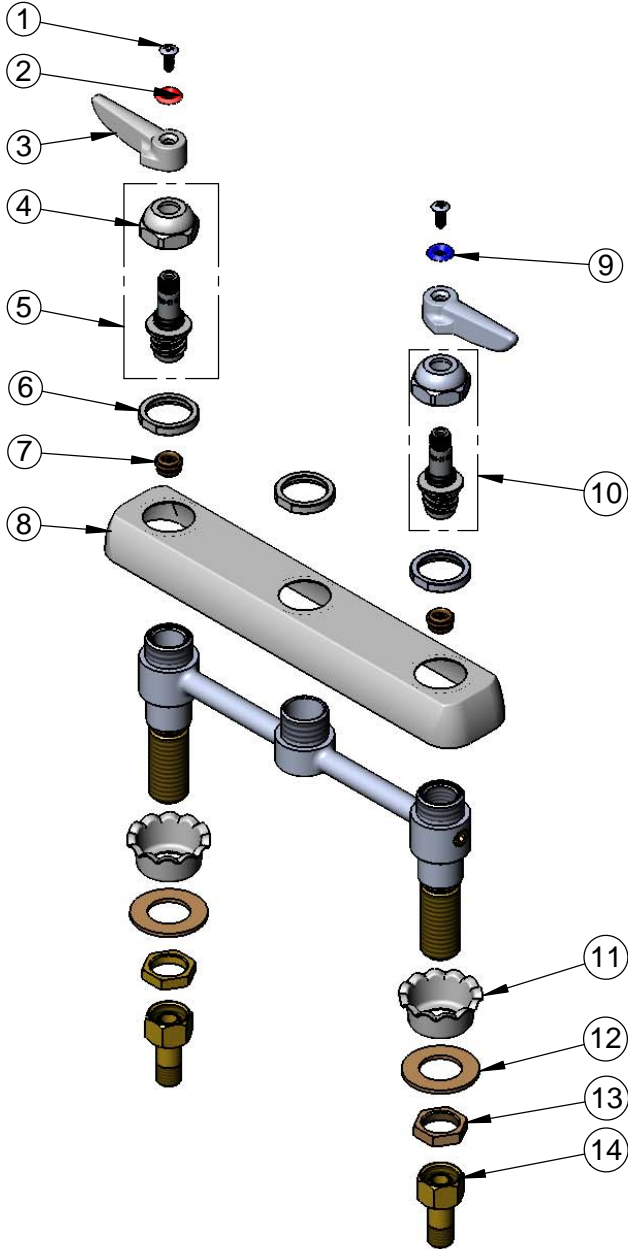
Model No.

B-1120-XS-LN

Item No.

Travelers Rest, SC: 800-476-4103 • Simi Valley, CA: 800-423-0150 • Fax: 864-834-3518 • www.tsbrass.com

ITEM NO.	SALES NO.	DESCRIPTION
1	000922-45	Lever Handle Screw
2	001661-45	Red Index-HW
3	001638-45	Lever Handle
4	009749-25	Bonnet Nut
5	009753-25	B-1100 RH Spindle Assembly
6	000712-25	Escutcheon Lock Nut
7	000763-20	Seat
8	001259-40	Escutcheon
9	001660-45	Blue Index-CW
10	009754-25	B-1100 LH Spindle Assembly
11	001000-45	Rosette Washer
12	000999-45	Brass Lock Washer
13	002954-45	Shank Lock Nut
14	150A	Bag of (1) Nut & (1) Tailpiece



Product Specifications:

8" Deck Mount Workboard Faucet, Eterna Cartridges, Less Nozzle, Lever Handles w/ Color Coded Indexes, & 1/2" NPSM Male Shanks

Drawn

KJG

Checked

GEF

Approved

JHB

Scale:

NTS

Date:

05/31/12