



**T&S BRASS AND BRONZE WORKS, INC.**  
 2 SADDLEBACK COVE / P.O. BOX 1088 / TRAVELERS REST, SC 29690  
 PHONE 800-476-4103 - FAX 864- 834-3518



Model No.

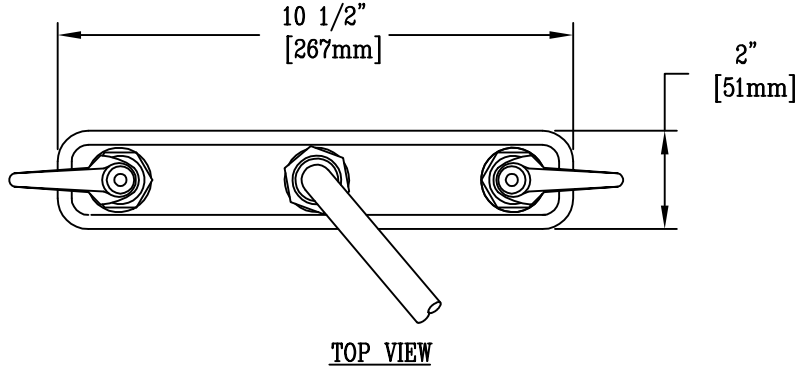
B-1124

**RELIABILITY  
 BUILT IN**

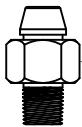
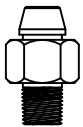
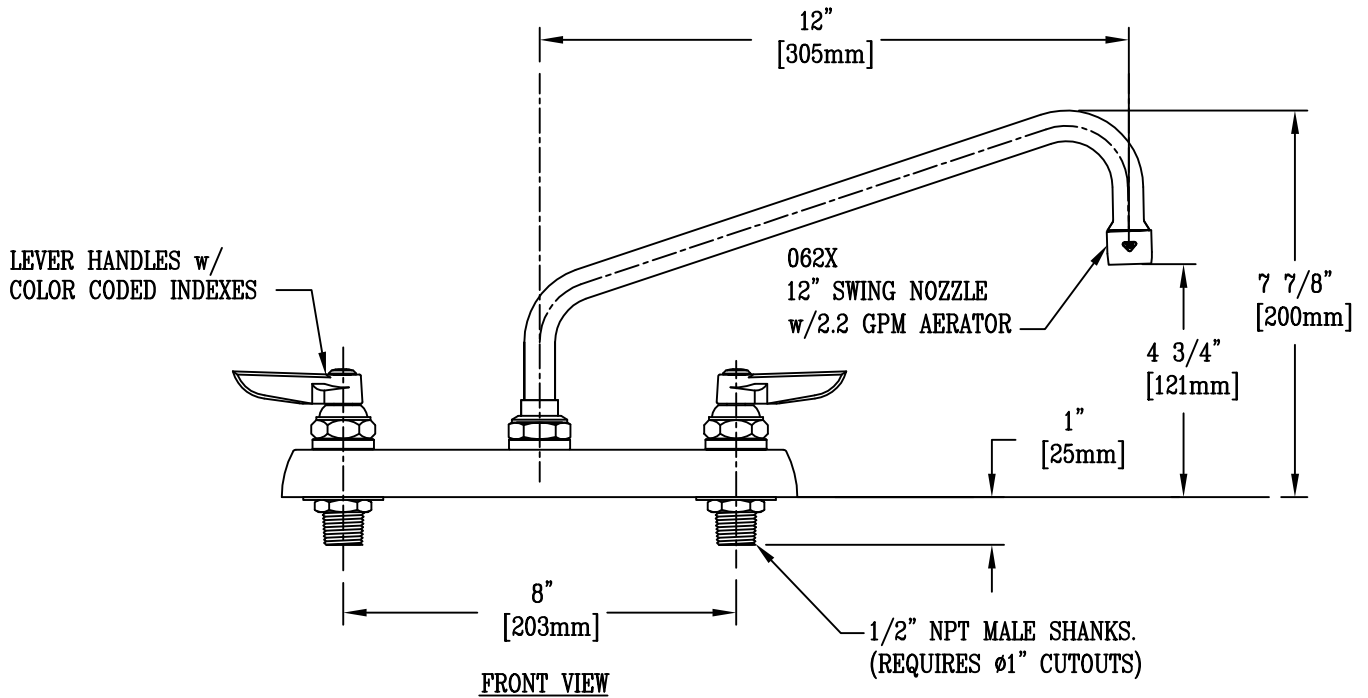
Job Name:

Architect/Engineer Approval:

Notes:



**ADA Compliant**



150A Tailpiece and Nut  
 Furnished for 1/4" NPT  
 Connection

Product Description:  
 8" c/c DECK MOUNT MIXING FAUCET w/ 1/2" NPT MALE INLETS,  
 12" SWING NOZZLE, 2.2 GPM AERATOR,  
 LEVER HANDLES

Drawn:

KJG

Checked:

JRM

Scale:

1 : 4

Approved

JHB

Date:

12/19/07