



T&S BRASS AND BRONZE WORKS, INC.

2 Saddleback Cove / P.O. Box 1088
Travelers Rest, SC 29690



REG. #A2601
ISO #9001

Model No.

B-1125-LN

Item No.

Travelers Rest, SC: 800-476-4103 Simi Valley, CA: 800-423-0150 Fax: 864-834-3518 www.tsbrass.com

This Space for Architect/Engineer Approval

Job Name _____ Date _____

Model Specified _____ Quantity _____

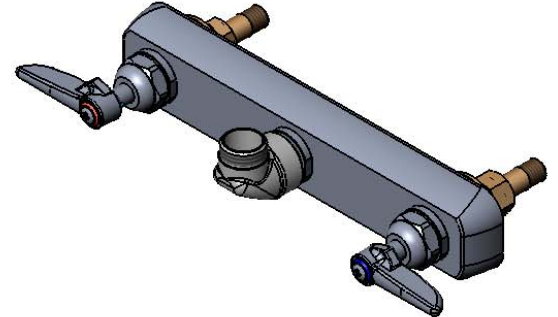
Customer/Wholesaler _____

Contractor _____

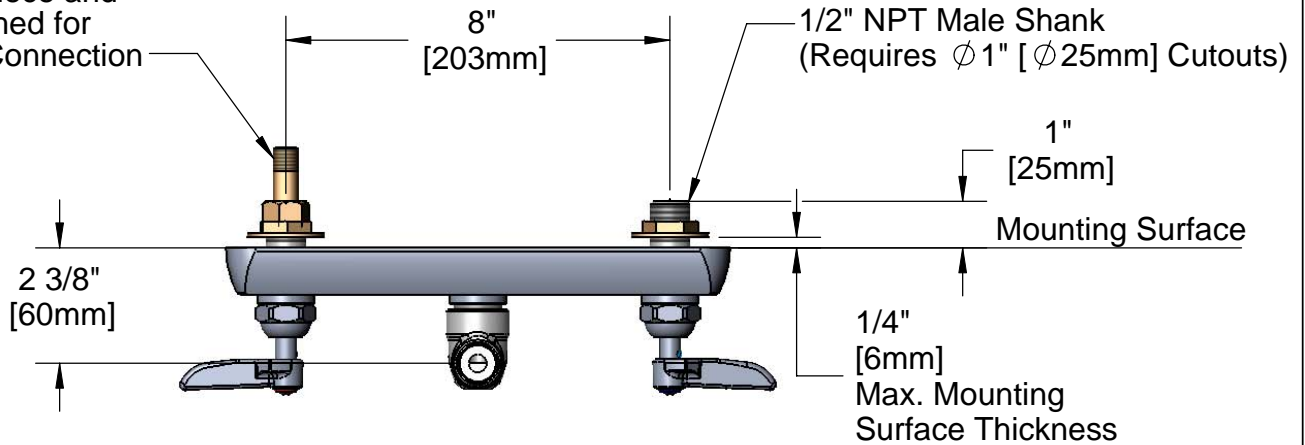
Architect/Engineer _____



ADA Compliant



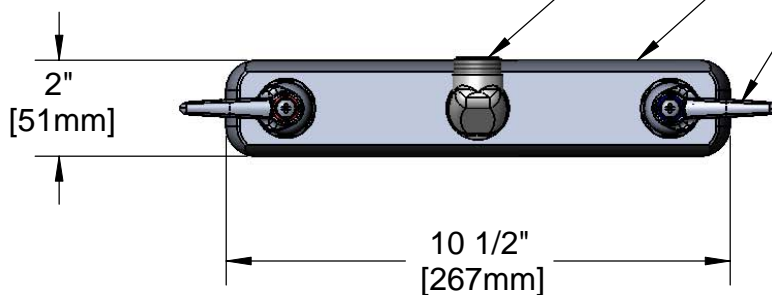
150A Tailpiece and Nut Furnished for 1/4" NPT Connection



Swivel Base Accepts Standard T&S Swing Nozzles

Polished Chrome Plated Escutcheon

Lever Handles w/ Color Coded Indexes



Product Specifications:

8" Inlet Centers Wall Mount Workboard Faucet Less Nozzle w/ Lever Handles & 1/2" NPT Male Shanks

Drawn

KJG

Checked

DHL

Approved

JHB

Scale:

1:4

Date:

09/29/08



T&S BRASS AND BRONZE WORKS, INC.

2 Saddleback Cove / P.O. Box 1088
Travelers Rest, SC 29690



REG. #A2601
ISO #9001

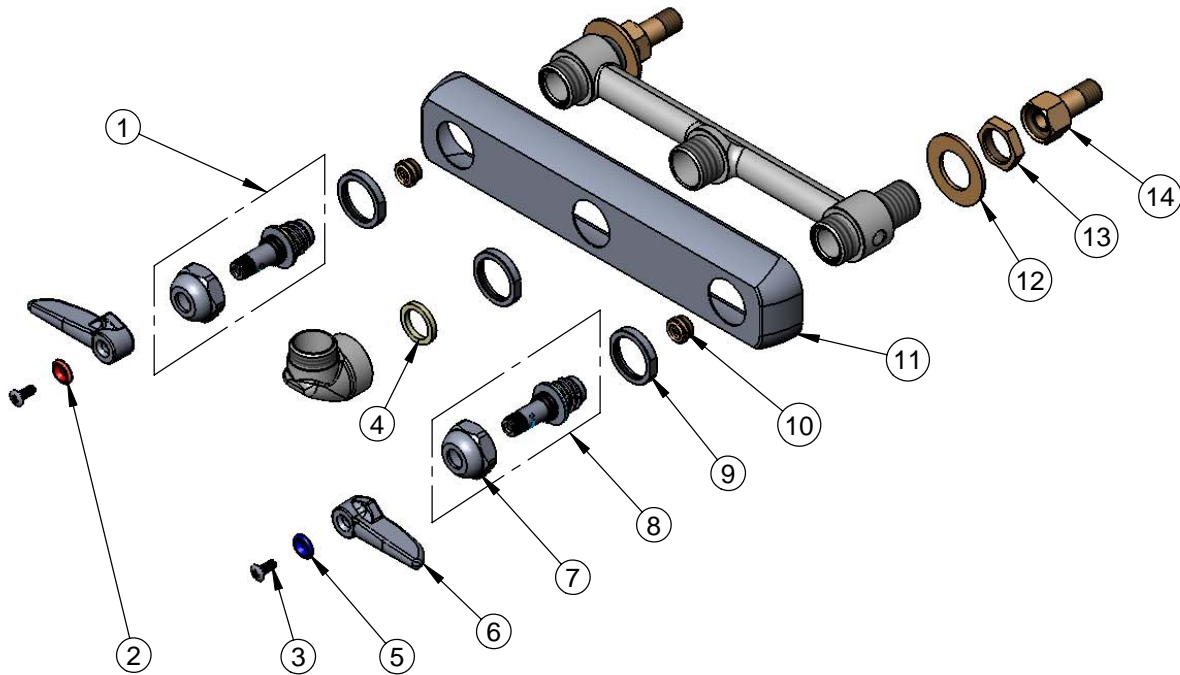
Model No.

B-1125-LN

Item No.

Travelers Rest, SC: 800-476-4103 Simi Valley, CA: 800-423-0150 Fax: 864-834-3518 www.tsbrass.com

| ITEM NO. | SALES NO. | DESCRIPTION |
|----------|-----------|--------------------------------|
| 1 | 009753-25 | B-1100 RH Spindle Assembly |
| 2 | 001661-45 | Red Index-HW |
| 3 | 000922-45 | Lever Handle Screw |
| 4 | 001017-45 | Washer |
| 5 | 001660-45 | Blue Index-CW |
| 6 | 001638-45 | Lever Handle |
| 7 | 009749-25 | Bonnet Nut |
| 8 | 009754-25 | B-1100 LH Spindle Assembly |
| 9 | 000712-25 | Escutcheon Lock Nut |
| 10 | 000763-20 | Seat |
| 11 | 001259-40 | Escutcheon |
| 12 | 000999-45 | Brass Lock Washer |
| 13 | 002954-45 | Shank Lock Nut |
| 14 | 150A | Bag of (1) Nut & (1) Tailpiece |



Product Specifications:

8" Inlet Centers Wall Mount Workboard Faucet Less Nozzle
w/ Lever Handles & 1/2" NPT Male Shanks

| | | |
|----------------------|-----------------------|--------------------------|
| Drawn KJG | Checked DHL | Approved JHB |
| Scale: 1:4 | | Date: 09/29/08 |