



T&S BRASS AND BRONZE WORKS, INC.

2 Saddleback Cove / P.O. Box 1088
Travelers Rest, SC 29690

Model No.

B-1128-XS

Item No.

Travelers Rest, SC: 800-476-4103 • Simi Valley, CA: 800-423-0150 • Fax: 864-834-3518 • www.tsbrass.com

This Space for Architect/Engineer Approval

Job Name _____ Date _____

Model Specified _____ Quantity _____

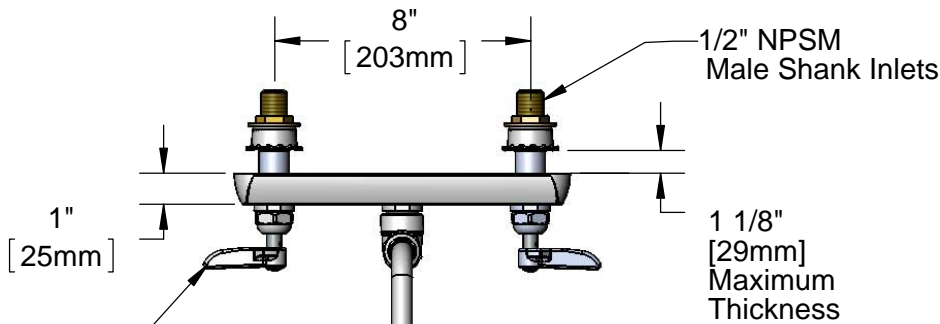
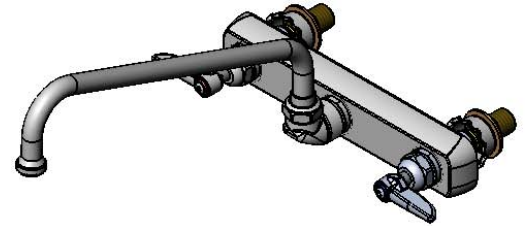
Customer/Wholesaler _____

Contractor _____

Architect/Engineer _____



ADA Compliant

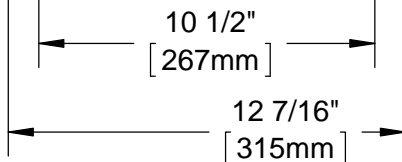


Lever Handles w/ Color Coded Indexes

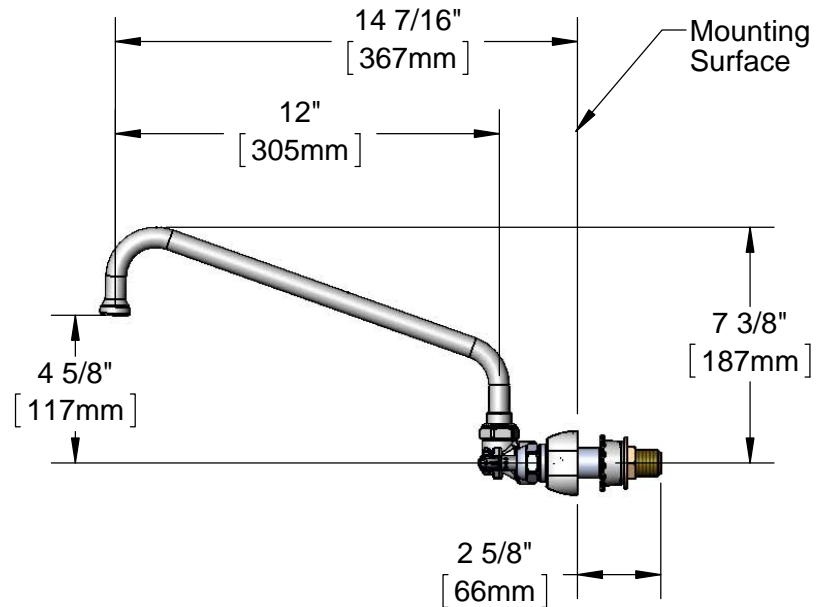
1/2" NPSM Male Shank Inlets

062X 12" Swing Nozzle w/ Stream Regulator

2" [51mm]



Rough-In Requirement:
(2) Ø 1" [25mm] Mounting Holes



Mounting Surface

150A Tailpiece and Nut Included for 1/4" NPT Connection



Product Specifications:
8" Wall Mount Workboard Faucet w/ Lever Handles, 12" Swing Nozzle, Stream Regulator, 1/2" NPSM Male Extended Shanks

Drawn KJG	Checked GEF	Approved JHB
Scale: 1:6	Date: 05/31/12	



T&S BRASS AND BRONZE WORKS, INC.

2 Saddleback Cove / P.O. Box 1088
Travelers Rest, SC 29690

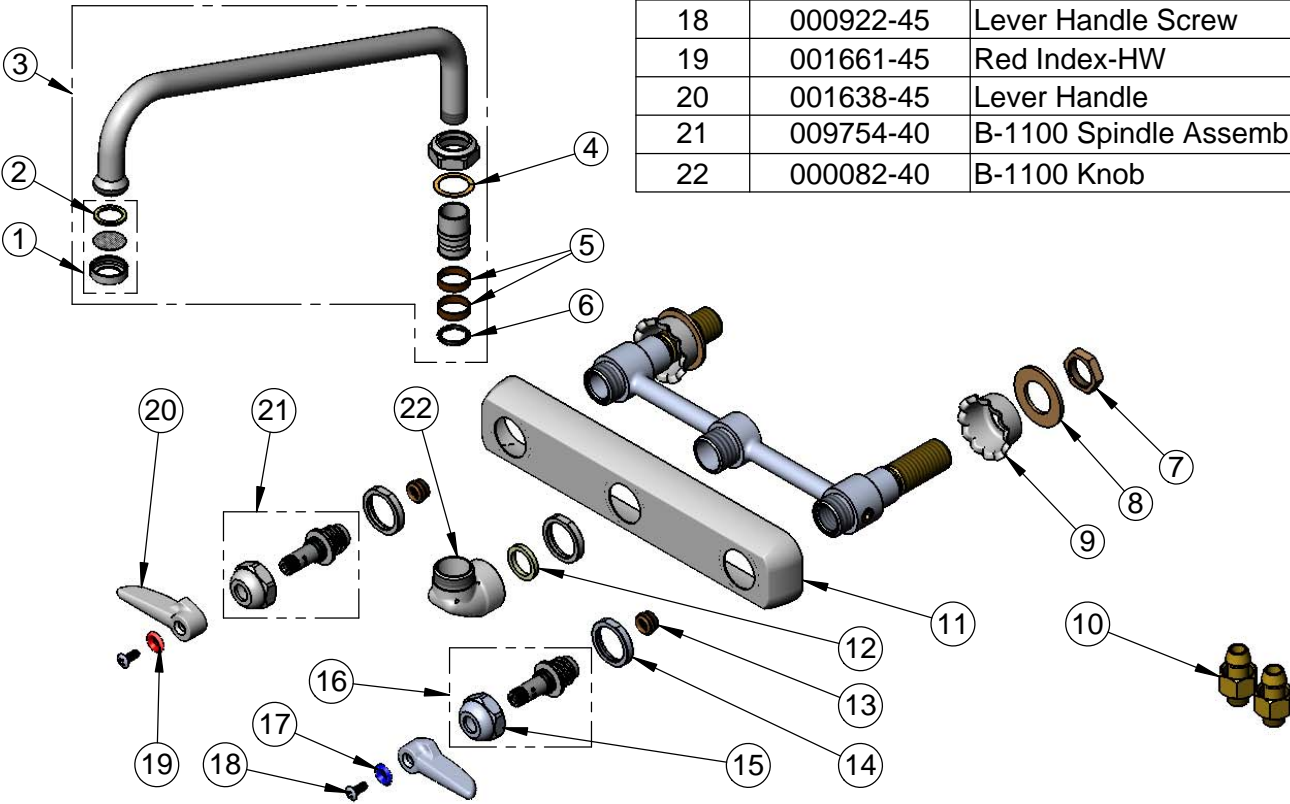
Model No.

B-1128-XS

Item No.

Travelers Rest, SC: 800-476-4103 • Simi Valley, CA: 800-423-0150 • Fax: 864-834-3518 • www.tsbrass.com

ITEM NO.	SALES NO.	DESCRIPTION
1	B-PT	Stream Regulator Outlet
2	001048-45	Nozzle Tip Washer
3	062X	12" Swing Nozzle
4	009538-45	Swivel Washer
5	011429-45	Swivel Sleeves (2)
6	001074-45	O-Ring
7	002954-45	Shank Lock Nut
8	000999-45	Brass Lock Washer
9	001000-45	Rosette Washer
10	150A	Bag of (1) Nut & (1) Tailpiece
11	001259-40	Escutcheon
12	001017-45	Washer
13	000763-20	Seat
14	000712-25	Escutcheon Lock Nut
15	009749-25	Bonnet Nut
16	009753-40	B-1100 Spindle Assembly, RTC
17	001660-45	Blue Index-CW
18	000922-45	Lever Handle Screw
19	001661-45	Red Index-HW
20	001638-45	Lever Handle
21	009754-40	B-1100 Spindle Assembly, LTC
22	000082-40	B-1100 Knob



Product Specifications:

8" Wall Mount Workboard Faucet w/ Lever Handles, 12" Swing Nozzle, Stream Regulator, 1/2" NPSM Male Extended Shanks

Drawn

KJG

Checked

GEF

Approved

JHB

Scale:

NTS

Date:

05/31/12