

T&S BRASS AND BRONZE WORKS, INC.
 2 SADDLEBACK COVE / P.O. BOX 1088 / TRAVELERS REST, SC 29690
 PHONE 800-476-4103 - FAX 864- 834-3518



Model No.

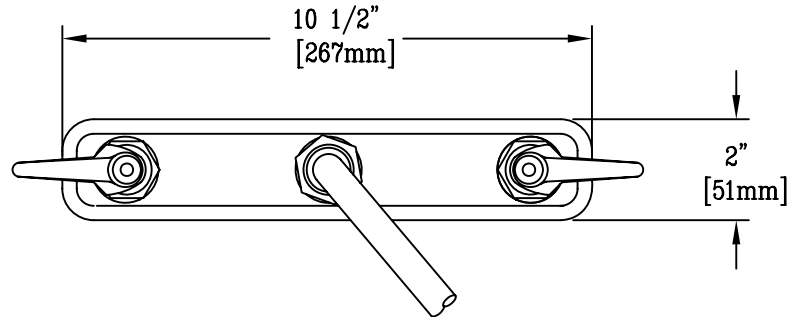
B-1134

**RELIABILITY
BUILT IN**

Job Name:

Architect/Engineer Approval:

Notes:



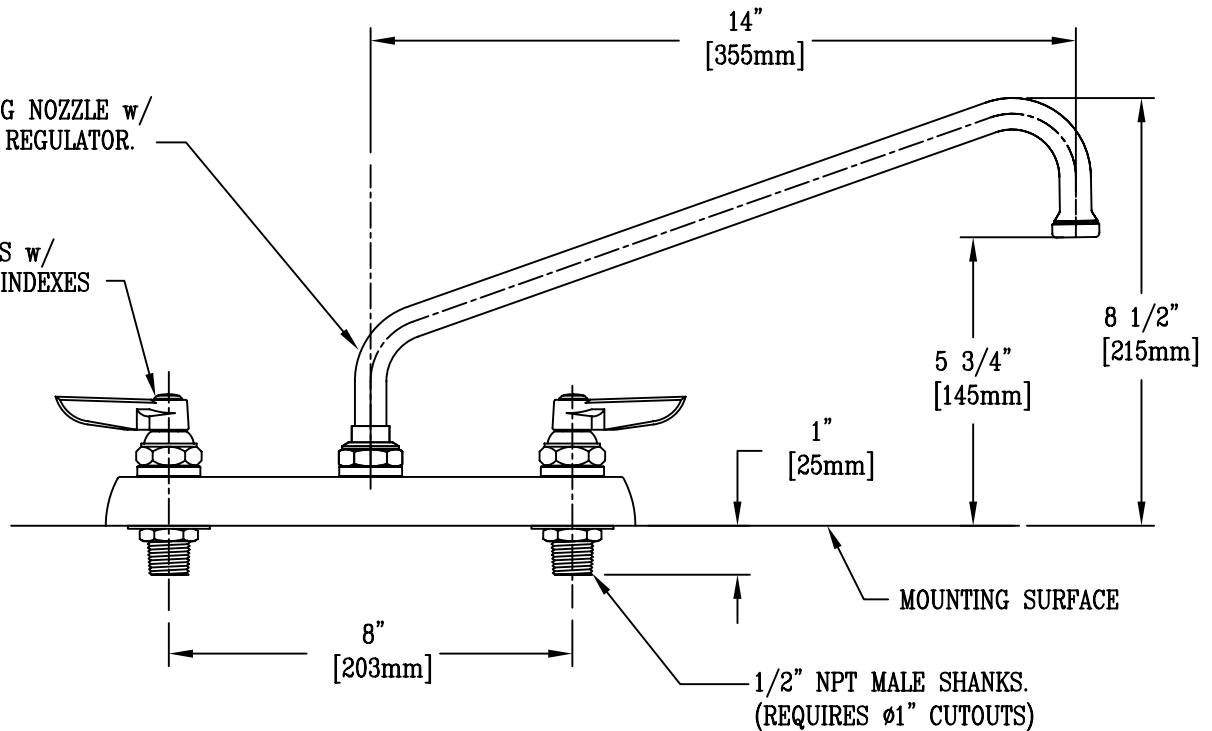
TOP VIEW



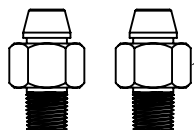
ADA Compliant

063X 14" SWING NOZZLE w/
B-PT STREAM REGULATOR.

LEVER HANDLES w/
COLOR CODED INDEXES



FRONT VIEW



150A Tailpiece and Nut
Furnished for 1/4" NPT
Connection

Product Description:
 WORKBOARD FAUCET WITH 1/2" NPT MALE SHANKS,
 8" INLET CENTERS, 14" SWING NOZZLE,
 B-PT STREAM REGULATOR & LEVER HANDLES

Drawn:

KJG

Checked

JRM

Scale:

1 : 4

Approved

JHB

Date:

12/19/07