

T&S BRASS AND BRONZE WORKS, INC.
 2 SADDLEBACK COVE / P.O. BOX 1088 / TRAVELERS REST, SC 29690
 PHONE 800-476-4103 - FAX 864- 834-3518



Model No.

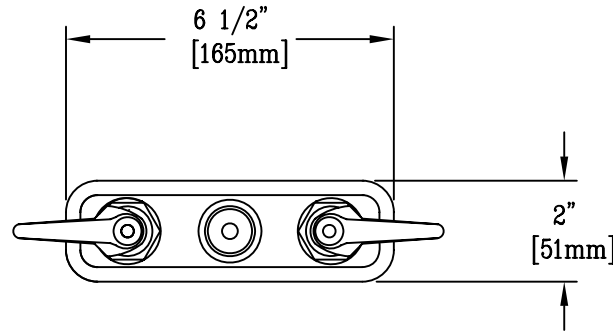
B-1138

**RELIABILITY
BUILT IN**

Job Name:

Architect/Engineer Approval:

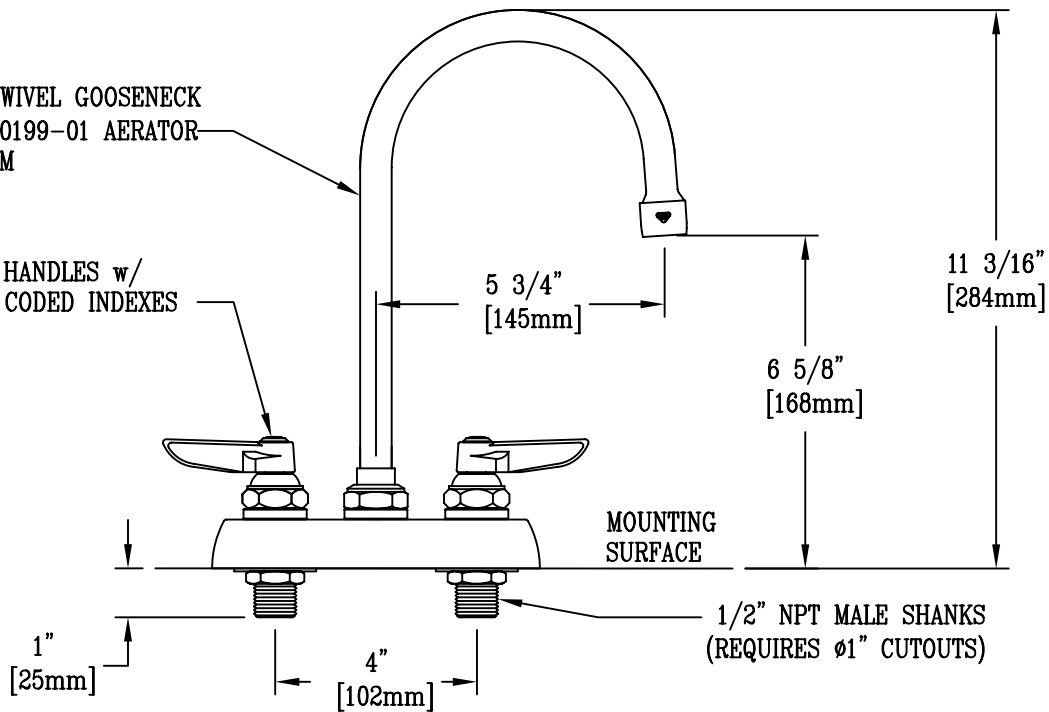
Notes:



ADA Compliant

133X SWIVEL GOOSENECK
w/ B-0199-01 AERATOR
2.2 GPM

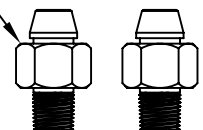
LEVER HANDLES w/
COLOR CODED INDEXES



MOUNTING SURFACE

1/2" NPT MALE SHANKS
(REQUIRES Ø1" CUTOUTS)

150A TAILPIECE AND NUT
FURNISHED FOR 1/4" NPT
CONNECTION



Product Description:
 WORKBOARD FAUCET w/ 1/2" NPT MALE SHANKS,
 4" INLET CENTERS, 133X SWIVEL GOOSENECK,
 B-0199-01 AERATOR & LEVER HANDLES

Drawn:

KJG

Checked

DHL

Scale:

1 : 4

Approved

JHB

Date:

3/27/09