



T&S BRASS AND BRONZE WORKS, INC.
 2 Saddleback Cove / P.O. Box 1088
 Travelers Rest, SC 29690

Model No.
B-1146-01A

Item No.

Travelers Rest, SC: 800-476-4103 • Simi Valley, CA: 800-423-0150 • Fax: 864-834-3518 • www.tsbrass.com

This Space for Architect/Engineer Approval

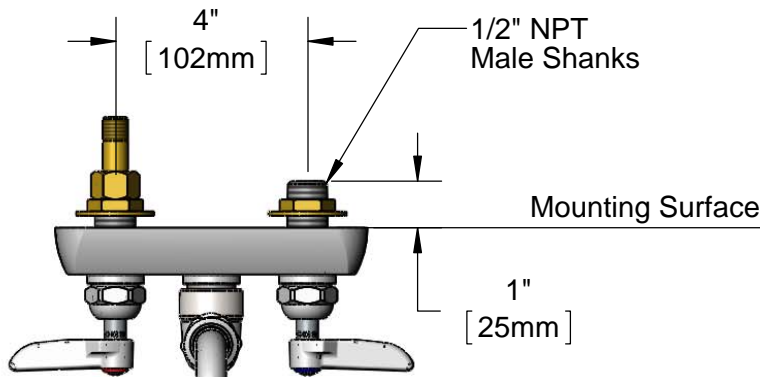
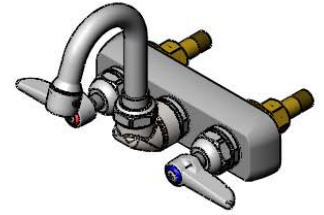
Job Name _____ Date _____

Model Specified _____ Quantity _____

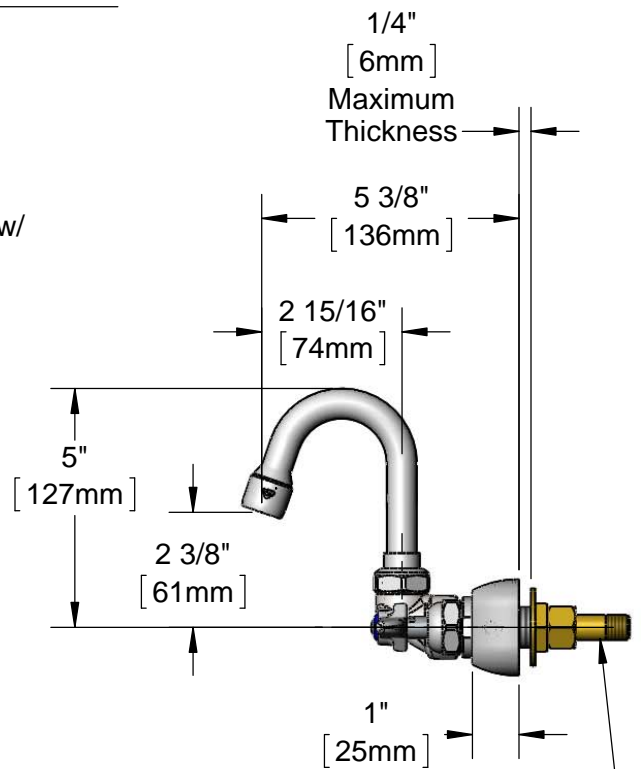
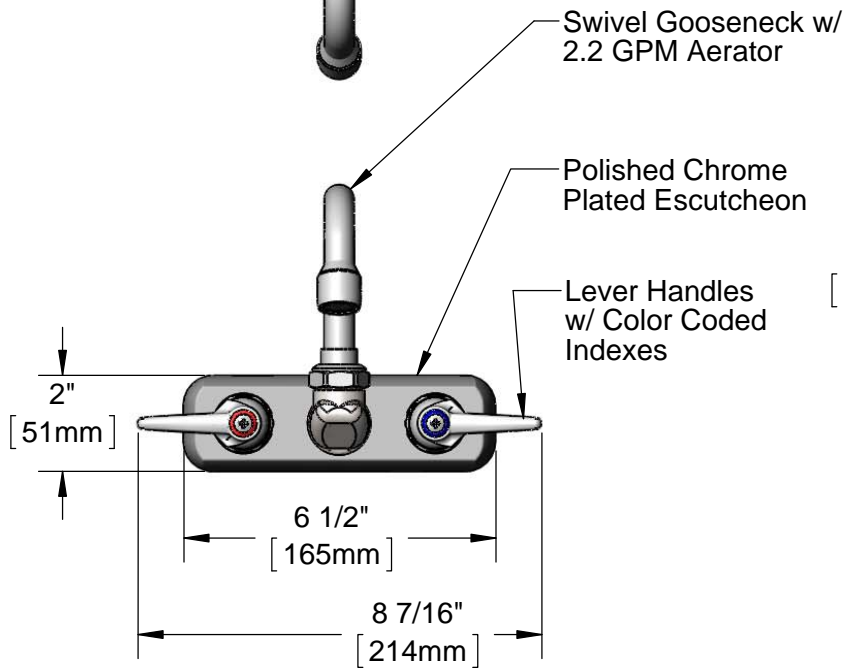
Customer/Wholesaler _____

Contractor _____

Architect/Engineer _____



B-1100-K
 Elbow Kit w/
 (2) 1/2" NPT Male
 90° Elbows
 (Sold Separately)



(2) 150A
 Optional Tailpiece and Nut
 for 1/4" NPT Connection
 (Included)

Rough-In Requirement:
 (2) \varnothing 1" [25mm] Mounting Holes

Product Specifications:
 4" Wall Mount Workboard Faucet w/ Lever Handles, Swivel Gooseneck,
 2.2 GPM Aerator & 1/2" NPT Male Shanks

Drawn KJG	Checked JRM	Approved JHB
Scale: 1:4		Date: 07/20/12



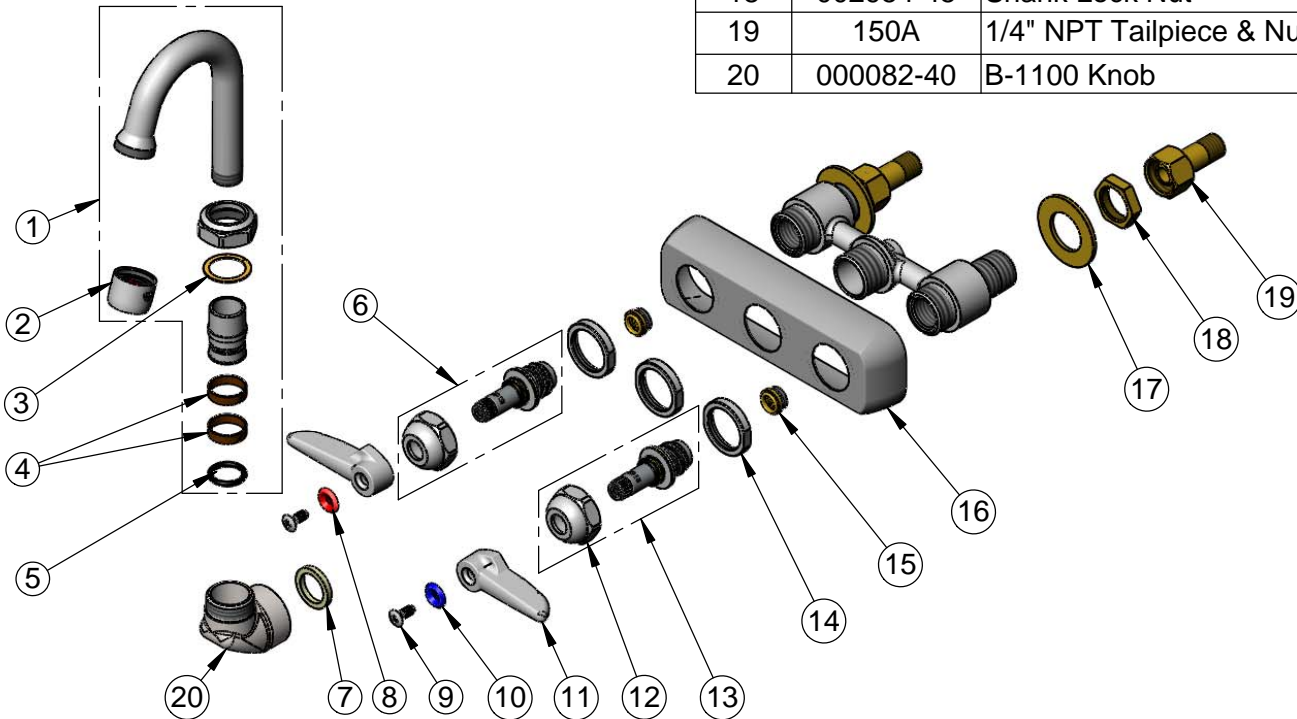
T&S BRASS AND BRONZE WORKS, INC.
 2 Saddleback Cove / P.O. Box 1088
 Travelers Rest, SC 29690

Model No.
B-1146-01A

Item No.

Travelers Rest, SC: 800-476-4103 • Simi Valley, CA: 800-423-0150 • Fax: 864-834-3518 • www.tsbrass.com

ITEM NO.	SALES NO.	DESCRIPTION
1	008978-40	Swivel Gooseneck Assembly
2	B-0199-01	2.2 GPM Aerator, Female
3	009538-45	Swivel Washer
4	011429-45	Swivel Sleeves (2)
5	001074-45	O-Ring
6	009754-25	B-1100 Spindle Assembly, LTC
7	001017-45	Washer
8	001661-45	Red Index-HW
9	000922-45	Lever Handle Screw
10	001660-45	Blue Index-CW
11	001638-45	Lever Handle
12	009749-25	Bonnet Nut
13	009753-25	B-1100 Spindle Assembly, RTC
14	000712-25	Escutcheon Lock Nut
15	000763-20	Seat
16	001258-40	Escutcheon
17	000999-45	Brass Lock Washer
18	002954-45	Shank Lock Nut
19	150A	1/4" NPT Tailpiece & Nut
20	000082-40	B-1100 Knob



Product Specifications:
 4" Wall Mount Workboard Faucet w/ Lever Handles, Swivel Gooseneck,
 2.2 GPM Aerator & 1/2" NPT Male Shanks

Drawn KJG	Checked JRM	Approved JHB
Scale: NTS		Date: 07/20/12