



T&S BRASS AND BRONZE WORKS, INC.

2 Saddleback Cove / P.O. Box 1088
Travelers Rest, SC 29690



REG. #A2601
ISO #9001

Model No.

B-1149

Item No.

Travelers Rest, SC: 800-476-4103 Simi Valley, CA: 800-423-0150 Fax: 864-834-3518 www.tsbrass.com

This Space for Architect/Engineer Approval

Job Name _____ Date _____

Model Specified _____ Quantity _____

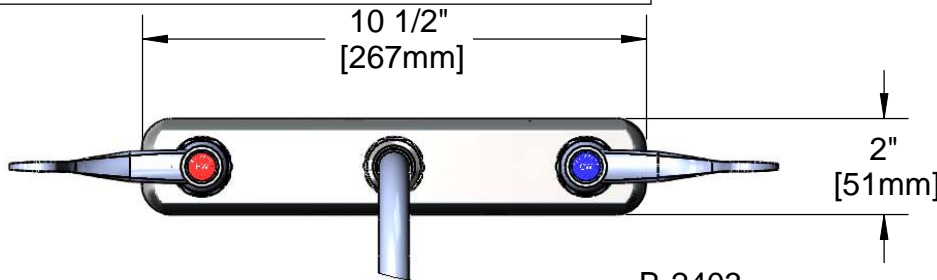
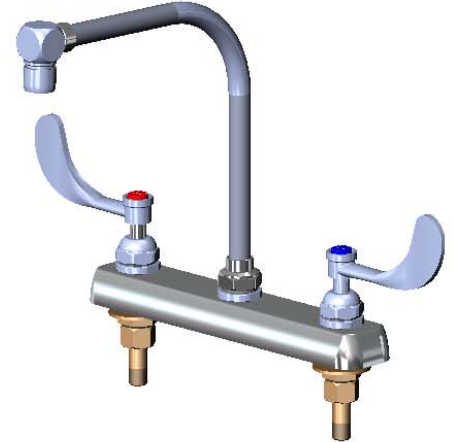
Customer/Wholesaler _____

Contractor _____

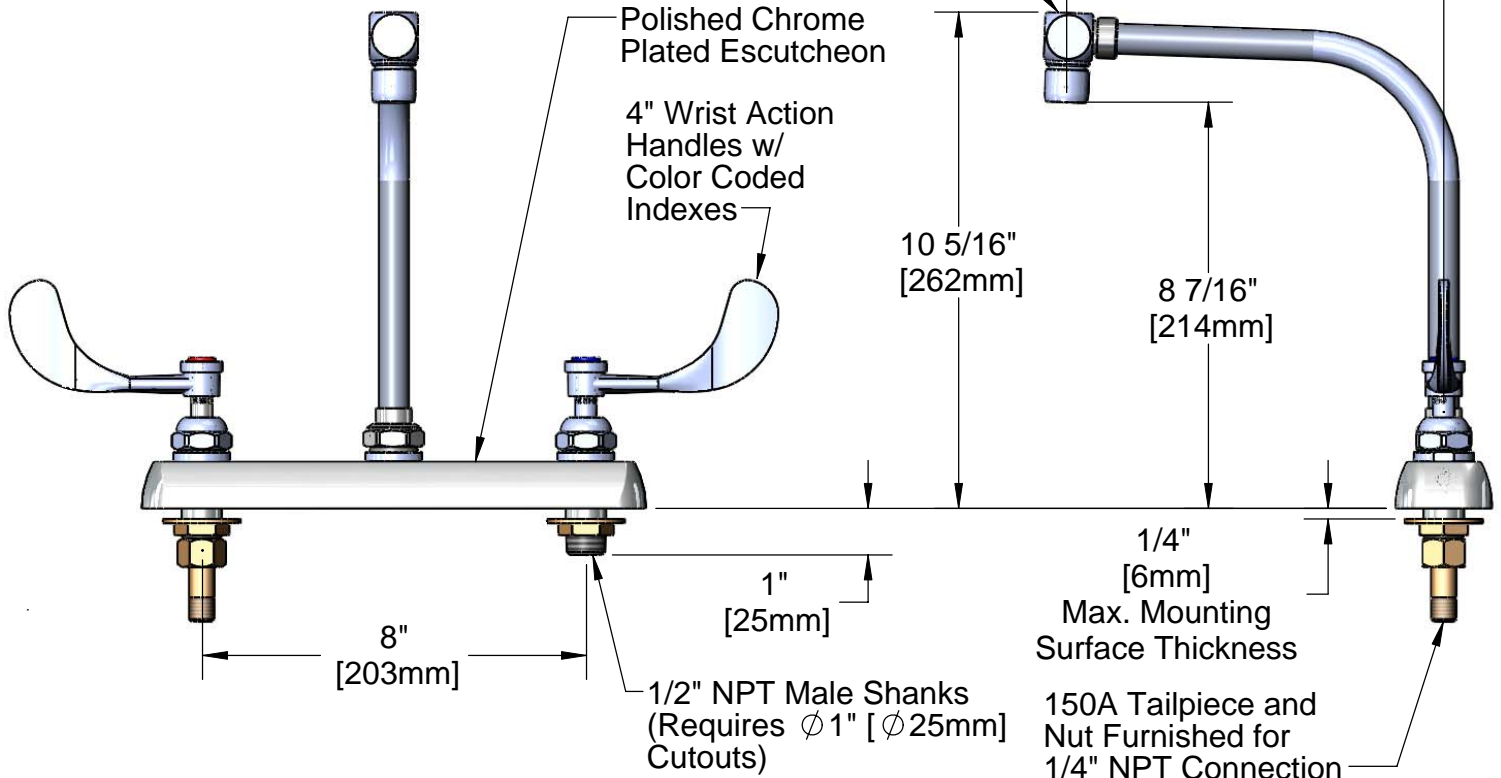
Architect/Engineer _____



ADA Compliant



B-2403
High Rise Swing Spout
w/ B-0199-01 Aerator
2.2 GPM



Product Specifications:

8" Inlet Centers Workboard Faucet w/ 4" Wrist Action Handles, B-2403 High Rise Swing Spout Assembly w/ B-0199-01 Aerator 2.2 GPM & 1/2" NPT Male Shanks

Drawn DMH	Checked JRM	Approved JHB
Scale: 1:4		Date: 12/11/09



T&S BRASS AND BRONZE WORKS, INC.

2 Saddleback Cove / P.O. Box 1088
Travelers Rest, SC 29690



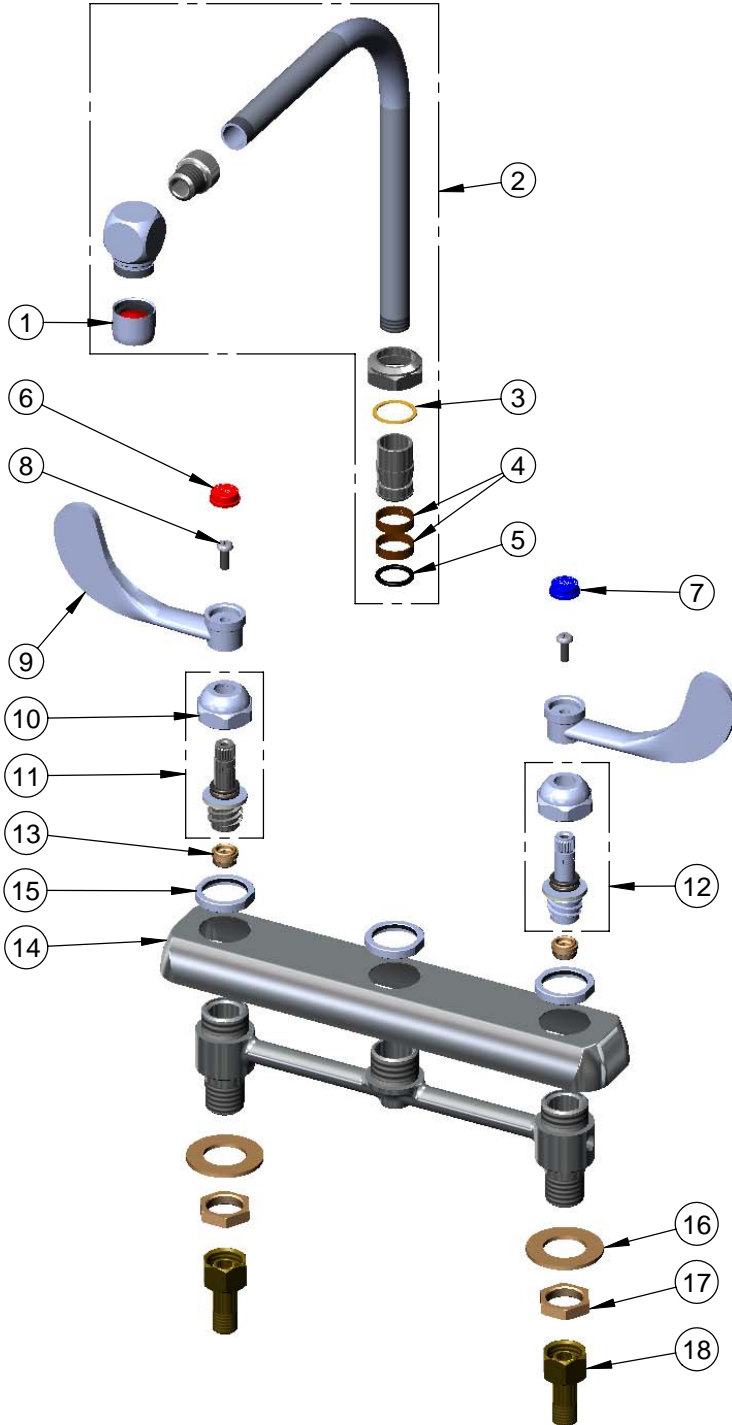
REG. #A2601
ISO #9001

Model No.

B-1149

Item No.

Travelers Rest, SC: 800-476-4103 Simi Valley, CA: 800-423-0150 Fax: 864-834-3518 www.tsbrass.com



ITEM NO.	SALES NO.	DESCRIPTION
1	B-0199-01	2.2 GPM Aerator, Female
2	B-2403	High Rise Swing Spout Assembly
3	009538-45	Swivel Washer
4	011429-45	Swivel Sleeve (2)
5	001074-45	O-Ring
6	001194-45	Red HW Index
7	001686-45	Blue CW Index
8	000925-45	Lab Handle Screw
9	B-WH4	4" Wrist Action Handle
10	009749-25	Bonnet Nut
11	009423-40	Spindle Asm, RTC (Hot)
12	009424-40	Spindle Asm, LTC (Cold)
13	000763-20	Seat
14	001259-40	Escutcheon
15	000712-25	Escutcheon Lock Nut
16	000999-45	Brass Lock Washer
17	002954-45	Shank Lock Nut
18	150A	Bag of (1) Nut & (1) Tailpiece

Product Specifications:

8" Inlet Centers Workboard Faucet w/ 4" Wrist Action Handles, B-2403 High Rise Swing Spout Assembly w/ B-0199-01 Aerator 2.2 GPM & 1/2" NPT Male Shanks

Drawn DMH	Checked JRM	Approved JHB
Scale: 1:4		Date: 12/11/09