



T&S BRASS AND BRONZE WORKS, INC.

2 Saddleback Cove / P.O. Box 1088
Travelers Rest, SC 29690

Model No.

B-1174

Item No.

Travelers Rest, SC: 800-476-4103 Simi Valley, CA: 800-423-0150 Fax: 864-834-3518 www.tsbrass.com

This Space for Architect/Engineer Approval

Job Name _____ Date _____

Model Specified _____ Quantity _____

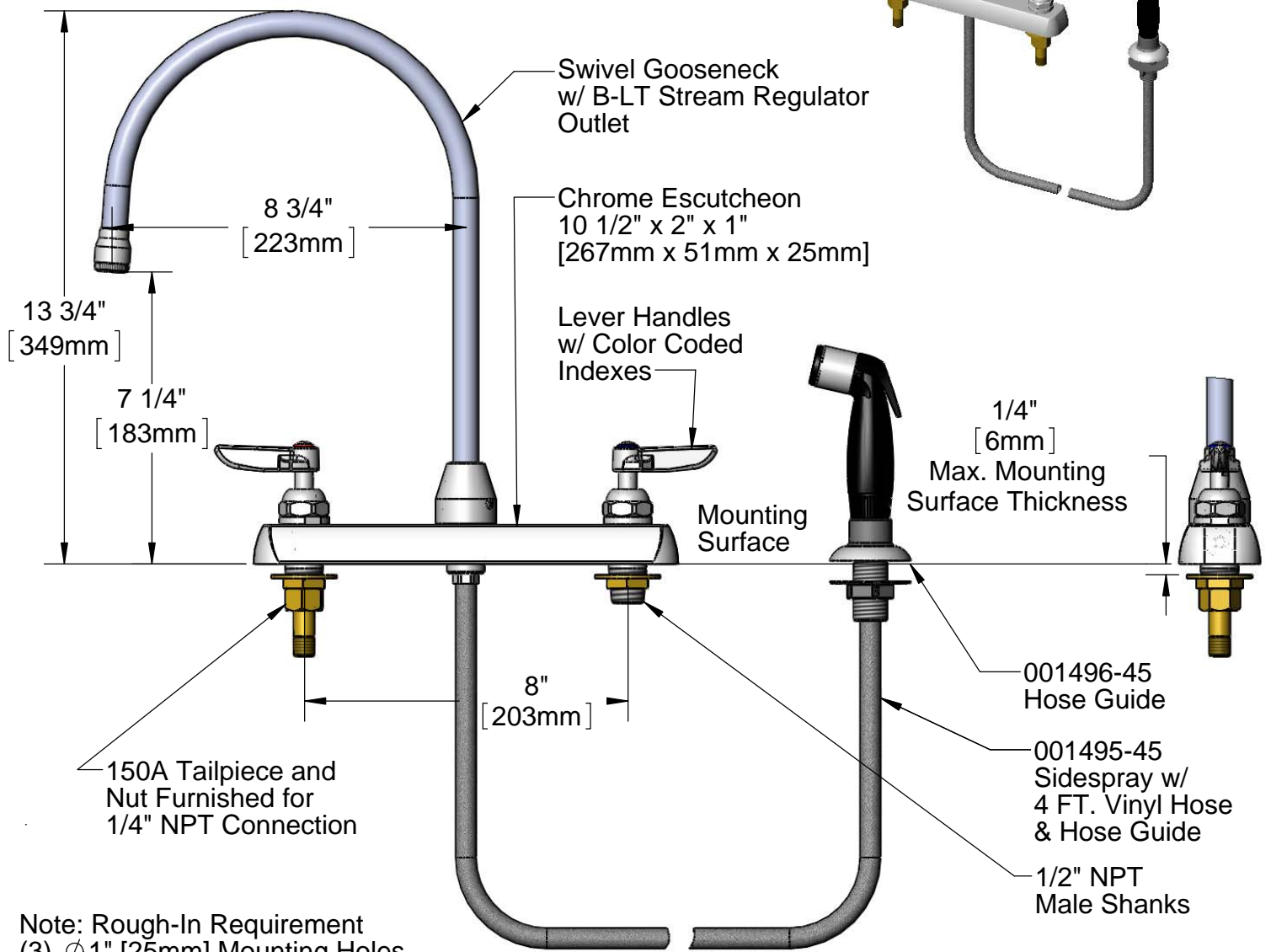
Customer/Wholesaler _____

Contractor _____

Architect/Engineer _____



ADA Compliant



Note: Rough-In Requirement
(3) ϕ 1" [25mm] Mounting Holes

Product Specifications:
8" c/c Workboard Faucet w/ Lever Handles, Swivel Gooseneck w/ B-PT Stream Regulator Outlet & 4 Ft Sidespray

| | | |
|----------------------|-----------------------|--------------------------|
| Drawn KJG | Checked DHL | Approved JHB |
| Scale: 1:4 | | Date: 02/20/12 |



T&S BRASS AND BRONZE WORKS, INC.

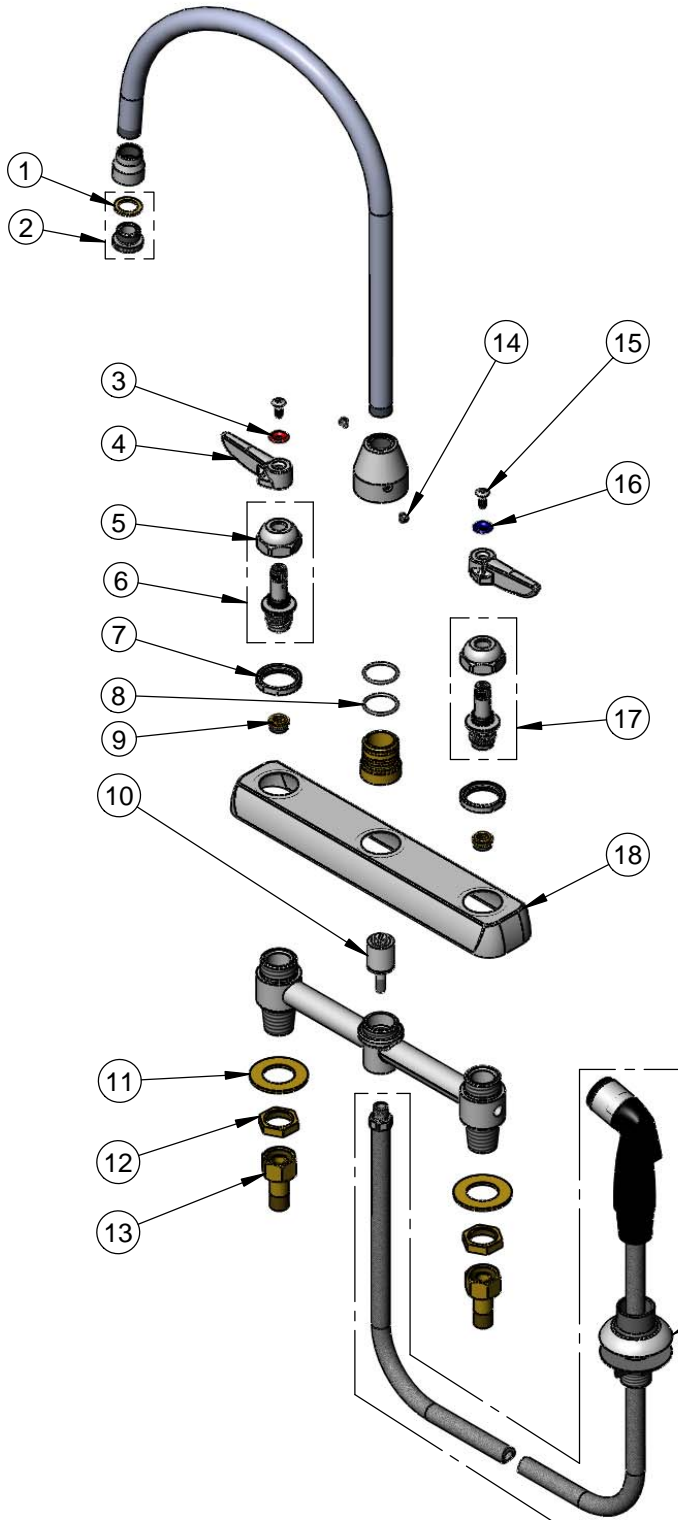
2 Saddleback Cove / P.O. Box 1088
Travelers Rest, SC 29690

Model No.

B-1174

Item No.

Travelers Rest, SC: 800-476-4103 Simi Valley, CA: 800-423-0150 Fax: 864-834-3518 www.tsbrass.com



| ITEM NO. | SALES NO. | DESCRIPTION |
|----------|-----------|--------------------------------|
| 1 | 001043-45 | Washer |
| 2 | B-LT | Stream Regulator Outlet |
| 3 | 001661-45 | Red Index-HW |
| 4 | 001638-45 | Lever Handle |
| 5 | 009749-25 | Bonnet Nut |
| 6 | 009753-25 | B-1100 RH Spindle Assembly |
| 7 | 000712-25 | Escutcheon Lock Nut |
| 8 | 001069-45 | O-ring - 020 |
| 9 | 000763-20 | Seat |
| 10 | 002338-45 | Valve Diverter Piston |
| 11 | 000999-45 | Brass Lock Washer |
| 12 | 002954-45 | Shank Lock Nut |
| 13 | 150A | Bag of (1) Nut & (1) Tailpiece |
| 14 | 001486-45 | Diverter Cover Screw |
| 15 | 000922-45 | Lever Handle Screw |
| 16 | 001660-45 | Blue Index-CW |
| 17 | 009754-25 | B-1100 LH Spindle Assembly |
| 18 | 001259-40 | Escutcheon |
| 19 | 001495-45 | Sidespray w/ Hose Guide |
| 20 | 001496-45 | Hose Guide |

Product Specifications:

8" c/c Workboard Faucet w/ Lever Handles, Swivel Gooseneck w/ B-PT Stream Regulator Outlet & 4 Ft Sidespray

| | | |
|----------------------|-----------------------|--------------------------|
| Drawn KJG | Checked DHL | Approved JHB |
| Scale: 1:4 | | Date: 02/20/12 |