



T&S BRASS AND BRONZE WORKS, INC.

2 Saddleback Cove / P.O. Box 1088
Travelers Rest, SC 29690

Model No.

B-1175

Item No.

Travelers Rest, SC: 800-476-4103 Simi Valley, CA: 800-423-0150 Fax: 864-834-3518 www.tsbrass.com

This Space for Architect/Engineer Approval

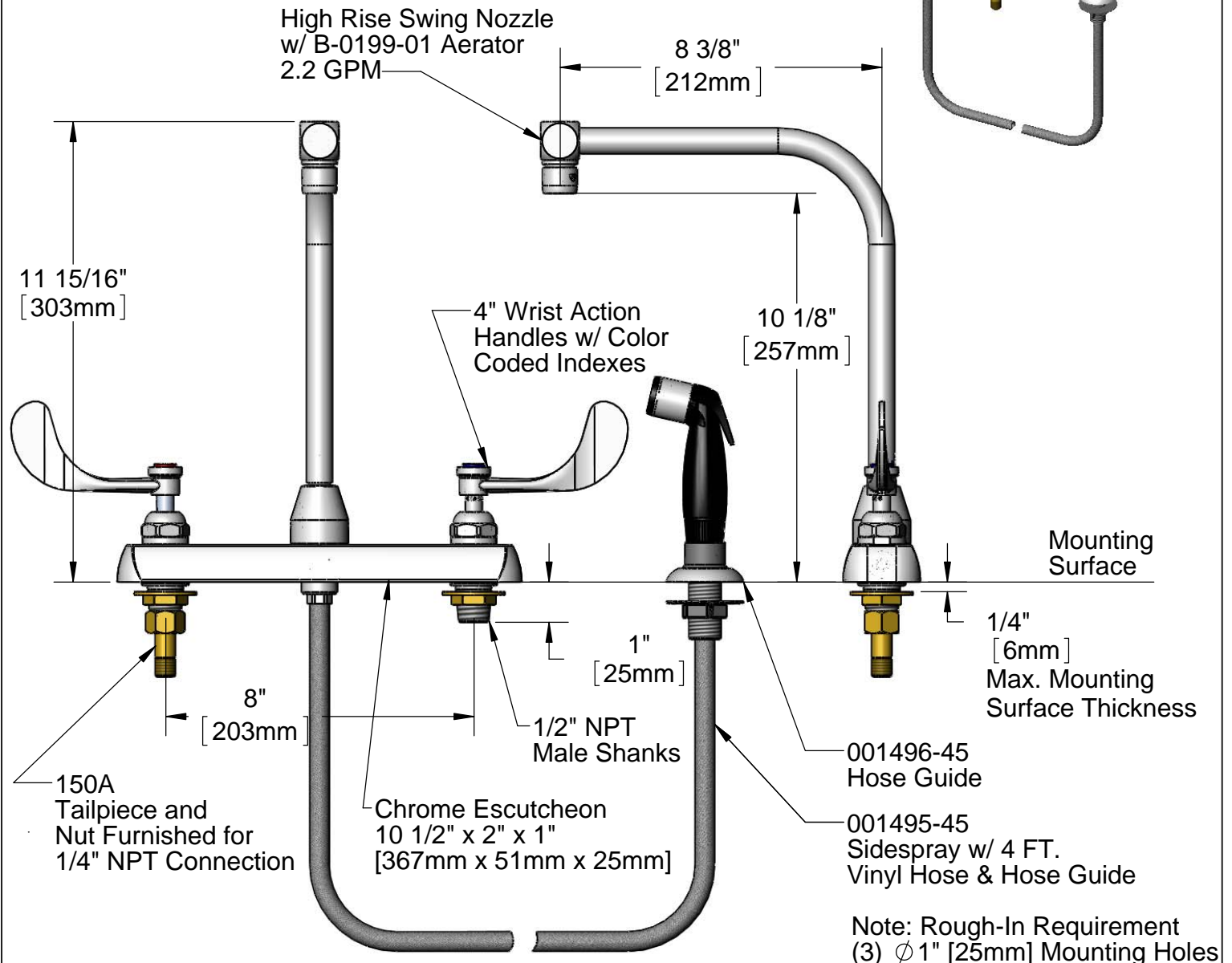
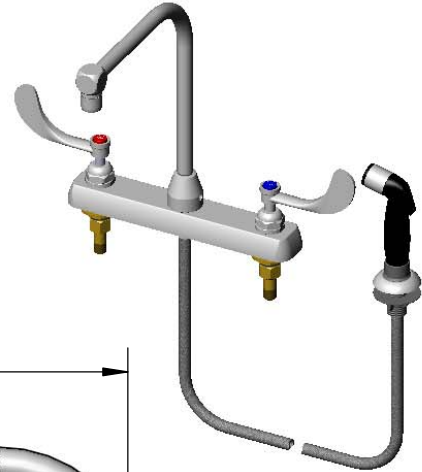
Job Name _____ Date _____

Model Specified _____ Quantity _____

Customer/Wholesaler _____

Contractor _____

Architect/Engineer _____



Product Specifications:

8" Inlet Centers Workboard Faucet w/ 4" Wrist Action Handles, High Rise Swing Nozzle w/ 2.2 GPM Aerator, 1/2" NPT Male Shanks & 4 Ft. Sidespray

Drawn KJG	Checked DHL	Approved JHB
Scale: 1:4		Date: 02/20/12



T&S BRASS AND BRONZE WORKS, INC.

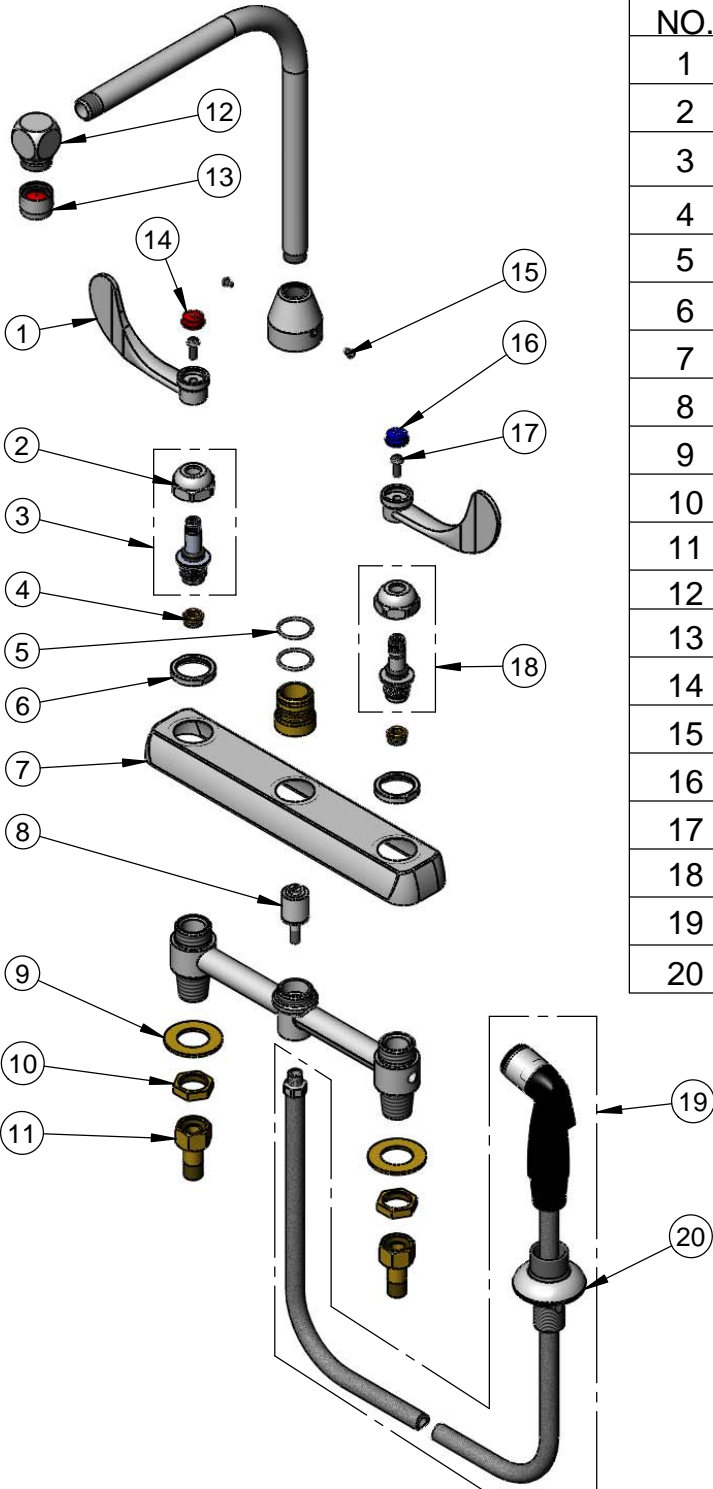
2 Saddleback Cove / P.O. Box 1088
Travelers Rest, SC 29690

Model No.

B-1175

Item No.

Travelers Rest, SC: 800-476-4103 Simi Valley, CA: 800-423-0150 Fax: 864-834-3518 www.tsbrass.com



ITEM NO.	SALES NO.	DESCRIPTION
1	B-WH4	4" Wrist Action Handle
2	009749-25	Bonnet Nut
3	009423-40	Spindle Asm, RTC, Hot
4	000763-20	Seat
5	001069-45	O-ring - 020
6	000712-25	Escutcheon Lock Nut
7	001259-40	Escutcheon
8	002338-45	Valve Diverter Piston
9	000999-45	Brass Lock Washer
10	002954-45	Shank Lock Nut
11	150A	Bag of (1) Nut & (1) Tailpiece
12	002823-40	Cube
13	B-0199-01	2.2 GPM Aerator, Female
14	001194-45	Red HW Index
15	001486-45	Diverter Cover Screw
16	001686-45	Blue CW Index
17	000925-45	Lab Handle Screw
18	009424-40	Spindle Asm, LTC, Cold
19	001495-45	Sidespray w/ Hose Guide
20	001496-45	Hose Guide

Product Specifications:

8" Inlet Centers Workboard Faucet w/ 4" Wrist Action Handles,
High Rise Swing Nozzle w/ 2.2 GPM Aerator, 1/2" NPT
Male Shanks & 4 Ft. Sidespray

Drawn KJG	Checked DHL	Approved JHB
Scale: 1:4		Date: 02/20/12