



**T&S BRASS AND BRONZE WORKS, INC.**  
 2 Saddleback Cove / P.O. Box 1088  
 Travelers Rest, SC 29690

Model No.  
**B-1177**

Item No.

Travelers Rest, SC: 800-476-4103 • Simi Valley, CA: 800-423-0150 • Fax: 864-834-3518 • www.tsbrass.com

This Space for Architect/Engineer Approval

Job Name \_\_\_\_\_ Date \_\_\_\_\_

Model Specified \_\_\_\_\_ Quantity \_\_\_\_\_

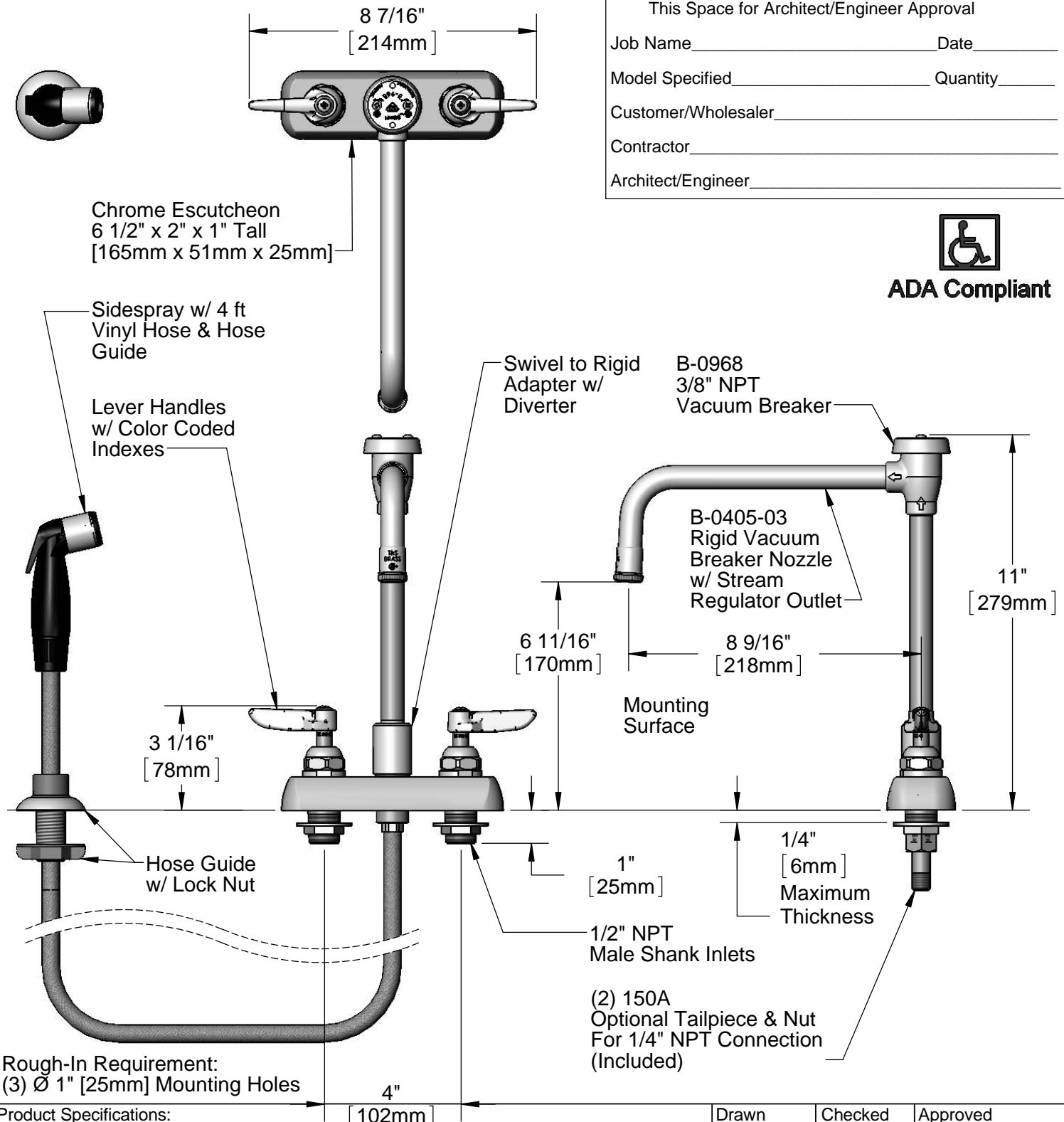
Customer/Wholesaler \_\_\_\_\_

Contractor \_\_\_\_\_

Architect/Engineer \_\_\_\_\_



**ADA Compliant**



Product Specifications:  
 4" Deck Mount Workboard Faucet w/ Lever Handles, Rigid Vacuum Breaker Nozzle, w/ Stream Regulator, 4 ft Sidespray w/ Vinyl Hose & Hose Guide & 1/2" NPT Male Shank Inlets

Drawn <b>KJG</b>	Checked <b>DMH</b>	Approved <b>JHB</b>
Scale: <b>1:4</b>		Date: <b>03/28/13</b>



# T&S BRASS AND BRONZE WORKS, INC.

2 Saddleback Cove / P.O. Box 1088  
Travelers Rest, SC 29690

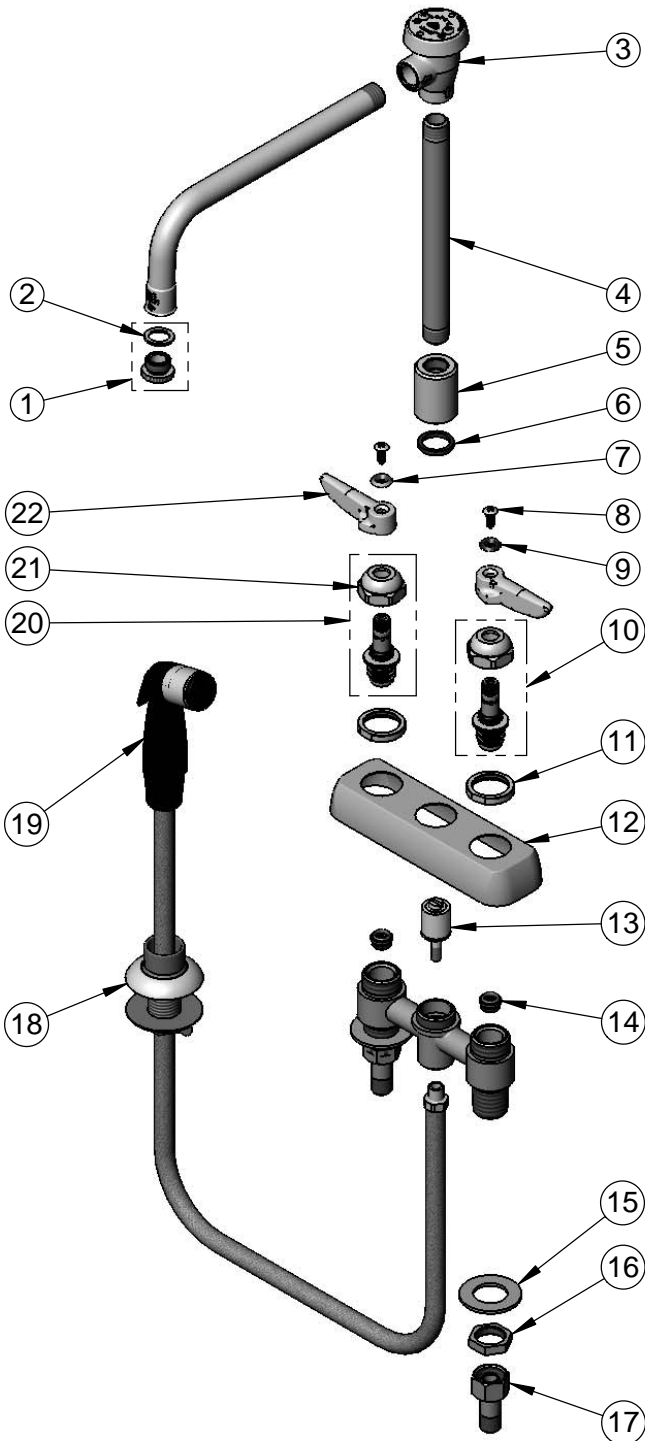
Model No.

**B-1177**

Item No.

Travelers Rest, SC: 800-476-4103 • Simi Valley, CA: 800-423-0150 • Fax: 864-834-3518 • www.tsbrass.com

ITEM NO.	SALES NO.	DESCRIPTION
1	B-LT	Stream Regulator Outlet
2	001043-45	Washer
3	B-0968	3/8" NPT Vacuum Breaker
4	000363-40	Nipple, 3/8" NPT x 7"
5	1171-X	Swivel to Rigid Adapter
6	001040-45	Washer
7	001661-45	Red Index-HW
8	000922-45	Lever Handle Screw
9	001660-45	Blue Index-CW
10	009754-25	B-1100 Spindle Assembly, LTC
11	000712-25	Escutcheon Lock Nut
12	001258-40	Escutcheon
13	002338-45	Valve Diverter Piston
14	000763-20	Seat
15	000999-45	Brass Lock Washer
16	002954-45	Shank Lock Nut
17	150A	1/4" NPT Tailpiece & Nut
18	001496-45	Hose Guide
19	001495-45	Sidespray w/ 4 ft Vinyl Hose & Hose Guide
20	009753-25	B-1100 Spindle Assembly, RTC
21	009749-25	Bonnet Nut
22	001638-45	Lever Handle



**Product Specifications:**

4" Deck Mount Workboard Faucet w/ Lever Handles, Rigid Vacuum Breaker Nozzle, w/ Stream Regulator, 4 ft Sidespray w/ Vinyl Hose & Hose Guide & 1/2" NPT Male Shank Inlets

Drawn

**KJG**

Checked

**DMH**

Approved

**JHB**

Scale:

**NTS**

Date:

**03/28/13**