



T&S BRASS AND BRONZE WORKS, INC.
 2 Saddleback Cove / P.O. Box 1088
 Travelers Rest, SC 29690

Model No.
B-1205

Item No.

Travelers Rest, SC: 800-476-4103 • Simi Valley, CA: 800-423-0150 • Fax: 864-834-3518 • www.tsbrass.com

This Space for Architect/Engineer Approval

Job Name _____ Date _____

Model Specified _____ Quantity _____

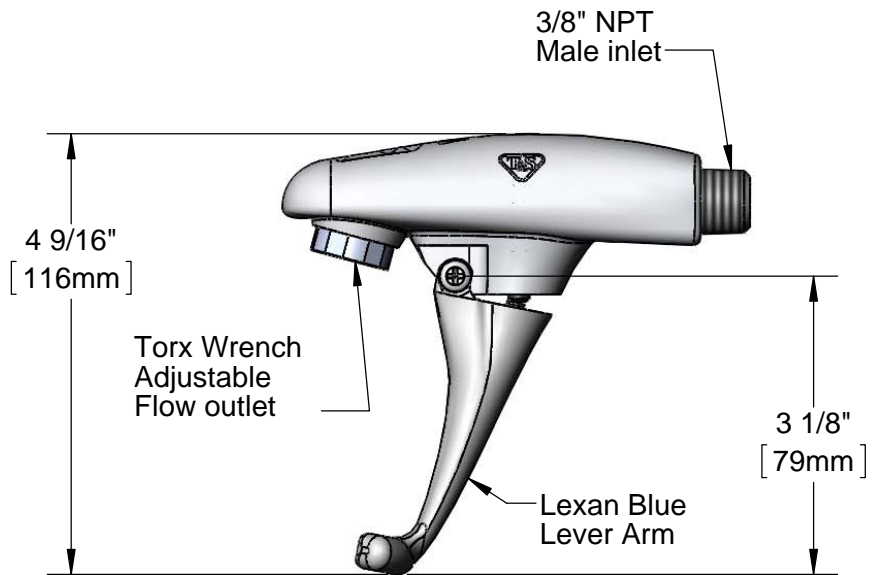
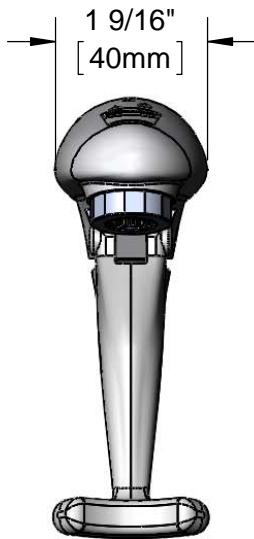
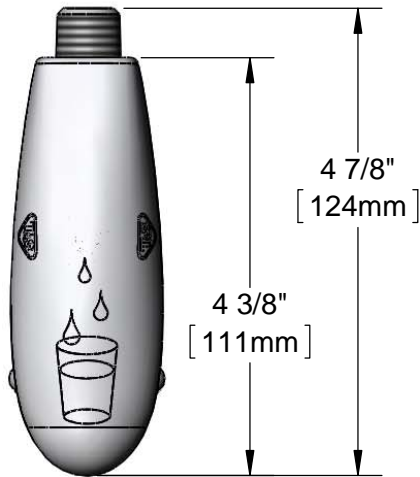
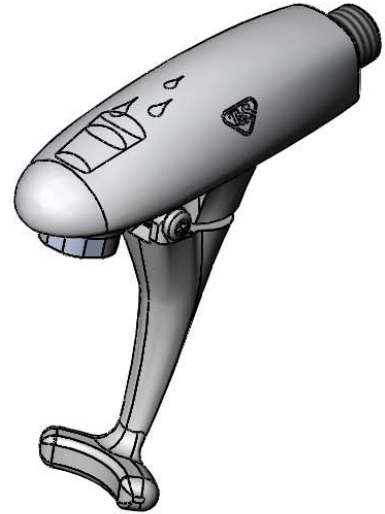
Customer/Wholesaler _____

Contractor _____

Architect/Engineer _____



ADA Compliant



Product Specifications:
 Wall Mount Glass Filler, Push Back Design,
 3/8" NPT Male Inlet, Less Flange,
 Blue Self-Closing Lexan Arm

Drawn KJG	Checked DHL	Approved JHB
Scale: 1:1	Date: 05/30/12	



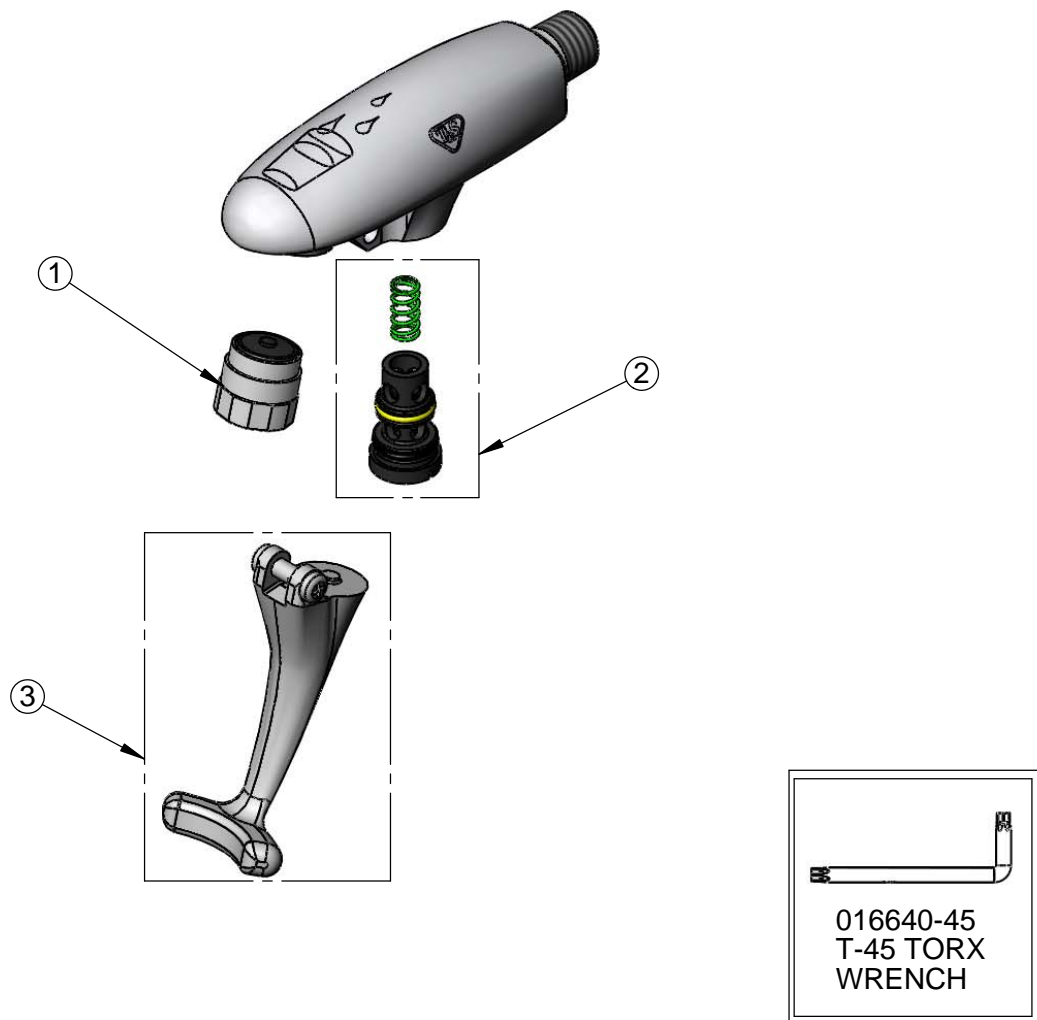
T&S BRASS AND BRONZE WORKS, INC.
 2 Saddleback Cove / P.O. Box 1088
 Travelers Rest, SC 29690

Model No.
B-1205

Item No.

Travelers Rest, SC: 800-476-4103 • Simi Valley, CA: 800-423-0150 • Fax: 864-834-3518 • www.tsbrass.com

ITEM NO.	SALES NO.	DESCRIPTION
1	015588-40	Adjustable Outlet w/Torx Wrench
2	015589-40	Valve Assembly
3	015550-45	Lever Arm Repair Kit



Product Specifications:
 Wall Mount Glass Filler, Push Back Design,
 3/8" NPT Male Inlet, Less Flange,
 Blue Self-Closing Lexan Arm

Drawn KJG	Checked DHL	Approved JHB
Scale: NTS		Date: 05/30/12