



**T&S BRASS AND BRONZE WORKS, INC.**  
 2 Saddleback Cove / P.O. Box 1088  
 Travelers Rest, SC 29690

Model No.  
**B-1210-WFK**

Item No.

Travelers Rest, SC: 800-476-4103 • Simi Valley, CA: 800-423-0150 • Fax: 864-834-3518 • www.tsbrass.com



**ADA Compliant**

This Space for Architect/Engineer Approval

Job Name \_\_\_\_\_ Date \_\_\_\_\_

Model Specified \_\_\_\_\_ Quantity \_\_\_\_\_

Customer/Wholesaler \_\_\_\_\_

Contractor \_\_\_\_\_

Architect/Engineer \_\_\_\_\_



Adjustable Flow Outlet  
 w/ Torx Wrench

Dark Blue Lever Arm

Ø2" [51mm]  
 Adjustable Flange

3/8" NPT Street Elbow

3/8" Compression x 1/2" NPSM x  
 18" [457mm] Long Connector Hose

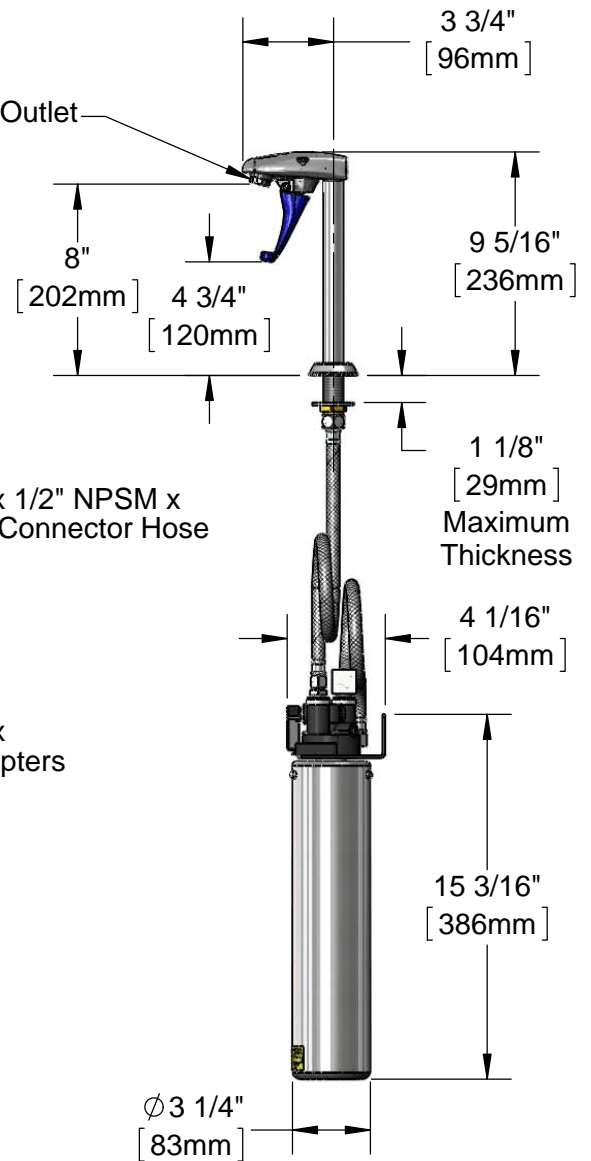
3/8" Compression x  
 3/8" NPT Male Adapters

3/8" Compression x  
 20" [508mm] Long  
 Inlet Hose

Docking Station w/  
 Shut-off Lever

Allow for 2 1/2" [64mm]  
 Clearance Below for  
 Cartridge Removal

Replaceable  
 Filter Cartridge



Rough-In Requirement:  
 Ø1" [25mm] Mounting Hole

Product Specifications:  
 8" Pedestal Type Glass Filler w/ Water Filtration Kit

Drawn <b>DMH</b>	Checked <b>JRM</b>	Approved <b>JHB</b>
Scale: <b>1:8</b>		Date: <b>01/16/14</b>

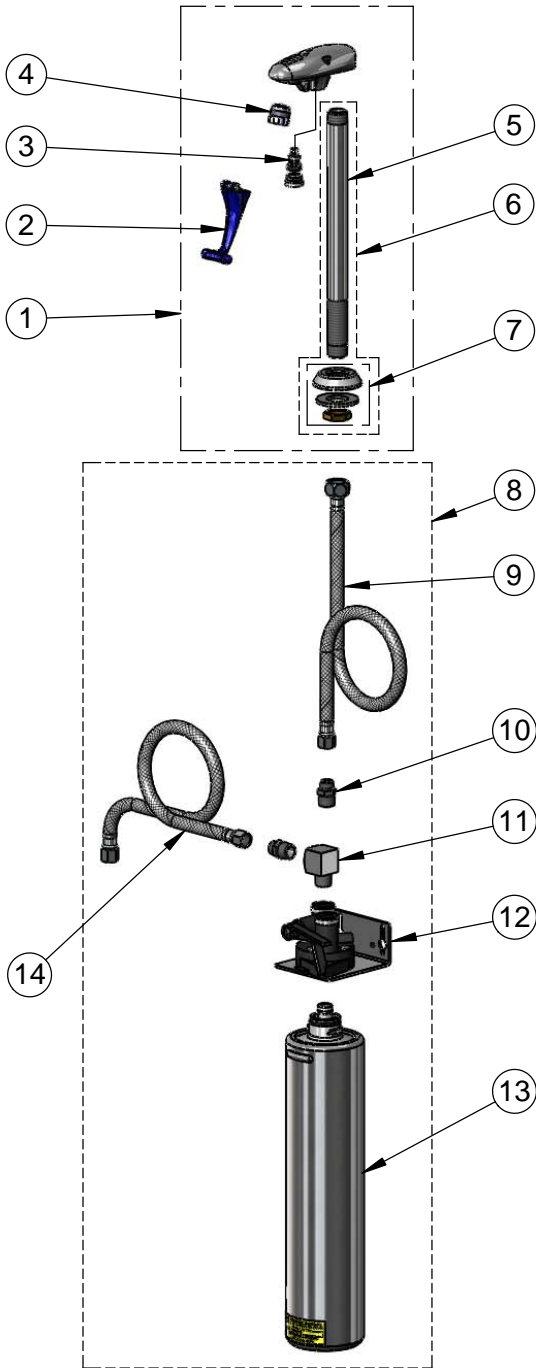


**T&S BRASS AND BRONZE WORKS, INC.**  
 2 Saddleback Cove / P.O. Box 1088  
 Travelers Rest, SC 29690

Model No.  
**B-1210-WFK**

Item No.

Travelers Rest, SC: 800-476-4103 • Simi Valley, CA: 800-423-0150 • Fax: 864-834-3518 • www.tsbrass.com



ITEM NO.	SALES NO.	DESCRIPTION
1	B-1210	8" Pedestal Type Glass Filler
2	015550-45	Lever Arm Repair Kit
3	015589-40	Valve Assembly
4	015588-40	Adjustable Outlet w/ Torx Wrench
5	015886-40	B-1210 Glass Filler Pedestal
6	015887-40	Pedestal Assembly
7	016783-40	Adjustable Deck Flange Repair Kit
8	B-WKF	Water Filtration Kit
9	5EF-0005	Supply Hose, 9/16-24 Female x 1/2" NPSM
10	006101-45	Adapter, 3/8" NPT x 9/16"-24 UN Male
11	148X	3/8 Street Elbow
12	B-WFDS	Water Filtration Docking Station
13	B-WFC	Filter Cartridge
14	013146-45	Supply Hose, 9/16-24 Fem (3/8" Comp)



016640-45  
 T-45 Torx Wrench  
 for Adjustable Outlet

Product Specifications:  
 8" Pedestal Type Glass Filler w/ Water Filtration Kit

Drawn <b>DMH</b>	Checked <b>JRM</b>	Approved <b>JHB</b>
Scale: <b>NTS</b>		Date: <b>01/16/14</b>