

T&S BRASS AND BRONZE WORKS, INC.

2 Saddleback Cove / P.O. Box 1088
Travelers Rest, SC 29690

Model No.

B-1215-12

Item No.

Travelers Rest, SC: 800-476-4103 • Simi Valley, CA: 800-423-0150 • Fax: 864-834-3518 • www.tsbrass.com

This Space for Architect/Engineer Approval

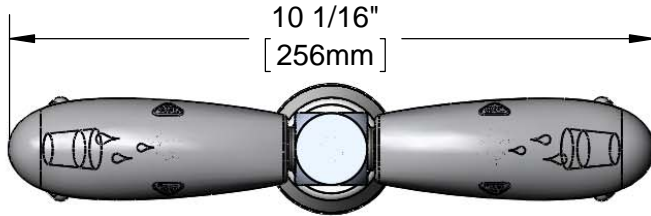
Job Name _____ Date _____

Model Specified _____ Quantity _____

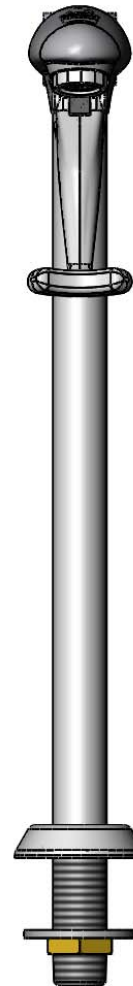
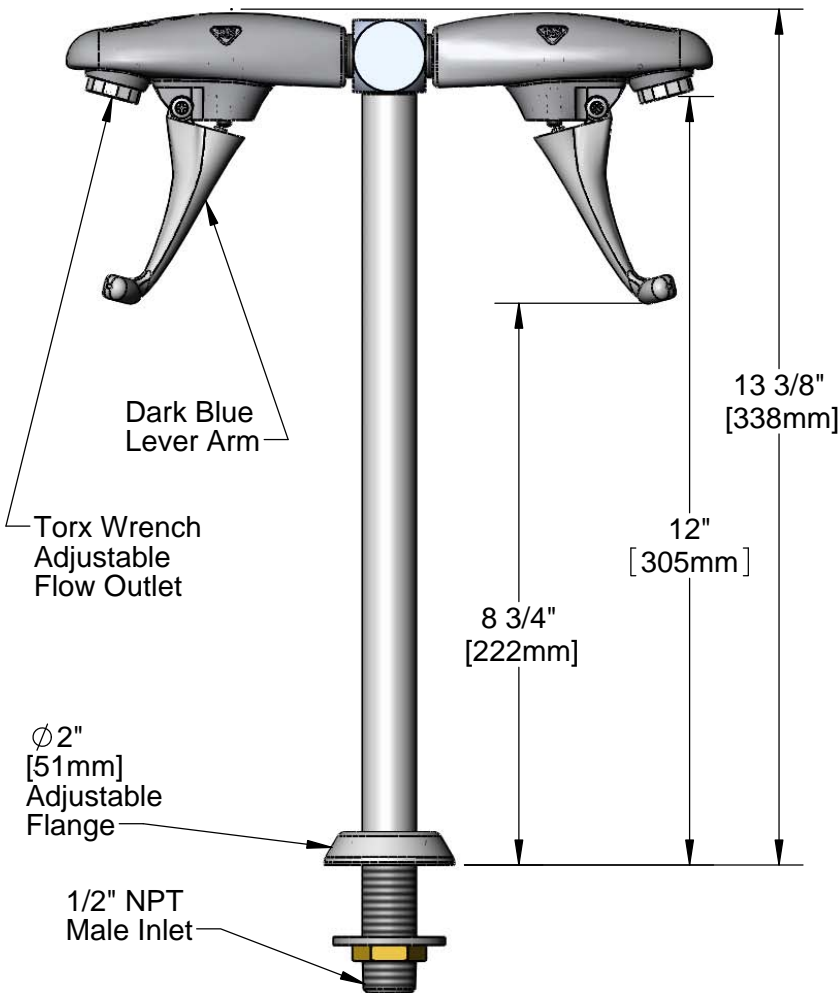
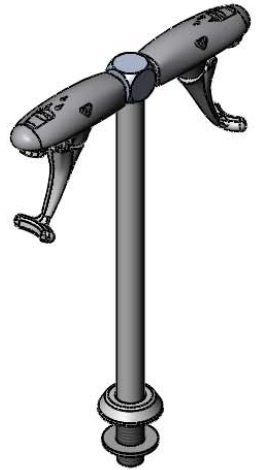
Customer/Wholesaler _____

Contractor _____

Architect/Engineer _____



ADA Compliant



1 1/8" [29mm]
Maximum Thickness

Rough-In Requirement:
Ø 1" [25mm] Mounting Hole

Product Specifications:
12" Pedestal Type Double Glass Filler, Push Back Design,
1/2" NPT Male Shank, Adjustable Flange,
& Dark Blue Self-Closing Arm

Drawn JRM	Checked DMH	Approved JHB
Scale: 1:3		Date: 01/24/13



T&S BRASS AND BRONZE WORKS, INC.

2 Saddleback Cove / P.O. Box 1088
Travelers Rest, SC 29690

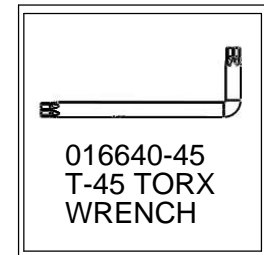
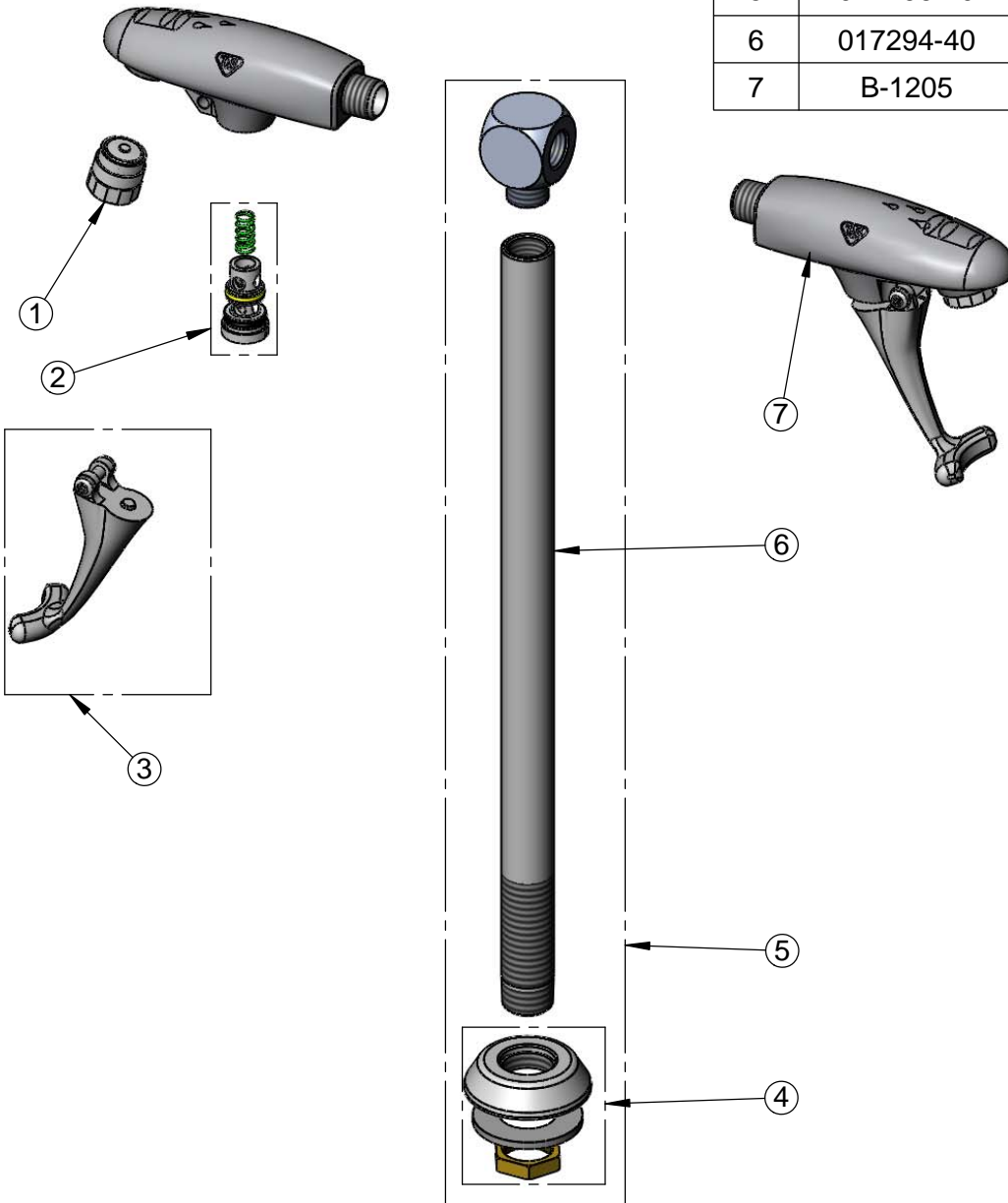
Model No.

B-1215-12

Item No.

Travelers Rest, SC: 800-476-4103 • Simi Valley, CA: 800-423-0150 • Fax: 864-834-3518 • www.tsbrass.com

ITEM NO.	SALES NO.	DESCRIPTION
1	015588-40	Adjustable Outlet w/ Torx Wrench
2	015589-40	Valve Assembly
3	015550-45	Lever Arm Repair Kit
4	016783-40	Adjustable Deck Flange Repair Kit
5	017296-40	Pedestal Assembly
6	017294-40	B-1215-12 Pedestal
7	B-1205	Wall Mount Glass Filler



Product Specifications:
12" Pedestal Type Double Glass Filler, Push Back Design,
1/2" NPT Male Shank, Adjustable Flange,
& Dark Blue Self-Closing Arm

Drawn JRM	Checked DMH	Approved JHB
Scale: NTS		Date: 01/24/13