



T&S BRASS AND BRONZE WORKS, INC.
 2 SADDLEBACK COVE / P.O. BOX 1088 / TRAVELERS REST, SC 29690
 PHONE 800-476-4103 FAX 864-834-3518



Model No.

B-1421

Item No.:

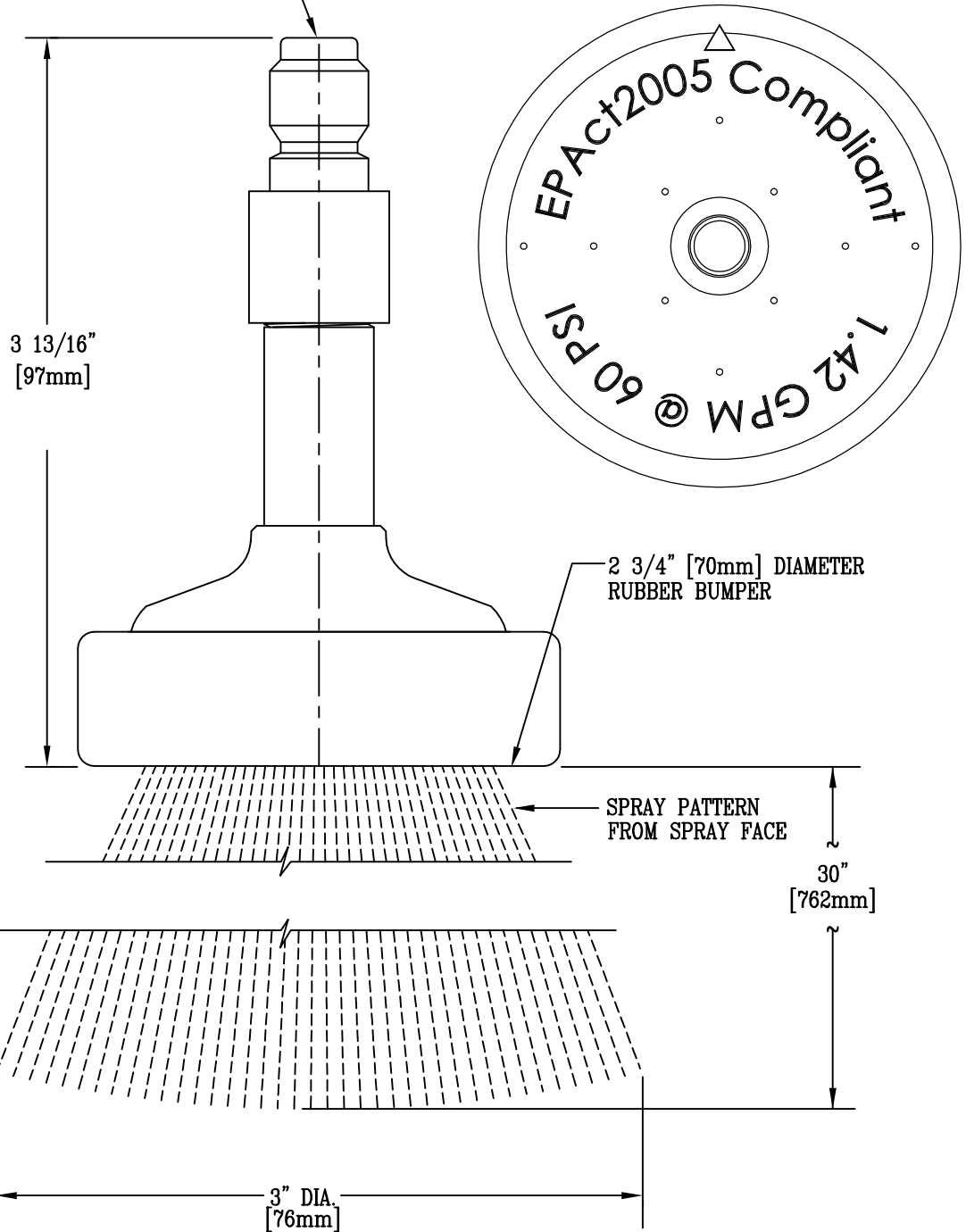
Job Name:

Architect/Engineer Approval:

Notes:

INSERT INTO QUICK CONNECT
 SOCKET OF SQUEEZE VALVE.

EPAct2005 COMPLIANT



Product Description:

SPRAY FACE QUICK-CONNECT FOR USE
 WITH SQUEEZE VALVE ASSEMBLIES

Drawn:

RJK

Approved

JHB

Checked

JRM

Scale:

1' = 1'

Date:

01-04-06