



T&S BRASS AND BRONZE WORKS, INC.

2 Saddleback Cove / P.O. Box 1088
Travelers Rest, SC 29690



REG. #A2601
ISO #9001

Model No.

B-1430

Item No.

Travelers Rest, SC: 800-476-4103 Simi Valley, CA: 800-423-0150 Fax: 864-834-3518 www.tsbrass.com

This Space for Architect/Engineer Approval

Job Name _____ Date _____
 Model Specified _____ Quantity _____
 Customer/Wholesaler _____
 Contractor _____
 Architect/Engineer _____

EPAct2005 Non-Compliant

B-0963 Continuous Pressure Type Vacuum Breaker w/ Integral Check Valve

HW-4B-36 3/8" NPT x 36" Flexible Water Connector To Hose Reel

B-0109-07 Bracket

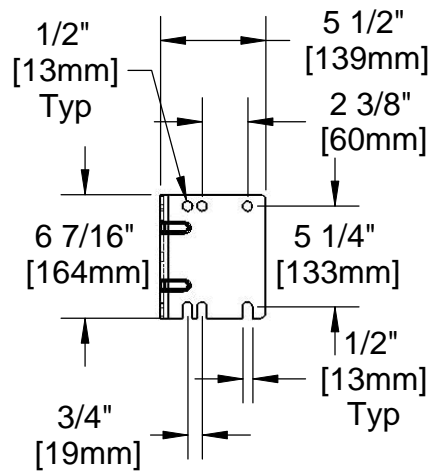
3/8" NPT x 40" Riser

0RK3 Control Valve B-0462
3/8" Angled Slip Flange

3/8" NPT x 26" Riser

B-0513 Mixing Faucet 3" c/c Mounting Required
Lever Handles w/ Color-Coded Indexes

B-7222-C01 Enclosed Hose Reel w/ 30 Ft. Hose



EB-0107 Blue Spray Valve

B-CVH1-2 1/2 NPT Female Check Valves(2)

Dish Table Furnished By Others

45 9/16" [1157mm]

27 3/8" [695mm]

Product Specifications:

Enclosed Hose Reel w/ 30 Ft Hose, Blue Spray Valve, Vacuum Breaker, 3/8" NPT Flex Water Connector Asm, 3" c/c Wall Mounted Faucet, & Control Valve In Riser

Drawn
JRM

Checked
DMH

Approved
JHB

Scale:

NTS

Date:

4/19/10



T&S BRASS AND BRONZE WORKS, INC.

2 Saddleback Cove / P.O. Box 1088
Travelers Rest, SC 29690



REG. #A2601
ISO #9001

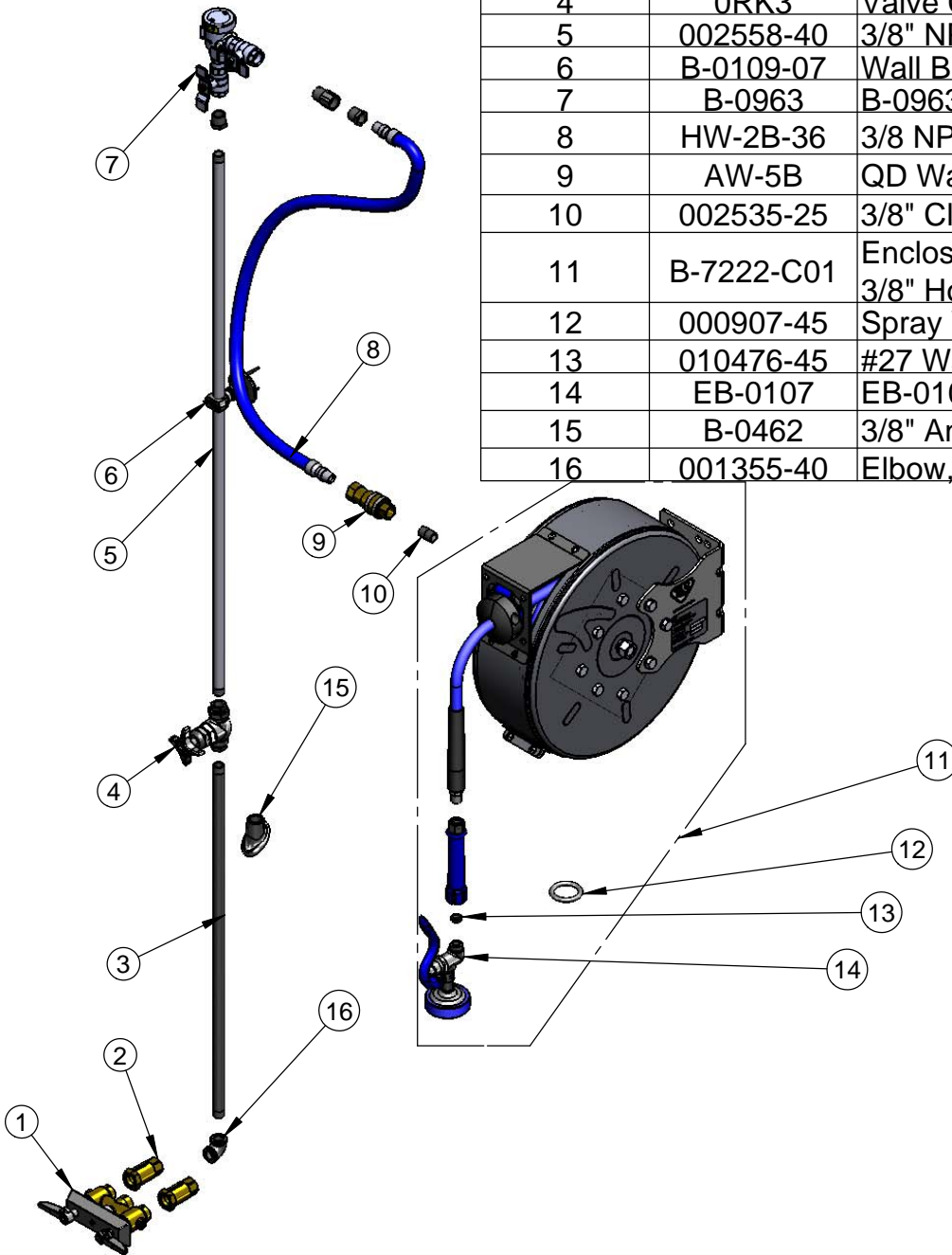
Model No.

B-1430

Item No.

Travelers Rest, SC: 800-476-4103 Simi Valley, CA: 800-423-0150 Fax: 864-834-3518 www.tsbrass.com

ITEM NO.	SALES NO.	DESCRIPTION
1	B-0513	B-0513 Mixing Faucet
2	B-CVH1-2	1/2" Check Valve
3	000373-40	3/8" x 26" Nipple
4	0RK3	Valve Control
5	002558-40	3/8" NPT x 40" Riser
6	B-0109-07	Wall Bracket
7	B-0963	B-0963 VB
8	HW-2B-36	3/8 NPT x 36" Flex Water Hose
9	AW-5B	QD Water Socket/Plug 3/8" Brass
10	002535-25	3/8" Close Nipple
11	B-7222-C01	Enclosed Coated Reel 30' OF 3/8" Hose
12	000907-45	Spray Valve Hold Down Ring
13	010476-45	#27 Washer
14	EB-0107	EB-0107 Spray Valve
15	B-0462	3/8" Angle Slip Flange
16	001355-40	Elbow, 3/8 NPT



Product Specifications:

Enclosed Hose Reel w/ 30 Ft Hose, Blue Spray Valve, Vacuum Breaker, 3/8" NPT Flex Water Connector Asm, 3" c/c Wall Mounted Faucet, & Control Valve In Riser

Drawn JRM	Checked DMH	Approved JHB
Scale: NTS		Date: 4/19/10