



T&S BRASS AND BRONZE WORKS, INC.

2 Saddleback Cove / P.O. Box 1088
Travelers Rest, SC 29690

Model No.

B-1433-02

Item No.

Travelers Rest, SC: 800-476-4103 • Simi Valley, CA: 800-423-0150 • Fax: 864-834-3518 • www.tsbrass.com

This Space for Architect/Engineer Approval

Job Name _____ Date _____

Model Specified _____ Quantity _____

Customer/Wholesaler _____

Contractor _____

Architect/Engineer _____

EPAct2005 Non-Compliant

B-0963 Continuous Pressure Type Vacuum Breaker w/ Integral Check Valve

B-0020-H2A 20" SS Flexible Water Connector To Hose Reel

EB-0107 Blue Spray Valve

0RK3 Control Valve

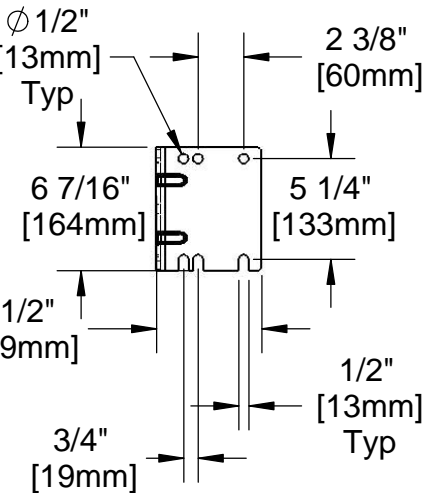
B-0109-07 Bracket (2)

000368-40 3/8" NPT x 16" Riser

1/2" NPT Female Inlets

8" [203mm]
Adjustable From 7 3/4" to 8 1/4" [197mm to 210mm]

002832-40 8" c/c Faucet w/ Spring Checks & Lever Handles w/ Color Coded Indexes



B-7222-C01 Enclosed Hose Reel w/ 30 Ft. Hose

63 5/16" [1456mm]

17 3/4" [502mm]

2 3/8" [61mm]

Product Specifications:

Enclosed Hose Reel w/ 30 Ft Hose, Blue Spray Valve, Vacuum Breaker, 3/8" NPT SS Flex Hose Asm, 8" c/c Wall Mounted Faucet, & Control Valve In Riser

Drawn

JRM

Checked

DHL

Approved

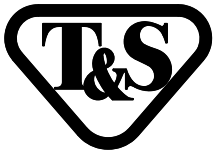
JHB

Scale:

1:11

Date:

01/05/12



T&S BRASS AND BRONZE WORKS, INC.

2 Saddleback Cove / P.O. Box 1088
Travelers Rest, SC 29690

Model No.

B-1433-02

Item No.

Travelers Rest, SC: 800-476-4103 • Simi Valley, CA: 800-423-0150 • Fax: 864-834-3518 • www.tsbrass.com

ITEM NO.	SALES NO.	DESCRIPTION
1	002832-40	B-131 Base Faucet
2	000368-40	Nipple, 3/8" x 16"
3	0RK3	Valve Control
4	002558-40	3/8" NPT x 40" Riser
5	B-0963	Continuous Pressure VB w/ Integral Check Valve
6	B-0020-H2A	20" SS Flex Hose
7	B-0109-07	Wall Bracket
8	000545-25	Adapter, 3/8 NPT Male x 3/4-14 Male
9	AW-5B-SS	QD Water Socket/Plug 3/8" SS
10	002535-25	Close Nipple, 3/8" NPT Chrome
11	B-7222-C01	Enclosed Coated Reel 30' of 3/8" Hose
12	000907-45	Spray Valve Hold Down Ring
13	010476-45	#27 Washer
14	EB-0107	Blue Spray Valve w/ Hold Down Ring & Washer
15	B-1433-03	B-0020-H2A w/QD Fitting & Adapters
16	001014-45	Washer, Hose Barrel
17	001359-40	1/2" Male x 3/8" Female Adapter

Product Specifications:

Enclosed Hose Reel w/ 30 Ft Hose, Blue Spray Valve, Vacuum Breaker, 3/8" NPT SS Flex Hose Asm, 8" c/c Wall Mounted Faucet, & Control Valve In Riser

Drawn

JRM

Checked

DHL

Approved

JHB

Scale:

NTS

Date:

01/05/12