



T&S BRASS AND BRONZE WORKS, INC.

2 Saddleback Cove / P.O. Box 1088
Travelers Rest, SC 29690

Model No.

B-1433-7102-01C

Item No.

Travelers Rest, SC: 800-476-4103 • Simi Valley, CA: 800-423-0150 • Fax: 864-834-3518 • www.tsbrass.com

This Space for Architect/Engineer Approval

Job Name _____ Date _____

Model Specified _____ Quantity _____

Customer/Wholesaler _____

Contractor _____

Architect/Engineer _____

B-0963
Continuous Pressure
Vacuum Breaker w/
Integral Check Valve

3/8" NPT x 36"
Flexible Water
Hose

Stainless Steel
Quick Disconnect

3/8" NPT x 40" Riser

Control Valve

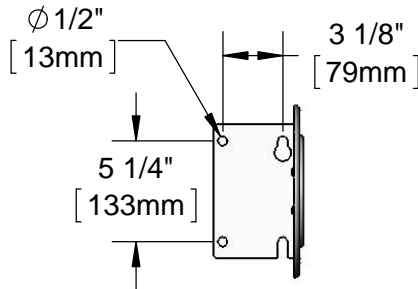
(2) B-0109-07
Wall Brackets

3/8" NPT x 16" Riser

12 3/8"
[315mm]

3 11/16"
[94mm]

Adjustable From
7 3/4" to 8 1/4"
[197mm to 210mm]



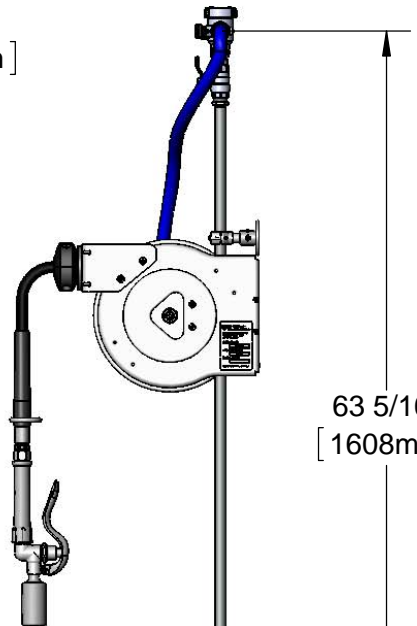
Open Stainless Steel
Hose Reel w/ 12' of
3/8" Hose

B-0107-C
0.65 GPM
Low Flow
Spray Valve

Eterna Cartridges
w/ Spring Checks
& Lever Handles
w/ Color Coded
Indexes

Ø 2" [51mm]
Flanges w/
1/2" NPT
Female Inlets

63 5/16"
[1608mm]



17 11/16"
[450mm]

2 3/8"
[61mm]

Mounting Surface

Product Specifications:

Open Stainless Steel Hose Reel w/ 12' of 3/8" Hose, 8" wall Mount Faucet w/ Spring Checks, 0.65 GPM Low Flow Spray Valve, Vacuum Breaker, 3/8" NPT Flexible Water Hose, Wall Brackets & Control Valve

Product Compliance:

NSF 61 Exempt (Non-Potable)
EPA Act 2005 (PRSV)
EPA WaterSense (PRSV)
ASSE 1056 (VB)

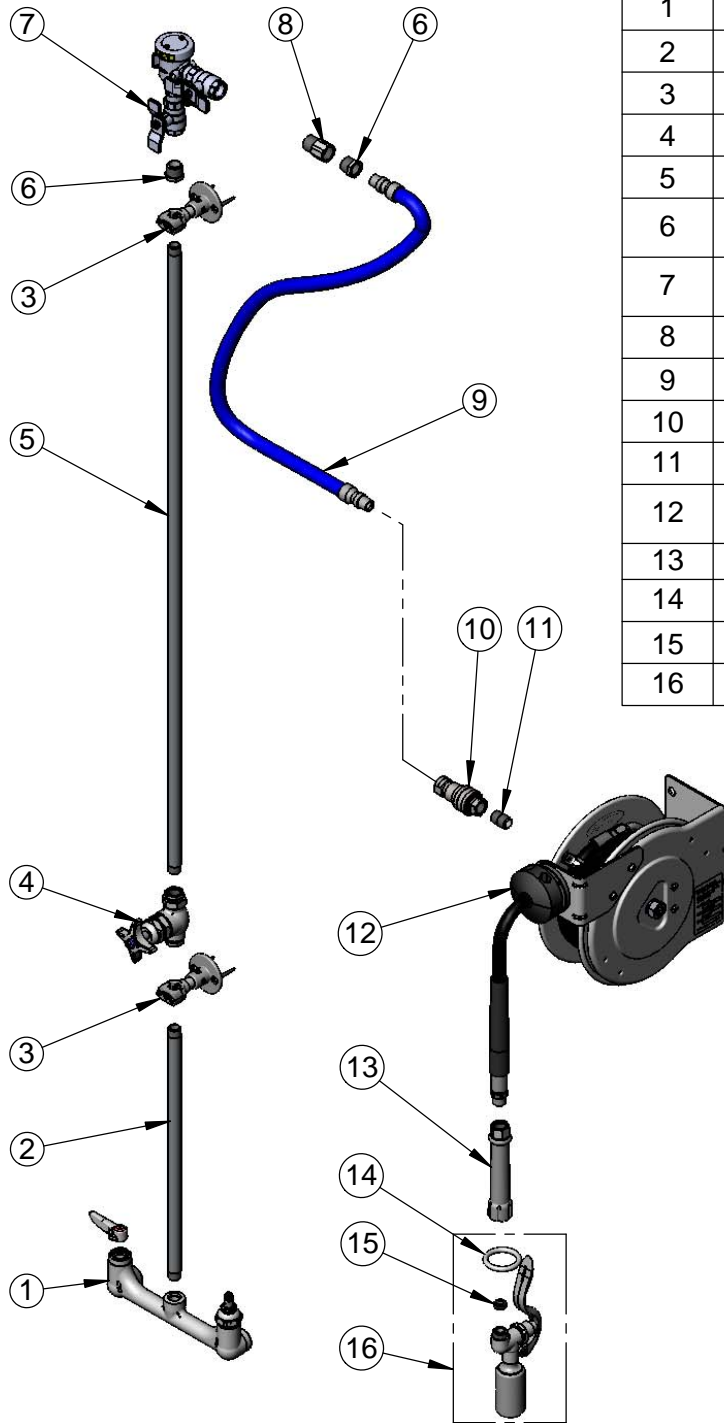


T&S BRASS AND BRONZE WORKS, INC.
 2 Saddleback Cove / P.O. Box 1088
 Travelers Rest, SC 29690

Model No.
B-1433-7102-01C

Item No.

Travelers Rest, SC: 800-476-4103 • Simi Valley, CA: 800-423-0150 • Fax: 864-834-3518 • www.tsbrass.com



ITEM NO.	SALES NO.	DESCRIPTION
1	002832-40	8" Wall Mount Mixing Faucet
2	000368-40	3/8" NPT x 16" Riser
3	B-0109-07	Wall Bracket
4	0RK3	Control Valve
5	002558-40	3/8" NPT x 40" Riser
6	001359-40	1/2" NPT Male x 3/8" NPT Female Hex Bushing
7	B-0963	1/2" NPT Continuous Pressure VB w/ Integral Check Valve
8	015073-40	Check Valve 1/2" NPT Adapter
9	HW-2B-36	3/8" NPT x 36" Flexible Water Hose
10	AW-5B	3/8" NPT Quick Disconnect
11	002535-25	3/8" Close Nipple
12	B-7102	Open Stainless Steel Hose Reel w/ 12' x 3/8" Hose
13	002881-40	Grip Handle
14	000907-45	Spray Valve Hold Down Ring
15	010476-45	#27 Washer
16	B-0107-C	0.65 GPM Low Flow Spray Valve

Product Specifications:

Open Stainless Steel Hose Reel w/ 12' of 3/8" Hose, 8" wall Mount Faucet w/ Spring Checks, 0.65 GPM Low Flow Spray Valve, Vacuum Breaker, 3/8" NPT Flexible Water Hose, Wall Brackets & Control Valve

Product Compliance:

NSF 61 Exempt (Non-Potable)
 EPA Act 2005 (PRSV)
 EPA WaterSense (PRSV)
 ASSE 1056 (VB)