



T&S BRASS AND BRONZE WORKS, INC.

2 Saddleback Cove / P.O. Box 1088
Travelers Rest, SC 29690

Model No.

B-1433

Item No.

Travelers Rest, SC: 800-476-4103 • Simi Valley, CA: 800-423-0150 • Fax: 864-834-3518 • www.tsbrass.com

EPAct2005 Non-Compliant

This Space for Architect/Engineer Approval

Job Name _____ Date _____

Model Specified _____ Quantity _____

Customer/Wholesaler _____

Contractor _____

Architect/Engineer _____

B-0963
Continuous Pressure
Vacuum Breaker w/
Integral Check Valve

3/8" NPT x 36"
Flexible Water
Connector To
Hose Reel

Stainless Steel
Quick Disconnect

3/8" NPT x 40"
Riser

Control Valve

B-0109-07
Wall Bracket (2)

3/8" NPT x 16"
Riser

3 11/16"
[94mm]

Adjustable From
7 3/4" to 8 1/4"
[197mm to 210mm]

Eterna Cartridges
w/ Spring Checks
& Lever Handles
w/ Color Coded
Indexes

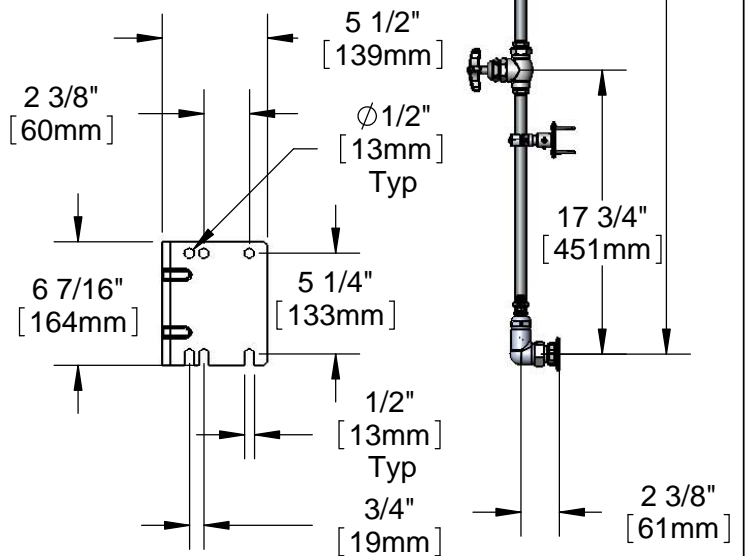
12 7/16"
[315mm]

Ø 2" [51mm]
Flanges w/
1/2" NPT
Female Inlets

B-7222-C01
Enclosed Coated Hose Reel
w/ 30 Ft. OF 3/8" Hose

EB-0107
Blue Spray Valve

63 5/16"
[1609mm]



Product Specifications:

Enclosed Coated Hose Reel w/ 30 Ft of 3/8" Hose, Blue Spray Valve, Vacuum Breaker, 3/8" NPT Flex Water Connector, 8" Wall Mounted Mixing Faucet, & Control Valves In Riser

Drawn

DHL

Checked

DMH

Approved

JHB

Scale:

1:12

Date:

02/11/13

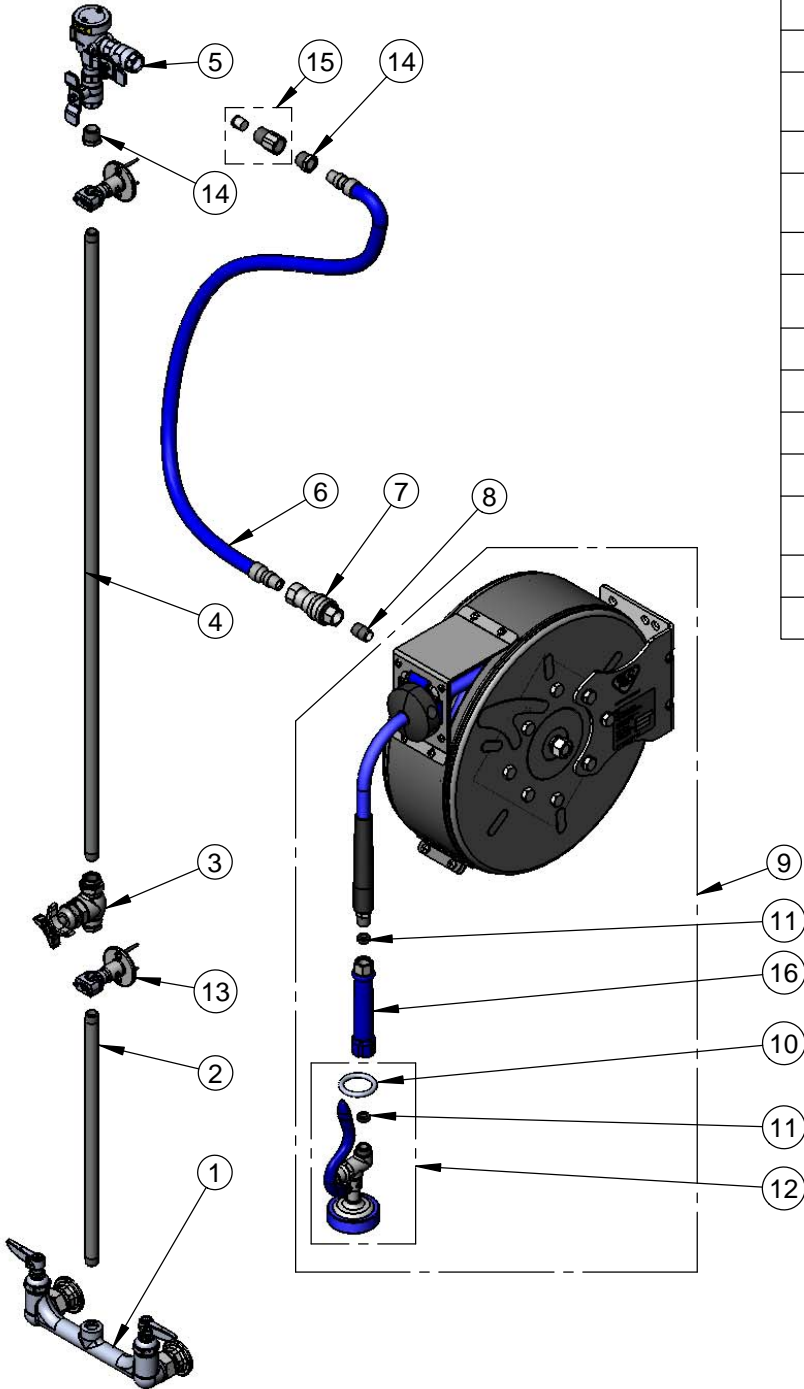


T&S BRASS AND BRONZE WORKS, INC.
 2 Saddleback Cove / P.O. Box 1088
 Travelers Rest, SC 29690

Model No.
B-1433

Item No.

Travelers Rest, SC: 800-476-4103 • Simi Valley, CA: 800-423-0150 • Fax: 864-834-3518 • www.tsbrass.com



ITEM NO.	SALES NO.	DESCRIPTION
1	002832-40	B- 0131 Base Faucet
2	000368-40	Nipple, 3/8" x 16"
3	0RK3	Control Valve
4	002558-40	3/8" NPT x 40" Riser
5	B-0963	Continuous Pressure VB w/ Integral Check Valve
6	HW-2B-36	3/8" NPT x 36" Flex Water Hose
7	AW-5B	3/8" QD Water Socket/Plug Stainless Steel
8	002535-25	3/8" Close Nipple
9	B-7222-C01	Enclosed Coated Reel 30' of 3/8" Hose
10	000907-45	Spray Valve Hold Down Ring
11	010476-45	#27 Washer
12	EB-0107	Blue Spray Valve
13	B-0109-07	Wall Bracket
14	001359-40	1/2" NPT Male x 3/8" NPT Female Bushing
15	010239-45	Check Valve Adapter
16	012504-40	Blue Handle Grip

Product Specifications:

Enclosed Coated Hose Reel w/ 30 Ft of 3/8" Hose, Blue Spray Valve, Vacuum Breaker, 3/8" NPT Flex Water Connector, 8" Wall Mounted Mixing Faucet, & Control Valves In Riser

Drawn DHL	Checked DMH	Approved JHB
Scale: NTS		Date: 02/11/13