



**T&S BRASS AND BRONZE WORKS, INC.**

2 Saddleback Cove / P.O. Box 1088  
Travelers Rest, SC 29690



REG. #A2601  
ISO #9001

Model No.

**B-1434-RG**

Item No.

Travelers Rest, SC: 800-476-4103 Simi Valley, CA: 800-423-0150 Fax: 864-834-3518 www.tsbrass.com

This Space for Architect/Engineer Approval

Job Name \_\_\_\_\_ Date \_\_\_\_\_  
 Model Specified \_\_\_\_\_ Quantity \_\_\_\_\_  
 Customer/Wholesaler \_\_\_\_\_  
 Contractor \_\_\_\_\_  
 Architect/Engineer \_\_\_\_\_

EPAct2005 Non-Compliant

**B-0963 Continuous Pressure Type Vacuum Breaker w/ Integral Check Valve**

**HW-4B-36 3/8" NPT x 36" Flexible Water Connector To Hose Reel**

**3/8" NPT x 32" Riser**

**0RK3 Control Valve**

**B-0109-07 Bracket (2)**

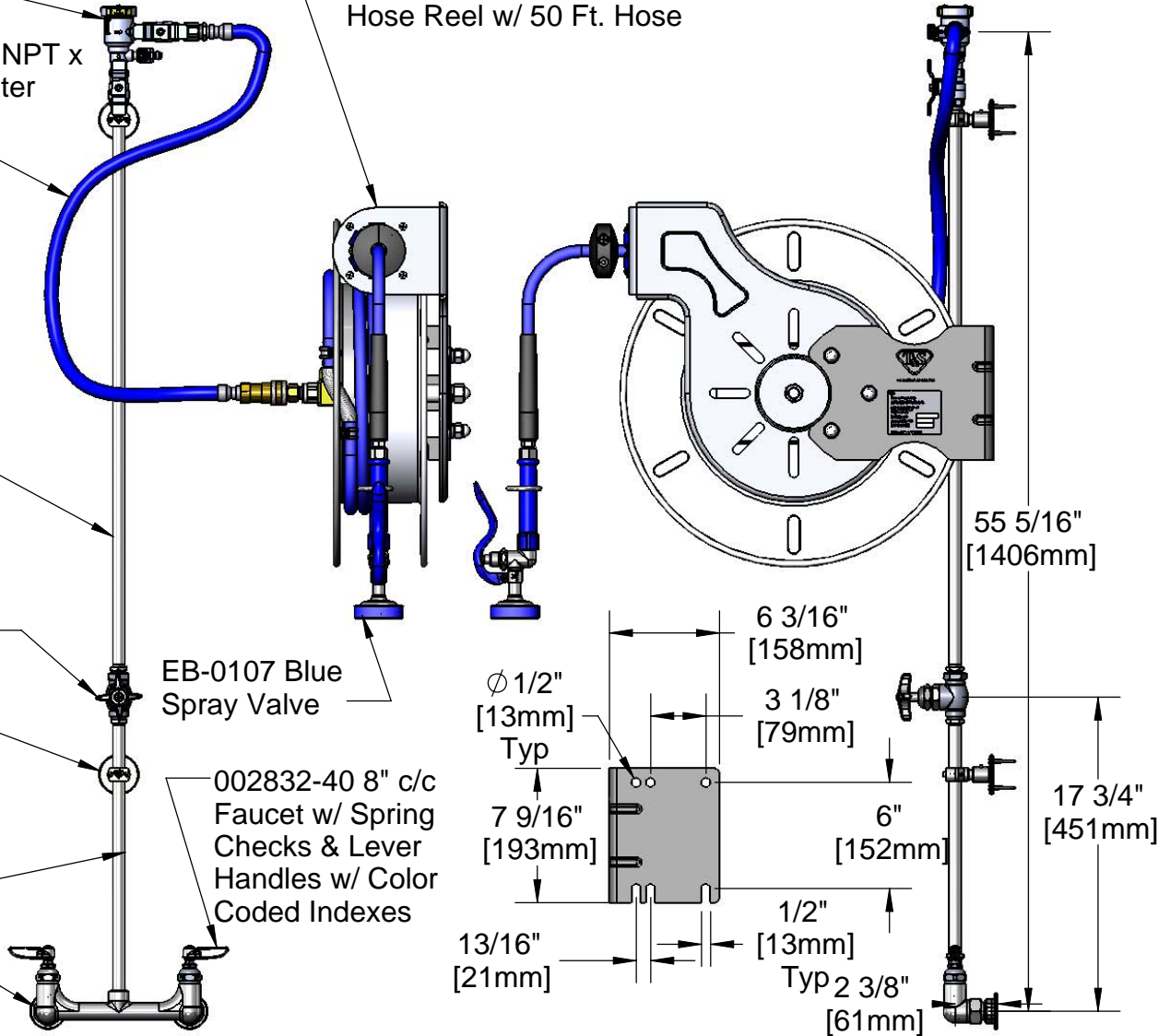
**3/8" NPT x 16" Riser**

**1/2" NPT Female Inlets**

**B-7142-01 Open SS Hose Reel w/ 50 Ft. Hose**

**EB-0107 Blue Spray Valve**

**002832-40 8" c/c Faucet w/ Spring Checks & Lever Handles w/ Color Coded Indexes**



Product Specifications:

**Enclosed SS Hose Reel w/ 50 Ft Hose, Blue Spray Valve, Vacuum Breaker, 3/8" NPT Flex Water Connector Asm, 8" c/c Wall Mounted Faucet, & Control Valve In Riser**

Drawn <b>JRM</b>	Checked <b>ARH</b>	Approved <b>JHB</b>
Scale: <b>NTS</b>		Date: <b>06/09/09</b>



**T&S BRASS AND BRONZE WORKS, INC.**

2 Saddleback Cove / P.O. Box 1088  
Travelers Rest, SC 29690



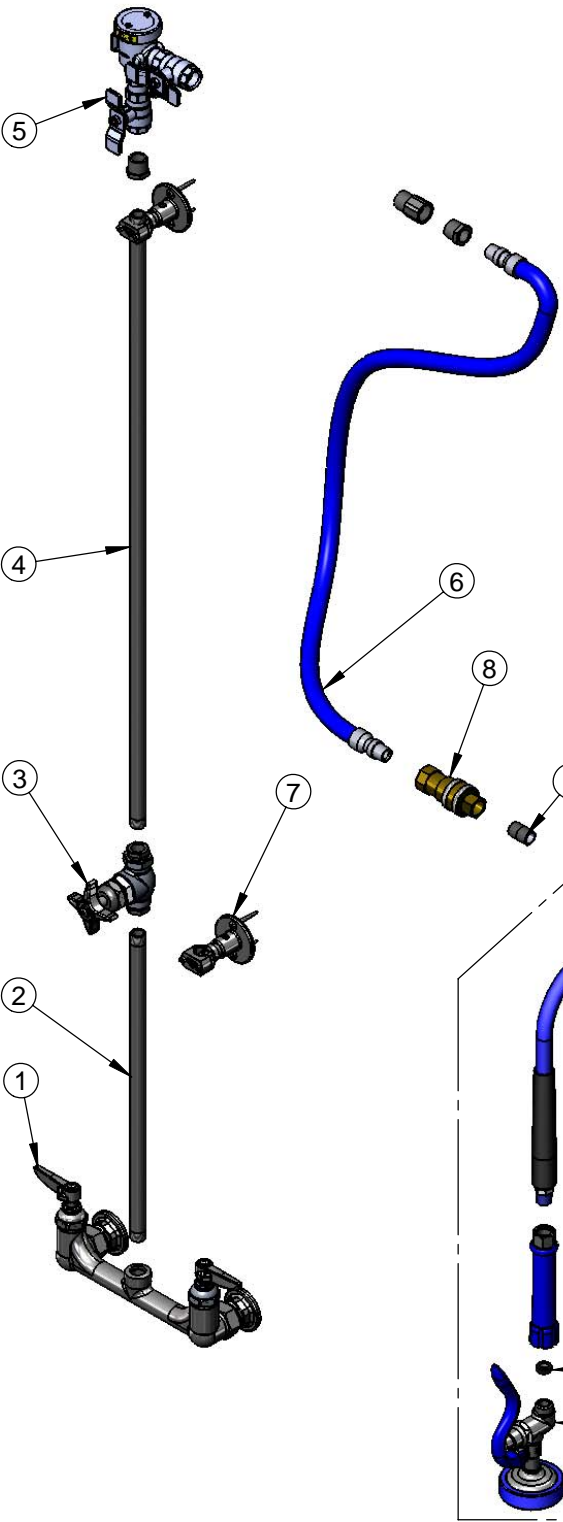
REG. #A2601  
ISO #9001

Model No.

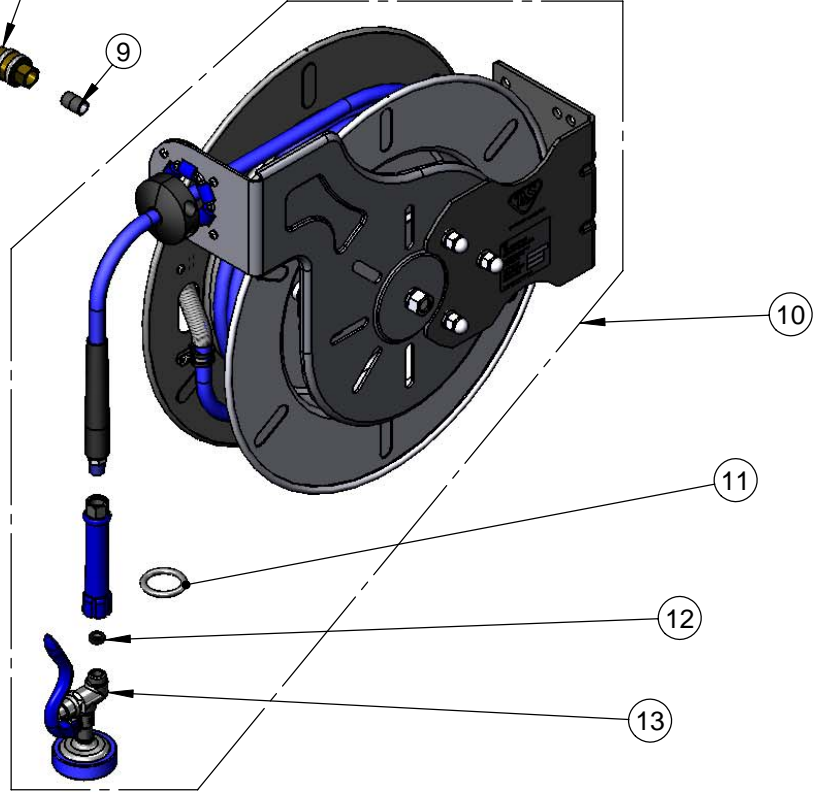
**B-1434-RG**

Item No.

Travelers Rest, SC: 800-476-4103 Simi Valley, CA: 800-423-0150 Fax: 864-834-3518 www.tsbrass.com



ITEM NO.	SALES NO.	DESCRIPTION
1	002832-40	B-131 Base Faucet
2	000368-40	16" Nipple, 3/8" NPT
3	0RK3	Valve Control
4	000376-40	3/8" NPT x 32" Riser
5	B-0963	B-0963 VB
6	HW-2B-36	3/8" NPT x 36" Flex Water Hose
7	B-0109-07	Wall Bracket
8	AW-5B	QD Water Socket/Plug 3/8" Brass
9	002535-25	3/8" Close Nipple
10	B-7142-01	Open SS Reel 50' of 3/8" Hose
11	000907-45	Spray Valve Hold Down Ring
12	010476-45	#27 Washer
13	EB-0107	EB-0107 Spray Valve



Product Specifications:  
Enclosed SS Hose Reel w/ 50 Ft Hose, Blue Spray Valve, Vacuum Breaker, 3/8" NPT Flex Water Connector Asm, 8" c/c Wall Mounted Faucet, & Control Valve In Riser

Drawn <b>JRM</b>	Checked <b>ARH</b>	Approved <b>JHB</b>
Scale: <b>NTS</b>		Date: <b>06/09/09</b>