



T&S BRASS AND BRONZE WORKS, INC.

2 Saddleback Cove / P.O. Box 1088
Travelers Rest, SC 29690



REG. #A2601
ISO #9001

Model No.
B-1436

Item No.

Travelers Rest, SC: 800-476-4103 Simi Valley, CA: 800-423-0150 Fax: 864-834-3518 www.tsbrass.com

This Space for Architect/Engineer Approval

Job Name _____ Date _____

Model Specified _____ Quantity _____

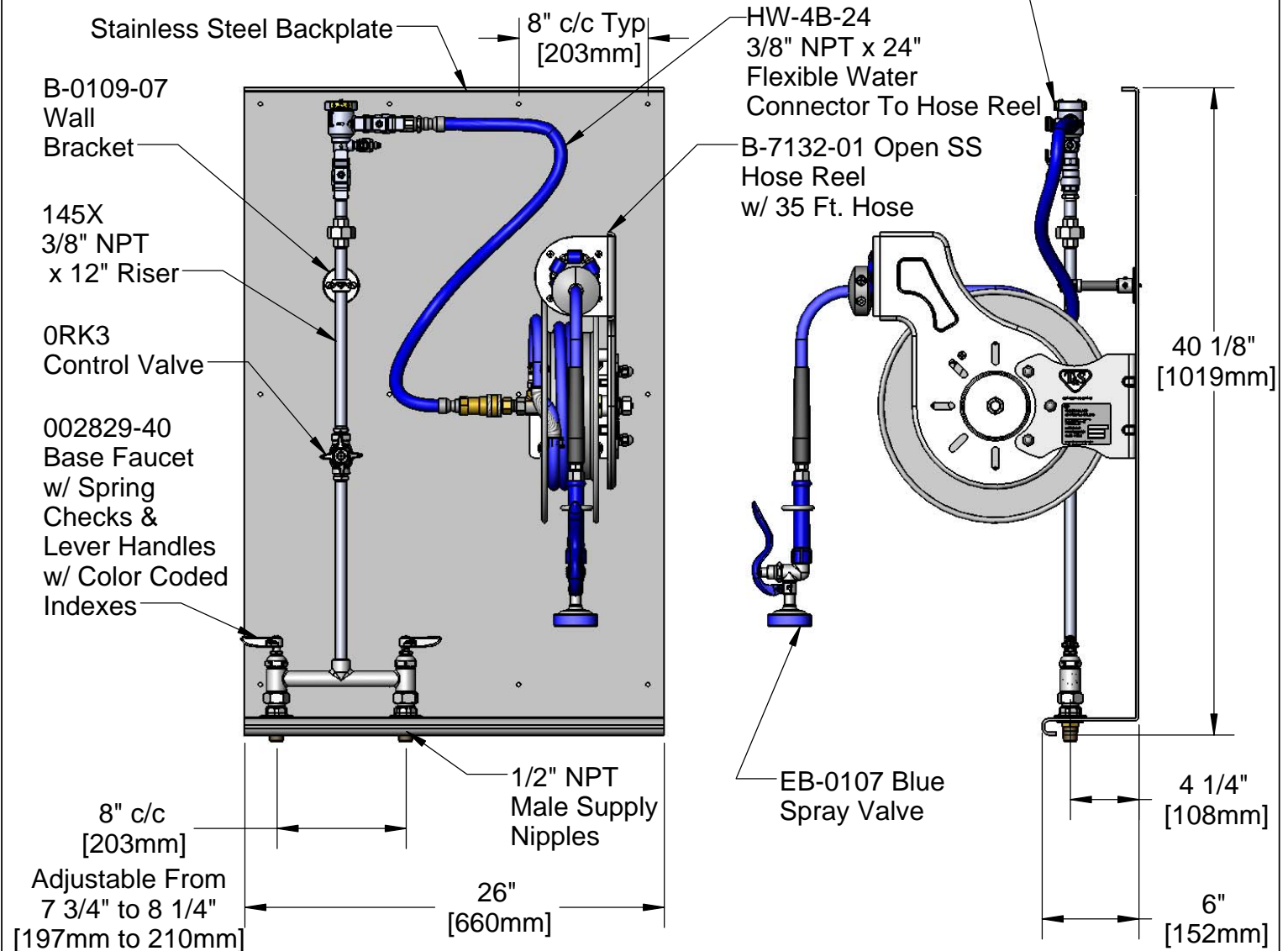
Customer/Wholesaler _____

Contractor _____

Architect/Engineer _____

EPAct2005 Non-Compliant

B-0963 Continuous Pressure Type Vacuum Breaker w/ Integral Check Valve



Product Specifications:
Open SS Hose Reel w/ 35 Ft Hose on SS Backplate, Blue Spray Valve, Vacuum Breaker, 3/8" NPT Flex Water Connector Asm, 8" c/c Wall Mounted Faucet, & Control Valve In Riser

Drawn JRM	Checked DHL	Approved JHB
Scale: NTS		Date: 09/30/11



T&S BRASS AND BRONZE WORKS, INC.

2 Saddleback Cove / P.O. Box 1088
Travelers Rest, SC 29690



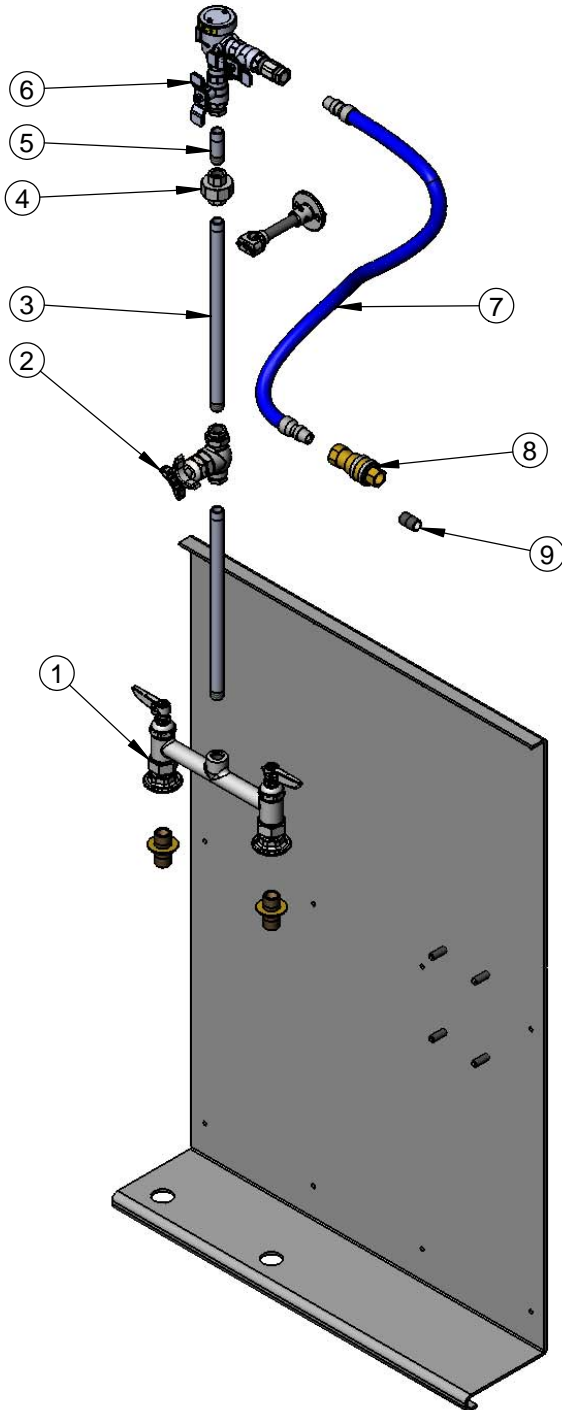
REG. #A2601
ISO #9001

Model No.

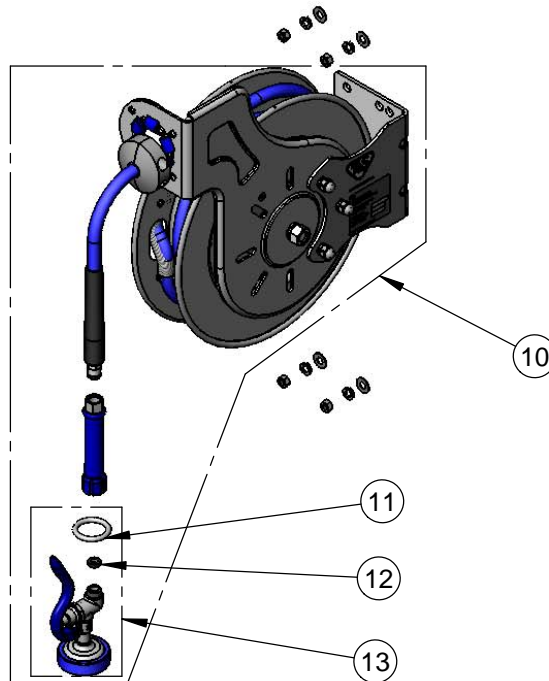
B-1436

Item No.

Travelers Rest, SC: 800-476-4103 Simi Valley, CA: 800-423-0150 Fax: 864-834-3518 www.tsbrass.com



ITEM NO.	SALES NO.	DESCRIPTION
1	002829-40	8" Deck Mount Faucet
2	0RK3	Valve Control
3	145X	3/8" NPT x 12" Riser
4	002475-40	3/8" NPT Union
5	000357-40	3/8" NPT x 2" Riser
6	B-0963	Vacuum Breaker
7	HW-2B-24	3/8" NPT x 24" Flex Water Hose
8	AW-5B	QD Water Socket/Plug 3/8" Brass
9	002535-25	3/8" NPT Close Nipple
10	B-7132-01	Open SS 35' of 3/8" Hose
11	000907-45	Spray Valve Hold Down Ring
12	010476-45	#27 Washer
13	EB-0107	EB-0107 Blue Spray Valve



Product Specifications:

Open SS Hose Reel w/ 35 Ft Hose on SS Backplate,
Blue Spray Valve, Vacuum Breaker, 3/8" NPT Flex Water
Connector Asm, 8" c/c Wall Mounted Faucet,
& Control Valve In Riser

Drawn JRM	Checked DHL	Approved JHB
Scale: NTS		Date: 09/30/11