



**T&S BRASS AND BRONZE WORKS, INC.**  
 2 Saddleback Cove / P.O. Box 1088  
 Travelers Rest, SC 29690

Model No.  
**B-1439-BF12-C12**

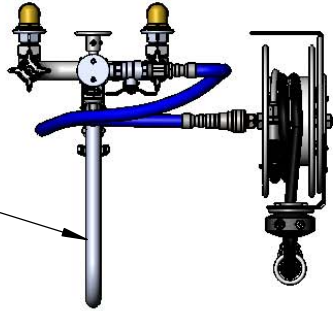
Item No.

Travelers Rest, SC: 800-476-4103 • Simi Valley, CA: 800-423-0150 • Fax: 864-834-3518 • www.tsbrass.com

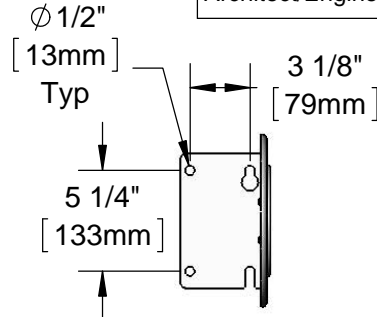
This Space for Architect/Engineer Approval

Job Name \_\_\_\_\_ Date \_\_\_\_\_  
 Model Specified \_\_\_\_\_ Quantity \_\_\_\_\_  
 Customer/Wholesaler \_\_\_\_\_  
 Contractor \_\_\_\_\_  
 Architect/Engineer \_\_\_\_\_

114X  
 12" Big-Flo Swing  
 Nozzle w/ Plain  
 End Outlet



B-0963  
 Continuous Pressure  
 Vacuum Breaker w/  
 Integral Check Valve



Mounting Holes  
 Details

3/8" NPT x 36"  
 Flexible Water  
 Connector

3/8" NPT x 40" Riser

Stainless Steel  
 Quick Disconnect

Open Stainless Steel  
 Hose Reel w/ 12' of  
 3/8" Hose

B-0107-C  
 0.65 GPM  
 Low Flow  
 Spray Valve



(2) B-0109-07  
 Wall Brackets

Control Valve

3/8" NPT x 8" Riser

Item Not Shown  
 for Clarity

Big-Flo Cartridges  
 & 4-Arm Handles  
 w/ Color Coded  
 Indexes

10 5/8"  
 [270mm]

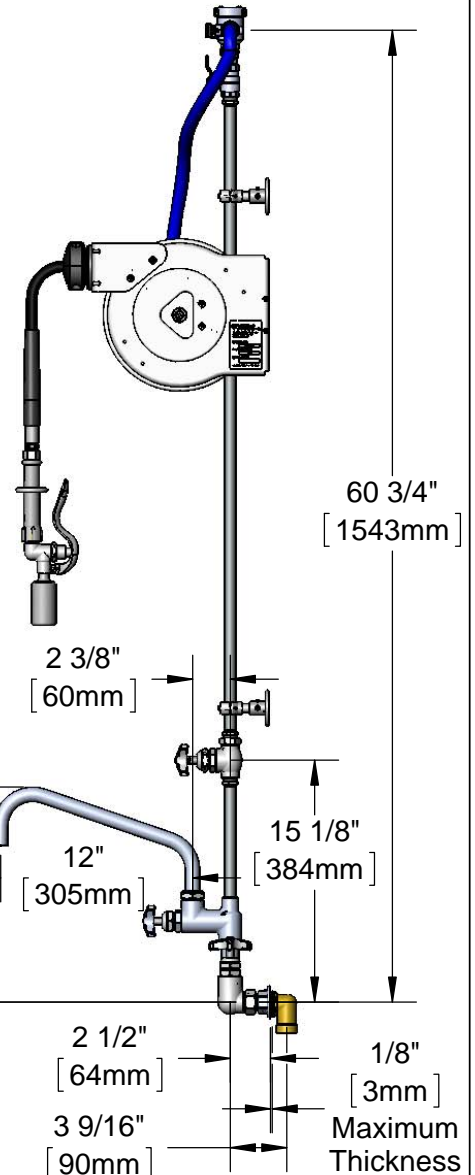
Faucet Body w/  
 Integral Check  
 Valves

8"  
 [203mm]

Ø 2" [51mm]  
 Flanges

3/4" NPT  
 Female Inlets

Adjustable From  
 7 3/4" to 8 1/4"  
 [197mm to 210mm]



Product Specifications:

Open Stainless Steel Hose Reel w/ 12' of 3/8" Hose, Big-Flo Faucet w/ Integral Check Valves, Big-Flo Add-On Faucet, 12" Big-Flo Swing Nozzle w/ Plain End Outlet, 0.65 GPM Low Flow Spray Valve, Vacuum Breaker, 3/8" NPT Flexible Water Connector & Control Valve

Product Compliance:

NSF 61 Exempt (Non-Potable)  
 EPA WaterSense (PRSV)  
 ASSE 1056 (VB)



# T&S BRASS AND BRONZE WORKS, INC.

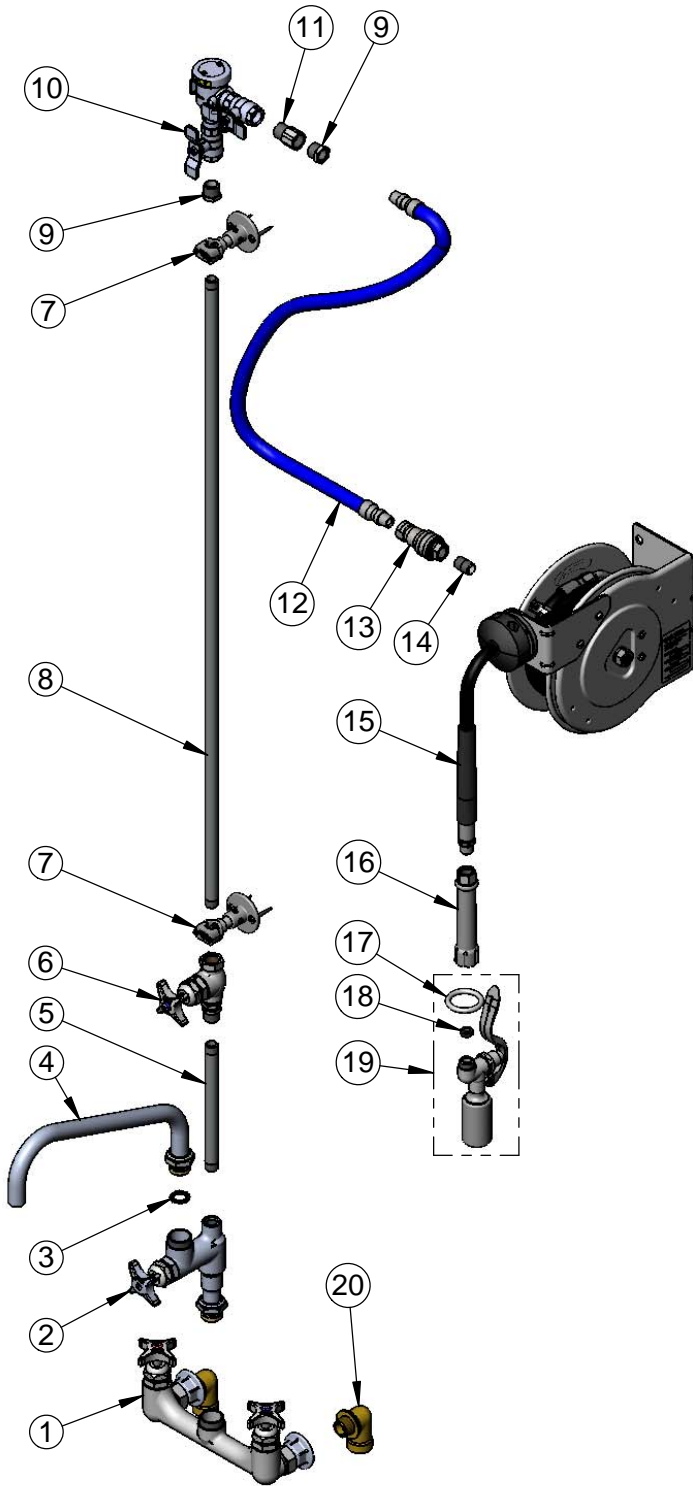
2 Saddleback Cove / P.O. Box 1088  
Travelers Rest, SC 29690

Model No.

**B-1439-BF12-C12**

Item No.

Travelers Rest, SC: 800-476-4103 • Simi Valley, CA: 800-423-0150 • Fax: 864-834-3518 • www.tsbrass.com



ITEM NO.	SALES NO.	DESCRIPTION
1	002840-40CV	Big-Flo Faucet w/ Integral Check Valves
2	B-0286-LNEZ	Big-Flo EasyInstall Add-On Faucet
3	016807-45	Serrated Lock Washer
4	114X	12" Big-Flo Swing Nozzle
5	078X	3/8" NPT x 8" Riser
6	0RK3	Control Valve
7	B-0109-07	2 3/8" Wall Bracket
8	002558-40	3/8" NPT x 40" Riser
9	001359-40	1/2" NPT Male x 3/8" NPT Female Hex Bushing
10	B-0963	1/2" NPT Continuous Pressure VB w/ Integral Check Valve
11	015073-40	Check Valve w/ 1/2" NPT Adapter
12	HW-2B-36	3/8" NPT x 36" Flexible Water Hose
13	AW-5B	3/8" NPT Quick Disconnect
14	002535-25	3/8" Close Nipple
15	B-7102	Open Stainless Steel Reel w/ 12" of 3/8" Hose
16	002881-40	Grip Handle
17	000907-45	Spray Valve Hold Down Ring
18	010476-45	#27 Washer
19	B-0107-C	0.65 GPM Low Flow Spray Valve
20	00LL	3/4" Short Elbow Inlet

**Product Specifications:**

Open Stainless Steel Hose Reel w/ 12' of 3/8" Hose, Big-Flo Faucet w/ Integral Check Valves, Big-Flo Add-On Faucet, 12" Big-Flo Swing Nozzle w/ Plain End Outlet, 0.65 GPM Low Flow Spray Valve, Vacuum Breaker, 3/8" NPT Flexible Water Connector & Control Valve

**Product Compliance:**

NSF 61 Exempt (Non-Potable)  
EPA WaterSense (PRSV)  
ASSE 1056 (VB)