



T&S BRASS AND BRONZE WORKS, INC.

2 Saddleback Cove / P.O. Box 1088
Travelers Rest, SC 29690



REG. #A2601
ISO #9001

Model No.

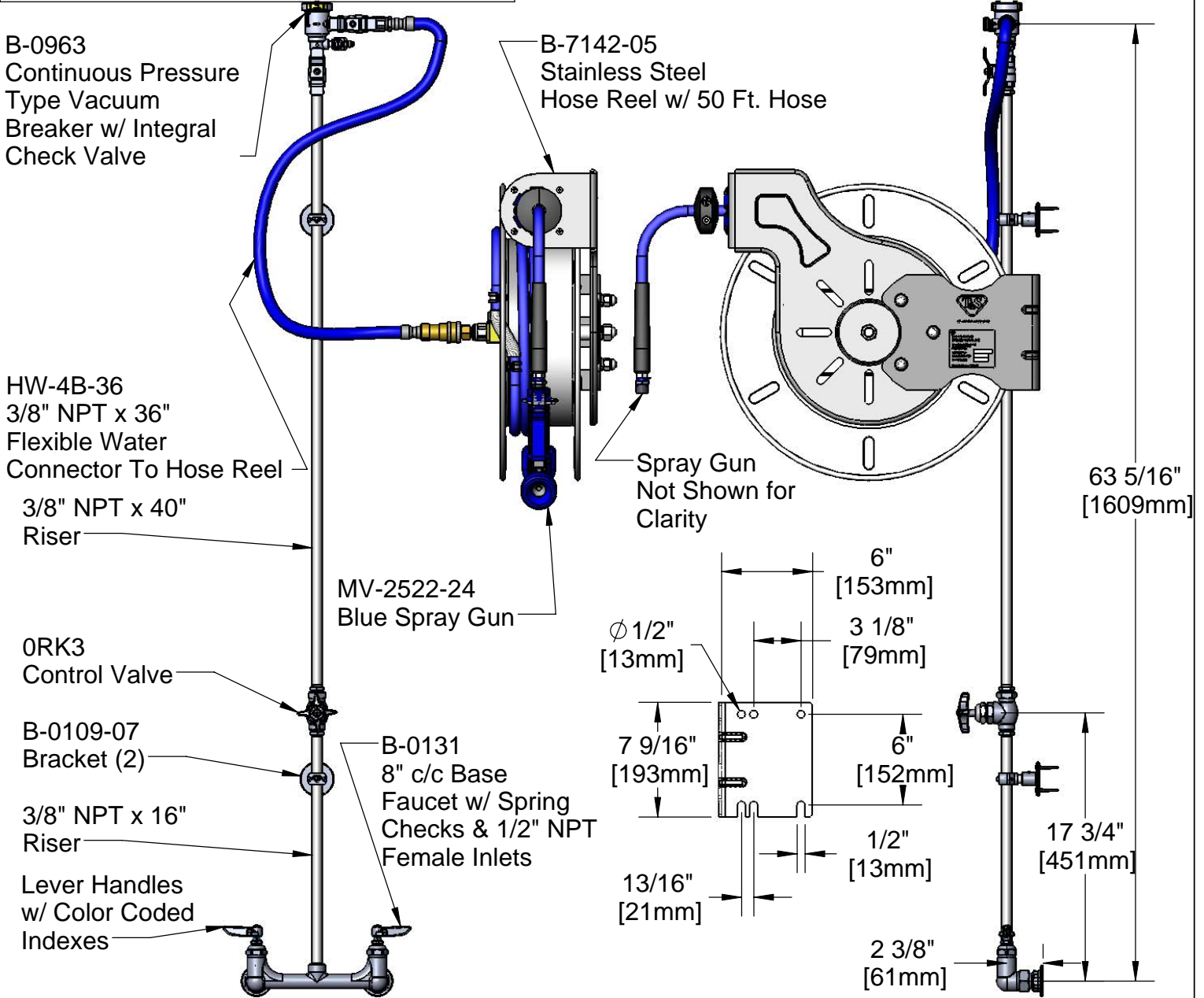
B-1439

Item No.

Travelers Rest, SC: 800-476-4103 Simi Valley, CA: 800-423-0150 Fax: 864-834-3518 www.tsbrass.com

This Space for Architect/Engineer Approval

Job Name _____ Date _____
 Model Specified _____ Quantity _____
 Customer/Wholesaler _____
 Contractor _____
 Architect/Engineer _____



Product Specifications:

Stainless Steel Hose Reel w/ 50 Ft Hose, MV-2522-24, Vacuum Breaker, 3/8" NPT Flex Water Connector Asm, 8" c/c Wall Mounted Faucet, & Control Valves In Riser

Drawn JRM	Checked DMH	Approved JHB
Scale: NTS		Date: 01/23/09



T&S BRASS AND BRONZE WORKS, INC.

2 Saddleback Cove / P.O. Box 1088
Travelers Rest, SC 29690



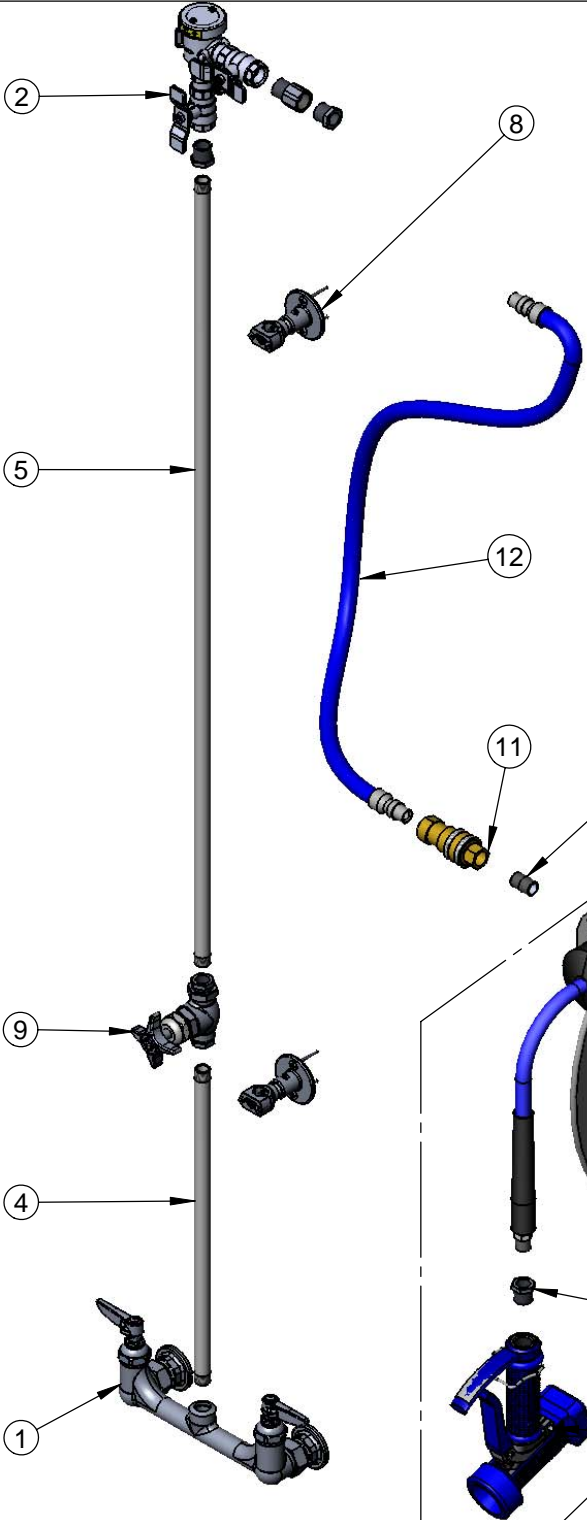
REG. #A2601
ISO #9001

Model No.

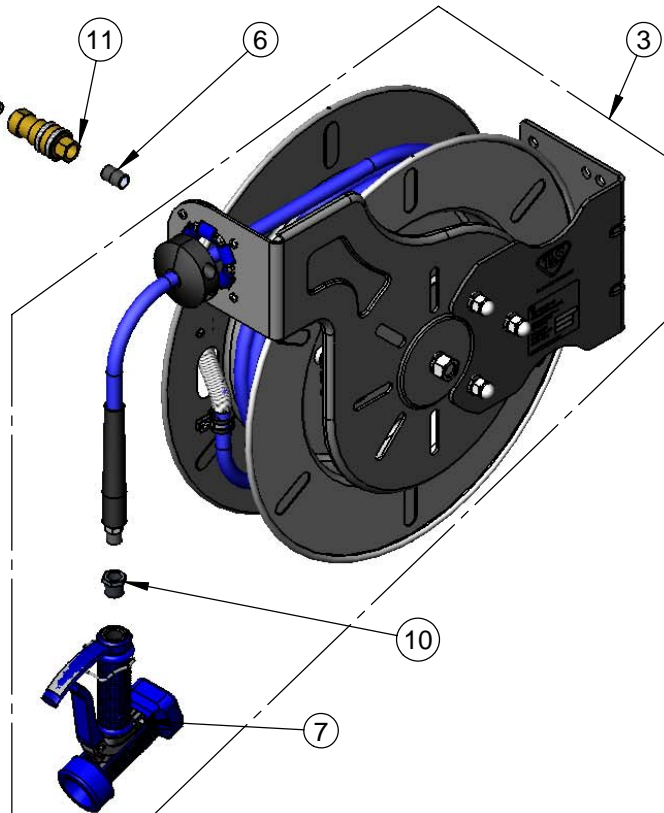
B-1439

Item No.

Travelers Rest, SC: 800-476-4103 Simi Valley, CA: 800-423-0150 Fax: 864-834-3518 www.tsbrass.com



ITEM NO.	SALES NO.	DESCRIPTION
1	002832-40	B-131 Base Faucet
2	B-0963	B-0963 VB
3	B-7142-05	Open SS Reel 50' of 3/8" Hose w/ Blue Front Trigger Spray Gun
4	000368-40	16" Nipple, 3/8" NPT
5	002558-40	3/8" NPT x 40" Riser
6	002535-25	3/8" Close Nipple
7	MV-2522-24	SS Water Gun, Front Trigger
8	B-0109-07	Wall Bracket
9	0RK3	Valve Control
10	001359-40	Hex Bushing, 1/2" Male x 3/8" Female
11	AW-5B	3/8" NPT Quick Connect
12	HW-2B-36	3/8" NPT x 36" Flex Water Hose



Product Specifications:

Stainless Steel Hose Reel w/ 50 Ft Hose, MV-2522-24, Vacuum Breaker, 3/8" NPT Flex Water Connector Asm, 8" c/c Wall Mounted Faucet, & Control Valves In Riser

Drawn	Checked	Approved
JRM	DMH	JHB
Scale:		Date:
1:8		01/23/09