



T&S BRASS AND BRONZE WORKS, INC.

2 Saddleback Cove / P.O. Box 1088
Travelers Rest, SC 29690



REG. #A2601
ISO #9001

Model No.

B-1444-CV

Item No.

Travelers Rest, SC: 800-476-4103 Simi Valley, CA: 800-423-0150 Fax: 864-834-3518 www.tsbrass.com

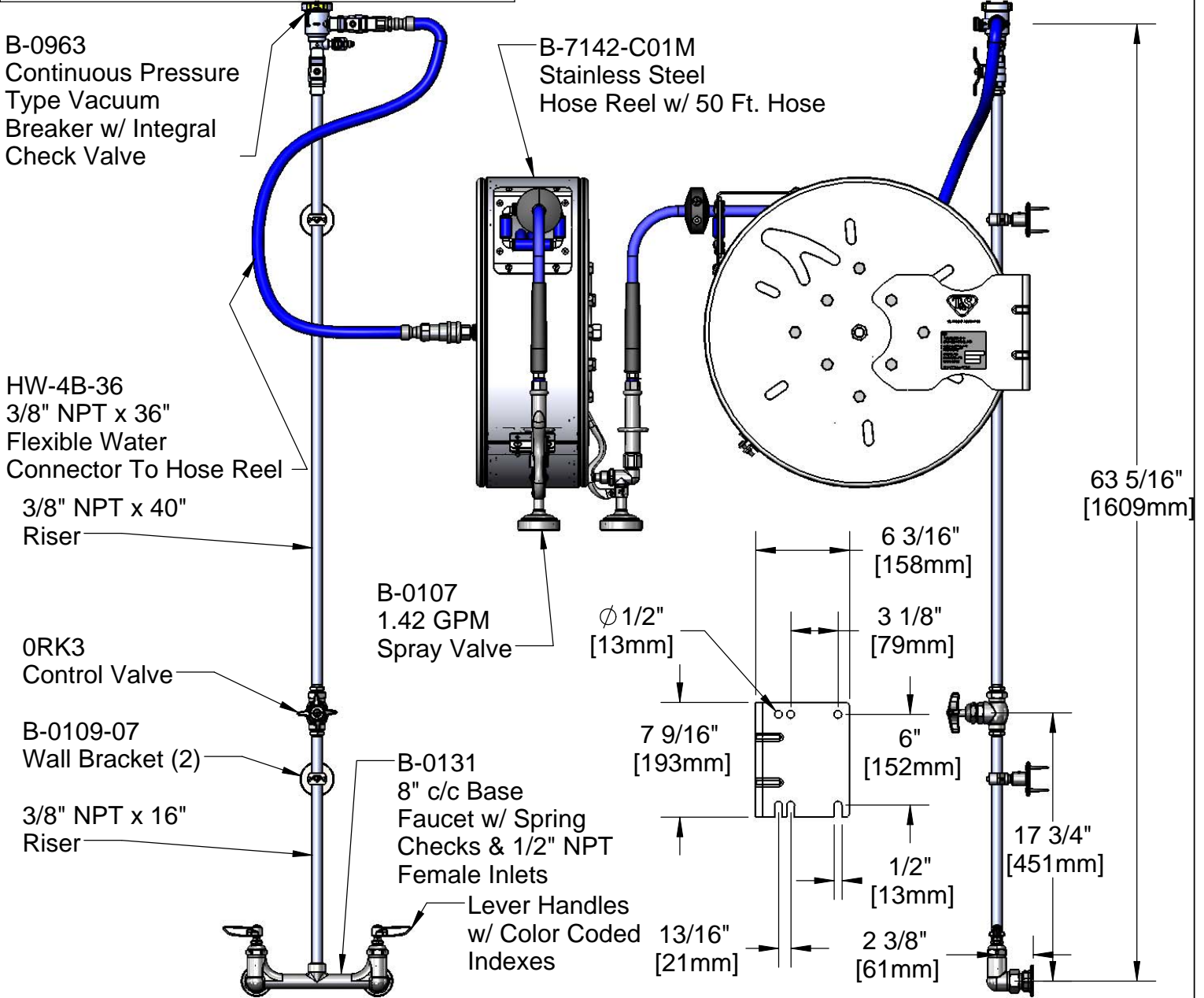
This Space for Architect/Engineer Approval

Job Name _____ Date _____
 Model Specified _____ Quantity _____
 Customer/Wholesaler _____
 Contractor _____
 Architect/Engineer _____

EPAct2005 Compliant



B-CVH1-2
(2) Check Valves
Included



Product Specifications:

**Stainless Steel Enclosed Hose Reel w/ 50 Ft Hose,
B-0107, Vac Breaker, Check Valves, 3/8" NPT Flex
Connector Asm, 8" c/c Wall Mount Faucet, & Control Valve in Riser**

Drawn JRM	Checked DMH	Approved JHB
Scale: NTS		Date: 07/09/10



T&S BRASS AND BRONZE WORKS, INC.

2 Saddleback Cove / P.O. Box 1088
Travelers Rest, SC 29690



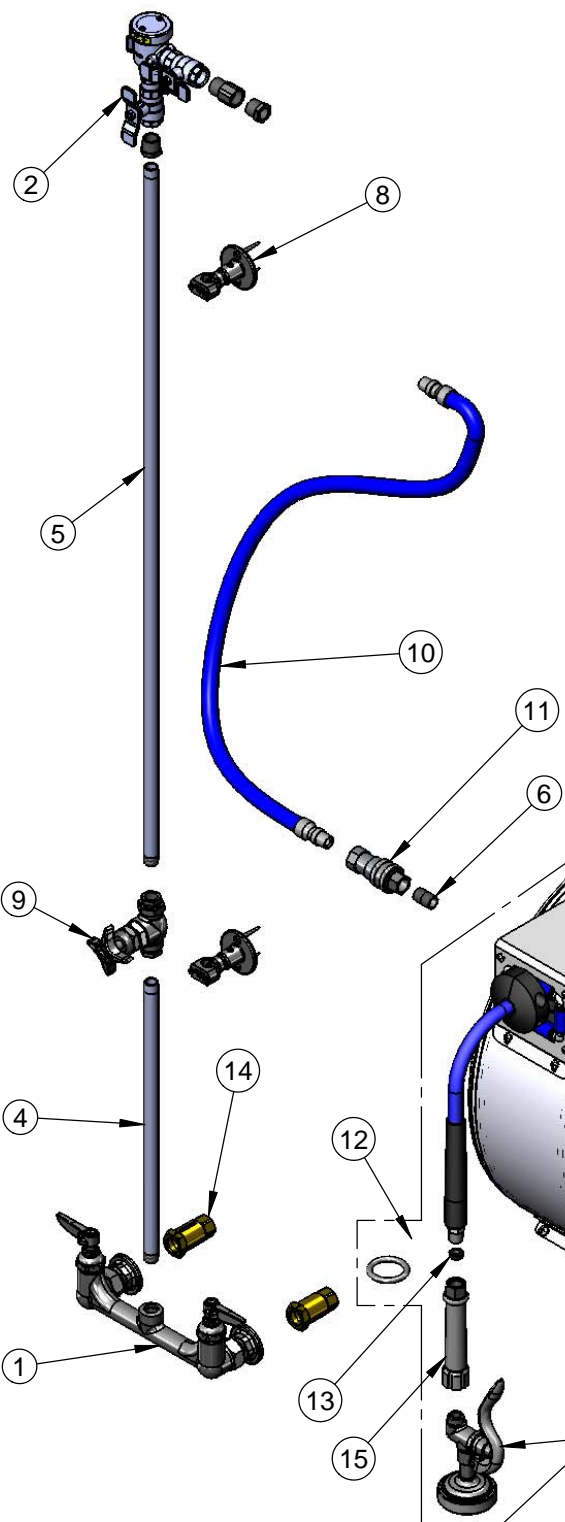
REG. #A2601
ISO #9001

Model No.

B-1444-CV

Item No.

Travelers Rest, SC: 800-476-4103 Simi Valley, CA: 800-423-0150 Fax: 864-834-3518 www.tsbrass.com



ITEM NO.	SALES NO.	DESCRIPTION
1	002832-40	B-131 Base Faucet
2	B-0963	B-0963 VB
3	B-7142-C01M	Enclosed SS Reel 50' of 3/8" Hose
4	000368-40	Nipple, 3/8" x 16"
5	002558-40	3/8" NPT x 40" Riser
6	002535-25	3/8" Close Nipple
7	B-0107	B-0107 Spray Valve
8	B-0109-07	Wall Bracket
9	0RK3	Valve Control
10	HW-2B-36	3/8" NPT x 36" Flex Water Hose
11	AW-5B	3/8" NPT Quick Connect
12	000907-45	Hold Down Ring
13	010476-45	#27 Washer
14	B-CVH1-2	1/2" Check Valve
15	002881-40	3/8" NPT Gray Handle Assembly

Product Specifications:
Stainless Steel Enclosed Hose Reel w/ 50 Ft Hose,
B-0107, Vac Breaker, Check Valves, 3/8" NPT Flex
Connector Asm, 8" c/c Wall Mount Faucet, & Control Valve in Riser

Drawn JRM	Checked DMH	Approved JHB
Scale: NTS		Date: 07/09/10