



**T&S BRASS AND BRONZE WORKS, INC.**

2 Saddleback Cove / P.O. Box 1088  
Travelers Rest, SC 29690



REG. #A2601  
ISO #9001

Model No.  
**B-1454**

Item No.

Travelers Rest, SC: 800-476-4103 Simi Valley, CA: 800-423-0150 Fax: 864-834-3518 www.tsbrass.com

This Space for Architect/Engineer Approval

Job Name \_\_\_\_\_ Date \_\_\_\_\_

Model Specified \_\_\_\_\_ Quantity \_\_\_\_\_

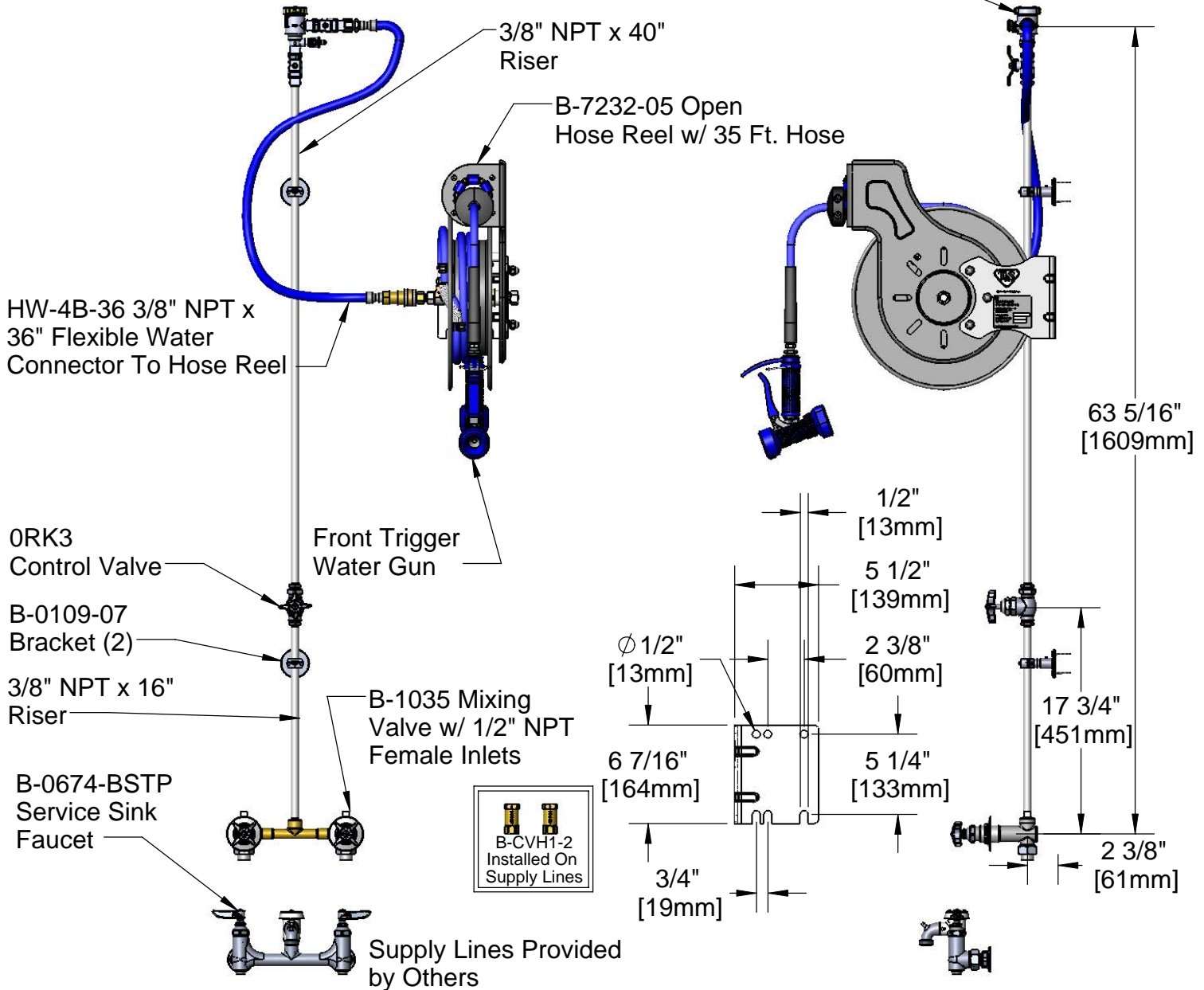
Customer/Wholesaler \_\_\_\_\_

Contractor \_\_\_\_\_

Architect/Engineer \_\_\_\_\_

**EPAct2005 Non-Compliant**

**B-0963 Continuous  
Pressure Type  
Vacuum Breaker  
w/ Integral  
Check Valve**



Product Specifications:  
**Open Coated Hose Reel w/ 35 Ft Hose, Blue Front Trigger Water Gun, Vacuum Breaker, 3/8" NPT Flex Water Connector Asm, 8" Concealed Mixing Valve, Service Sink Faucet, & Control Valves In Riser**

Drawn <b>JRM</b>	Checked <b>DMH</b>	Approved <b>JHB</b>
Scale: <b>NTS</b>		Date: <b>05/01/09</b>



# T&S BRASS AND BRONZE WORKS, INC.

2 Saddleback Cove / P.O. Box 1088  
Travelers Rest, SC 29690



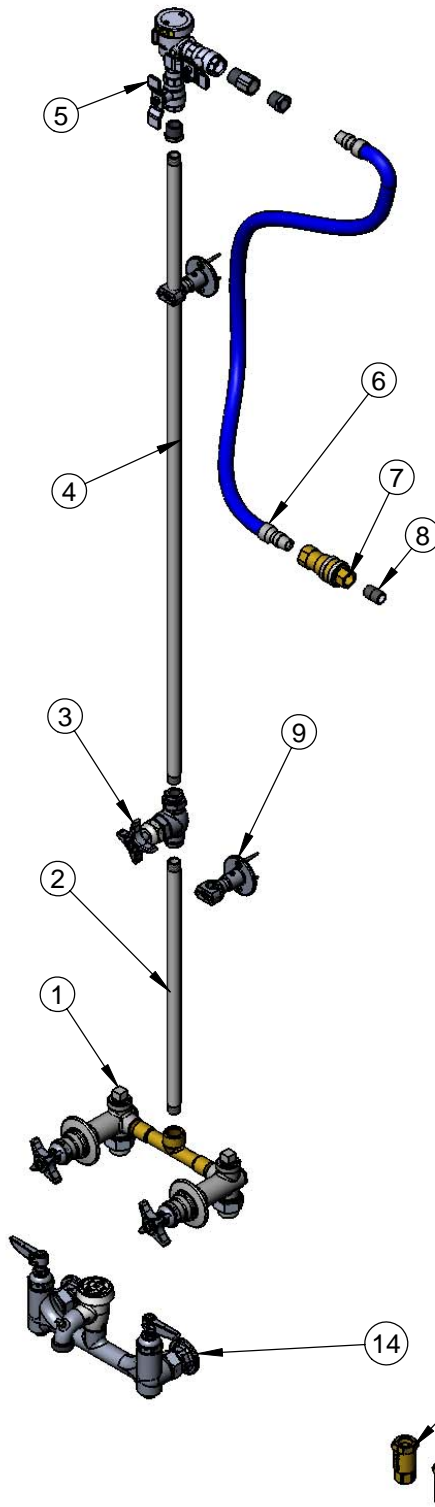
REG. #A2601  
ISO #9001

Model No.

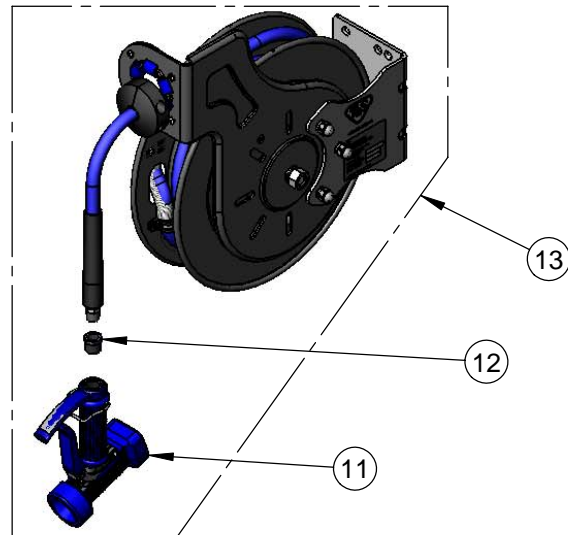
**B-1454**

Item No.

Travelers Rest, SC: 800-476-4103 Simi Valley, CA: 800-423-0150 Fax: 864-834-3518 www.tsbrass.com



ITEM NO.	SALES NO.	DESCRIPTION
1	B-1035	Concealed Mixing Valve
2	000368-40	16" Nipple, 3/8" NPT
3	0RK3	Valve Control
4	002558-40	3/8" NPT x 40" Riser
5	B-0963	B-0963 VB
6	HW-2B-36	3/8" NPT x 36" Flex Water Hose
7	AW-5B	QD Water Socket/Plug 3/8" Brass
8	002535-25	3/8" Close Nipple
9	B-0109-07	Wall Bracket
10	B-CVH1-2	1/2" Check Valve
11	MV-2522-24	SS Water Gun, Front Trigger
12	001359-40	Hex Bushing, 1/2" Male x 3/8" Female
13	B-7232-05	3/8" x 35' Reel w/ Blue Front Trigger Water Gun
14	B-0674-BSTP	Service Sink w/ Vacuum Breaker



**Product Specifications:**

Open Coated Hose Reel w/ 35 Ft Hose, Blue Front Trigger Water Gun, Vacuum Breaker, 3/8" NPT Flex Water Connector Asm, 8" Concealed Mixing Valve, Service Sink Faucet, & Control Valves In Riser

Drawn <b>JRM</b>	Checked <b>DMH</b>	Approved <b>JHB</b>
Scale: <b>NTS</b>		Date: <b>05/01/09</b>