



# T&S BRASS AND BRONZE WORKS, INC.

2 Saddleback Cove / P.O. Box 1088  
Travelers Rest, SC 29690

Model No.

**B-1457**

Item No.

Travelers Rest, SC: 800-476-4103 • Simi Valley, CA: 800-423-0150 • Fax: 864-834-3518 • www.tsbrass.com

This Space for Architect/Engineer Approval

Job Name \_\_\_\_\_ Date \_\_\_\_\_

Model Specified \_\_\_\_\_ Quantity \_\_\_\_\_

Customer/Wholesaler \_\_\_\_\_

Contractor \_\_\_\_\_

Architect/Engineer \_\_\_\_\_

**EPAAct2005 Compliant**

B-0963  
Continuous Pressure  
Type Vacuum  
Breaker w/ Integral  
Check Valve

HW-4B-36  
3/8" NPT x 36"  
Flexible Water  
Connector To  
Hose Reel

3/8" NPT x 40"  
Riser

0RK3  
Control Valve

B-0109-07  
Wall Bracket (2)

3/8" NPT x 16"  
Riser

Lever Handles  
w/ Color Coded  
Indexes

002824-40  
Single Hole  
Faucet w/ Spring  
Checks & Lever  
Handles w/ Color  
Coded Indexes

B-7222-C01M  
Enclosed Epoxy Coated  
Hose Reel w/ 30 Ft. Hose

B-0107  
1.42 GPM  
Spray Valve

1/2"  
[13mm]

5 1/2"  
[139mm]

2 7/8"  
[73mm]

6 7/16"  
[164mm]

5 1/4"  
[133mm]

3/4"  
[19mm]

5 1/2"  
[139mm]

2 7/8"  
[73mm]

5 1/4"  
[133mm]

1/2"  
[13mm]

66 1/16"  
[1678mm]

20 7/16"  
[520mm]

**Product Specifications:**

Epoxy Coated Enclosed Hose Reel w/ 30 Ft Hose,  
B-0107, Vac Breaker, Check Valves, 3/8" NPT Flex  
Connector Asm, Single Hole Faucet, & Control Valve in Riser

Drawn

**JRM**

Checked

**KJG**

Approved

**JHB**

Scale:

**1:12**

Date:

**04/13/12**



# T&S BRASS AND BRONZE WORKS, INC.

2 Saddleback Cove / P.O. Box 1088  
Travelers Rest, SC 29690

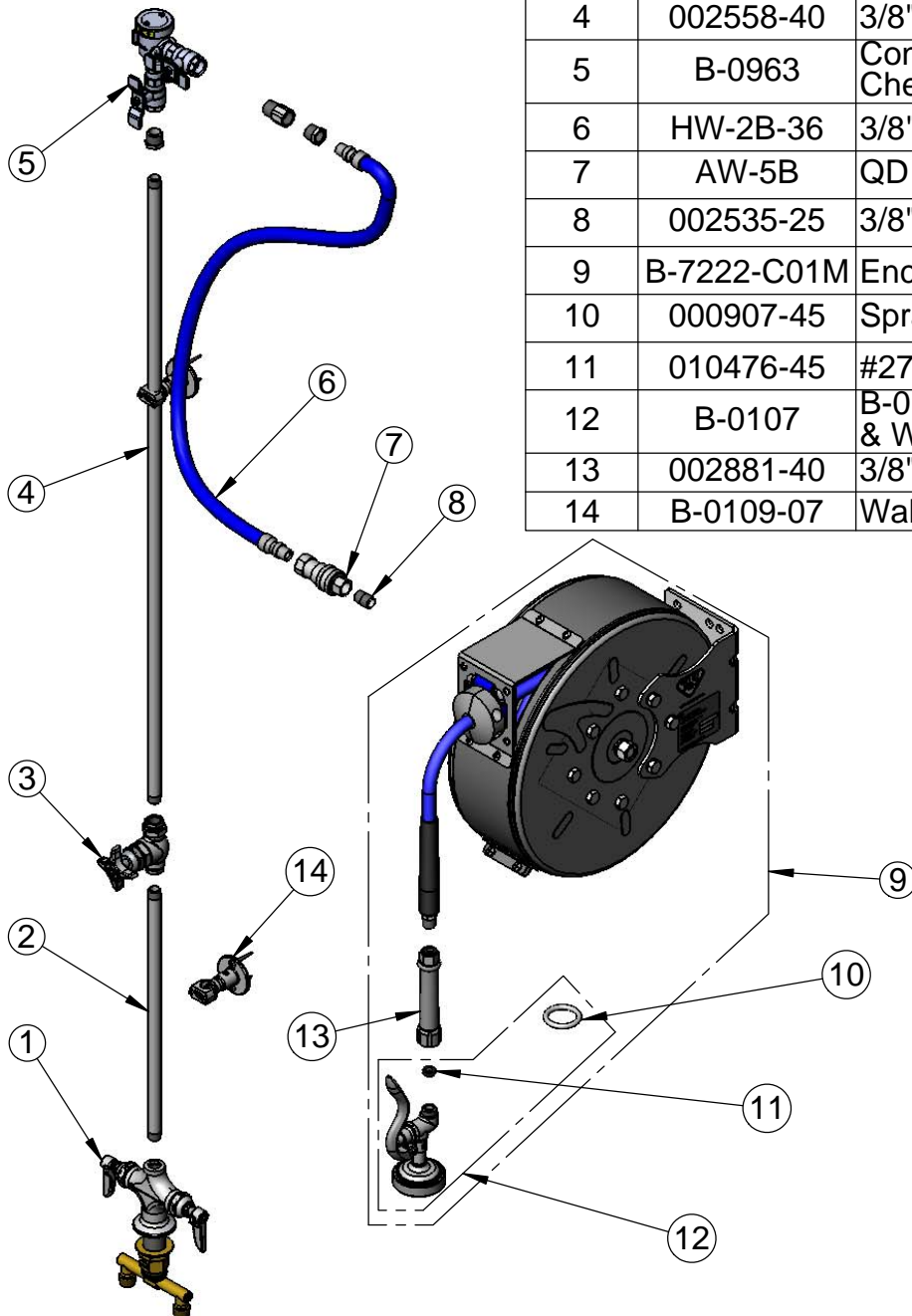
Model No.

**B-1457**

Item No.

Travelers Rest, SC: 800-476-4103 • Simi Valley, CA: 800-423-0150 • Fax: 864-834-3518 • www.tsbrass.com

ITEM NO.	SALES NO.	DESCRIPTION
1	002824-40	Double Pantry Mixing Faucet w/ Spreader
2	000368-40	Nipple, 3/8" x 16"
3	0RK3	Valve Control
4	002558-40	3/8" NPT x 40" Riser
5	B-0963	Continuous Pressure VB w/ Integral Check Valve
6	HW-2B-36	3/8" NPT x 36" Flex Water Hose
7	AW-5B	QD Water Socket/Plug 3/8" Brass
8	002535-25	3/8" Close Nipple
9	B-7222-C01M	Enclosed Coated Reel 30' of 3/8" Hose
10	000907-45	Spray Valve Hold Down Ring
11	010476-45	#27 Washer
12	B-0107	B-0107 Spray Valve w/ Hold Down Ring & Washer
13	002881-40	3/8" NPT Gray Handle Assembly
14	B-0109-07	Wall Bracket



Product Specifications:  
Epoxy Coated Enclosed Hose Reel w/ 30 Ft Hose,  
B-0107, Vac Breaker, Check Valves, 3/8" NPT Flex  
Connector Asm, Single Hole Faucet, & Control Valve in Riser

Drawn	Checked	Approved
JRM	KJG	JHB
Scale:	Date:	
NTS	04/13/12	