



T&S BRASS AND BRONZE WORKS, INC.

2 Saddleback Cove / P.O. Box 1088
Travelers Rest, SC 29690



REG. #A2601
ISO #9001

Model No.

B-1459

Item No.

Travelers Rest, SC: 800-476-4103 Simi Valley, CA: 800-423-0150 Fax: 864-834-3518 www.tsbrass.com

This Space for Architect/Engineer Approval

Job Name _____ Date _____

Model Specified _____ Quantity _____

Customer/Wholesaler _____

Contractor _____

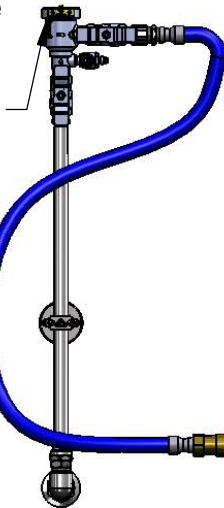
Architect/Engineer _____

EPAct2005 Non-Compliant

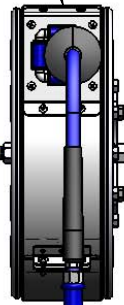


B-CVH1-2
(2) Check Valves
Included

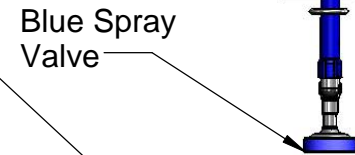
B-0963
Continuous Pressure
Type Vacuum
Breaker w/ Integral
Check Valve



B-7122-C01
Stainless Steel
Hose Reel w/ 30 Ft. Hose



EB-0107
Blue Spray
Valve

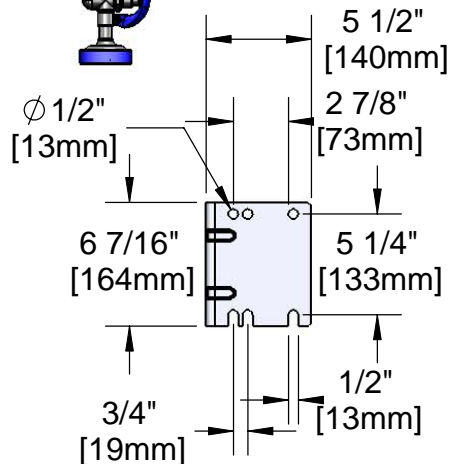
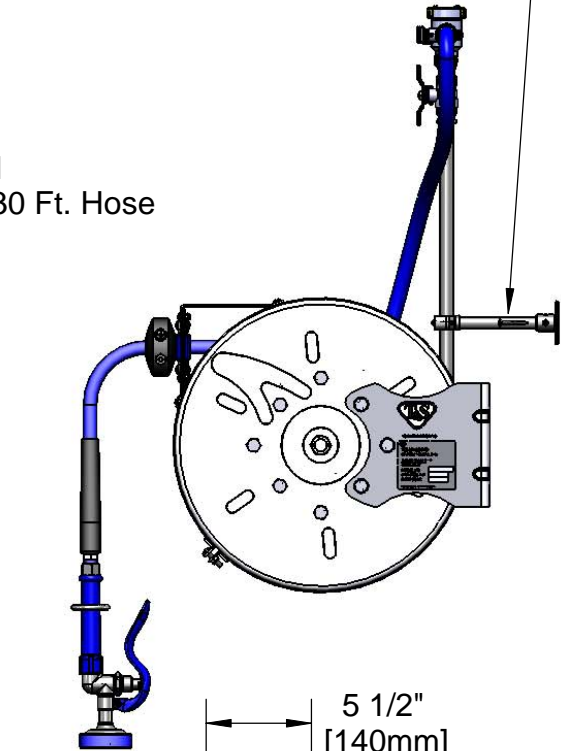


HW-4B-36
3/8" NPT x 36"
Flexible Water
Connector To Hose Reel

B-0512
Mixing Faucet
3" c/c Mounting
Required
4-Arm Handles
w/ Color-Coded
Indexes



B-0109-01
Wall Bracket



Product Specifications:

Stainless Steel Enclosed Hose Reel w/ 30 Ft Hose,
EB-0107, Vac Breaker, Check Valves, 3/8" NPT Flex
Connector Asm, 3" c/c Wall Mount Mixing Valve

Drawn
JRM

Checked
DMH

Approved
JHB

Scale:

NTS

Date:

11/02/09



T&S BRASS AND BRONZE WORKS, INC.

2 Saddleback Cove / P.O. Box 1088
Travelers Rest, SC 29690



REG. #A2601
ISO #9001

Model No.

B-1459

Item No.

Travelers Rest, SC: 800-476-4103 Simi Valley, CA: 800-423-0150 Fax: 864-834-3518 www.tsbrass.com

ITEM NO.	SALES NO.	DESCRIPTION
1	B-0512	B-0512 Mixing Faucet
2	B-0963	B-0963 Vacuum Breaker
3	B-7122-C01	Enclosed SS Reel w/ 30' of 3/8" Hose w/ EB-0107 Spray Valve & Handle
4	002535-25	3/8" Close Nipple
5	EB-0107	Blue Spray Valve w/ Hold Down Ring
6	B-0109-01	Bracket Assembly, 6" Wall
7	HW-2B-36	3/8" NPT x 36" Flex Water Hose
8	AW-5B	3/8" NPT Quick Connect
9	000907-45	Hold Down Ring
10	010476-45	#27 Washer
11	B-CVH1-2	1/2" Check Valve
12	ORK-SK	Hose Reel Connector Kit

Product Specifications: Stainless Steel Enclosed Hose Reel w/ 30 Ft Hose, EB-0107, Vac Breaker, Check Valves, 3/8" NPT Flex Connector Asm, 3" c/c Wall Mount Mixing Valve	Drawn	Checked	Approved
	JRM	DMH	JHB
	Scale:	Date:	
	NTS	11/02/09	